

XXV

CATALOGUE



ENKO

GROUP

SMART SYSTEMS FOR DESIGN INTERIORS



Shaws Shaker Sink

CONTENTS

ABOUT ENKO 3

1
HANDLES 15

2
DRAWER AND
RUNNER SYSTEMS 61

3
STORAGE SYSTEMS 81

4
BIN SYSTEMS 127

5
CABINET
COMPONENTS 141

6
HINGES & DOOR
CONTROL 163


7
ALUMINIUM
FRAME DOORS 177

8
SHAWS BUTLER
SINKS 181

INDEX 190



GET IN TOUCH WITH US

 Enko Group Ltd
14 Winger Crescent,
Kamo, Whangarei 0112
New Zealand

 0508 365 674

 sales@enko.nz

 www.enko.nz

FOLLOW US   

Enko Group is committed to the ongoing development, manufacture and sourcing of high quality, innovative and smarter hardware and fittings.

As a New Zealand family-owned business, since 2007, we've been passionately curated our range of Smart Systems for Design Interiors from around the world, inspired to bring style and function to New Zealand kitchens and living spaces.

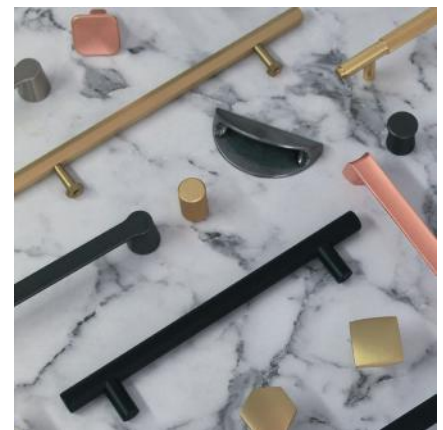
We have a wide range of contemporary and stylish solutions to solve any design challenge. Our smart systems are made from high-quality materials and backed up by our friendly customer service, well-stocked warehouses and our ten-year warranty. We manufacture here in NZ and source from leading international brands in Italy, Belgium, the UK, Australia and Asia. Over the following pages, it is our pleasure to introduce the products we stock and the brands we work with.

We are very excited about our new catalogue - we hope you find it helpful, and we look forward to working with you as your first choice supplier of Smart Systems for your Design Interiors.

We've also made it simple to find what you require on our website www.enko.nz, and don't worry, we are always on hand to answer your questions and discuss your project requirements - give us a call today.

Talk soon.

The Team at Enko



OUR SUPPLIERS

Metakor No. 253 Buffer Handle



Metakor, settled in Kortrijk, a Belgian city in the Flemish province of West Flanders. Kortrijk is the capital and largest city of the judicial and administrative arrondissement of Kortrijk and is around 1 hour from Brussels.

Metakor is one of the leading European companies designing and manufacturing decorative furniture fittings. They have interpreted market needs and influential trends for two generations to create technically advanced and affordable products. They believe it is important to combine ease of use and elegance to bring successful furniture to the next level.

Metakor exports to more than 30 countries worldwide, giving them a wide lens on trends and markets.



OUR SUPPLIERS



Sige Proline Pantry



SIGE SPA was established in 1969 and is one of Italy's leading manufacturers of kitchen wireware.

They are based at Polverigi in the green of the Marche countryside in Northern Italy, a short drive away from the beautiful city of Ancona on Italy's Adriatic coast.

SIGE SPA produces high-quality products born to reinvent functional and original spaces. Thanks to continuous research in design and new technologies and rigorous testing during production, SIGE can guarantee unique precision, innovation, efficiency and durability.

SIGE's designers have focused on ergonomic design, functionality and aesthetics in developing a wide range of pull-outs and wireware for today's kitchen.

Attention to the environment and energy saving with minimised waste from production, ISO 9001, ISO 14001, BS OHSAS18001, and FSC certifications confirm these commitments and testify to the socially responsible approach that the company adopts towards its employees and its territory. Choosing SIGE means pairing experience with innovation, passion for quality and the desire to create something unique.



OUR SUPPLIERS



Featuring the Volpato Gola Extrusion Handle



Volpato Industrie is an Italian company founded in 1974, designing and manufacturing components for the furniture industry.

They are located in Spresiano, in the Province of Treviso, about 40 kilometres north of Venice. Guided by the strong will to make a difference and improve the environment, Volpato Industrie has a sustainable development strategy founded on the principles of using energy from renewable sources in highly efficient productions lines, on committing to the use of recycled raw materials and on managing water to reduce its environmental impact. Today Volpato Industrie is supplying over 1500 customer's in 63 countries worldwide, always with the same flexibility and continuous technological improvement which has always been its trademark.



OUR SUPPLIERS





Since 1980 Vibo has been producing metal wire accessories. Founded in Arzignano in the province of Vicenza in Northern Italy, Vibo is now present in about 70 countries worldwide, understanding the specific peculiarity of the markets, their varied needs and developing new solutions for each.

Their tagline is "Design your space". Since their early beginnings, they have followed, studied and anticipated trends in their field, integrating customer vision and design trends with function to create aesthetically harmonising kitchen solutions.



OUR SUPPLIERS



Gollinucci Sous Chef



Gollinucci is headquartered and has its manufacturing base in Cesena, a city in the Emilia-Romagna region.

They design and manufacture furnishing accessories to make your life easier; highly functional objects with top-class design, following the continuous improvement model of processes and products through progressive improvement. Gollinucci works with well-known Italian designers to create long-lasting products with a touch of Italian design.

Gollinucci are committed to developing a business in favour of environmental sustainability, and they are constantly looking for increasingly innovative methods and initiatives to integrate green practices within the company.

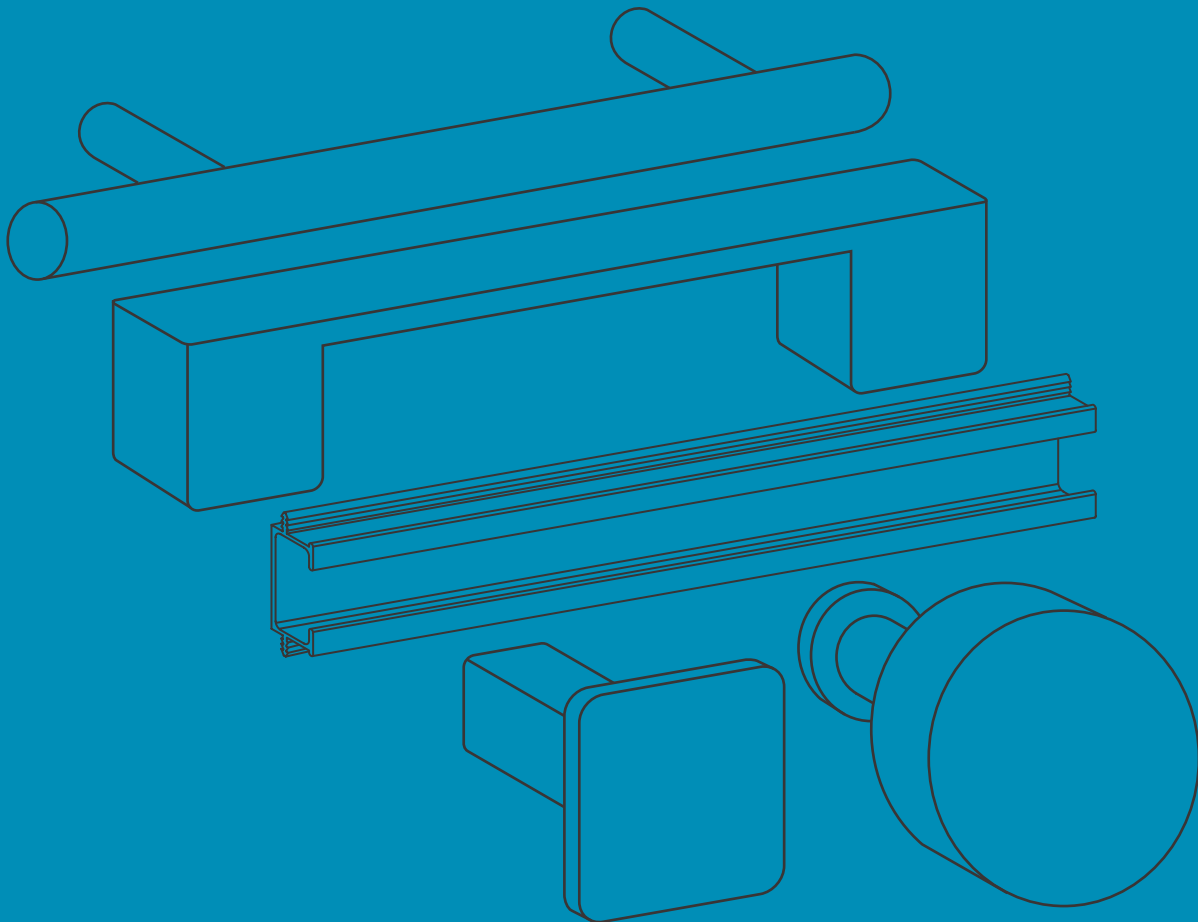




1

HANDLES

D HANDLES	16	KNOBS	42
BOW HANDLES	30	EXTRUSION	49
PULL HANDLES	33	HANDLE FREE	
DROP HANDLES	41	COLLECTION	



D HANDLES

D HANDLES

NO. 15 CRANBROOK

FINISH
BORB-Brushed ORB
GP-Gold

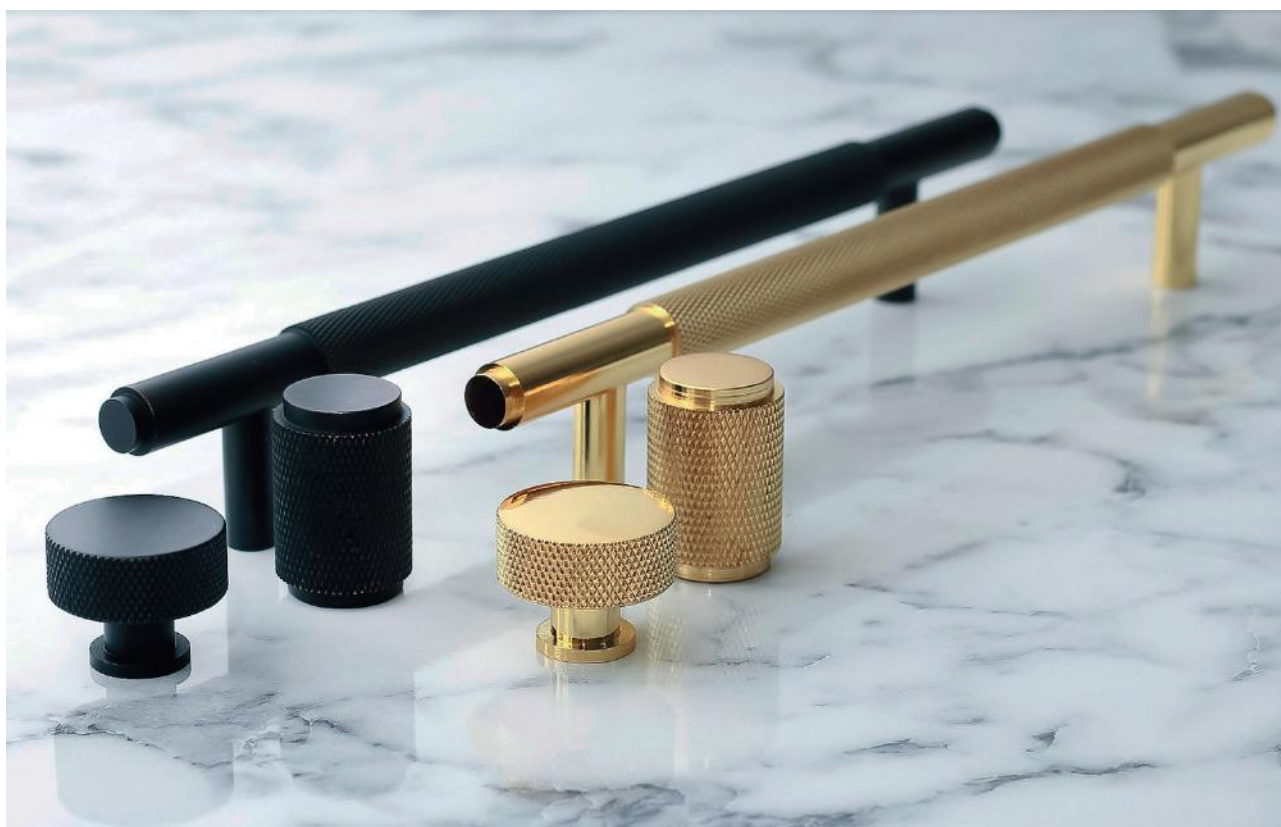
MATERIAL
Steel

CODE
15.Finish.Hole Centres



Hole Centres	Length	Width	Height
128	180	12	32
160	212	12	32
224	276	12	32
320	371	12	32

AUSTRAL
Collection



See matching knob's on page 42



D HANDLES

NO. 16 WENTWORTH

FINISH
MBR-Matte Brass

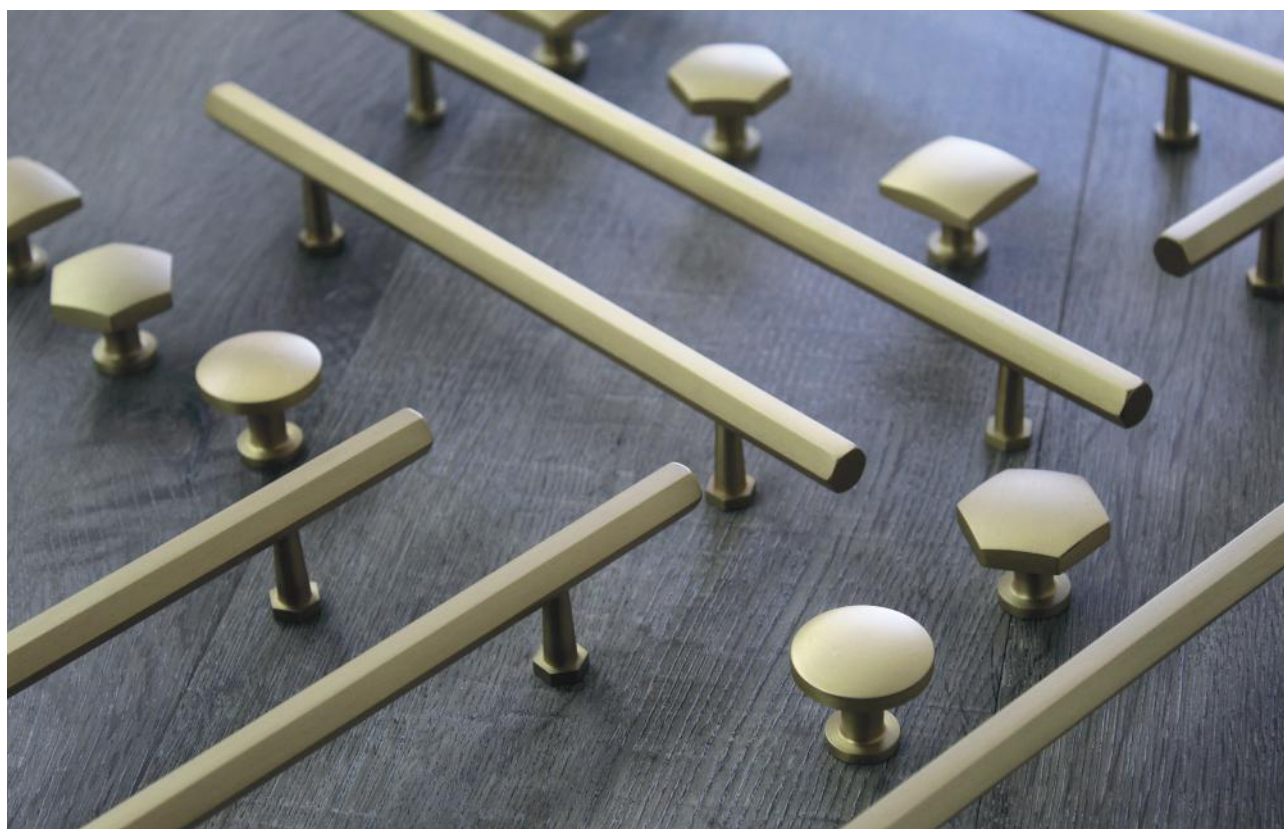
MATERIAL
Solid Brass

CODE
16.Finish.Hole Centres



Hole Centres	Length	Width	Height
160	240	12	34
320	400	12	34

AUSTRAL
Collection



See matching knob's on page 43



D HANDLES

D HANDLES

NO. 23

FINISH
BN-Brushed Nickel
SC-Satin Chrome

MATERIAL
Aluminium/Zinc Alloy

CODE
23.Finish.Hole Centres



AUSTRAL
Collection

Hole Centres	Length	Width	Height	Finish
160	170	10	34	SC Only
200	210	10	34	All
300	310	10	34	BN Only
320	330	10	34	SC Only

NO. 83

FINISH
BK-Black
BN-Brushed Nickel
SC-Satin Chrome

CODE
83.Finish.Hole Centres

MATERIAL
Zinc Alloy



AUSTRAL
Collection

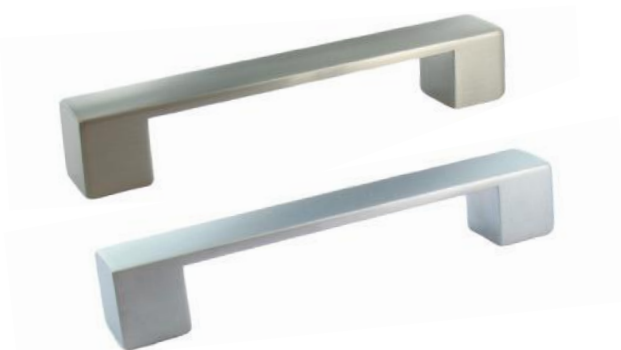
Hole Centres	Length	Width	Height
96	120	8	28
128	150	8	28
160	189	8	28
256	288	8	28
320	357	8	28

NO. 85

FINISH
BN-Brushed Nickel
SC-Satin Chrome

MATERIAL
Zinc Alloy

CODE
85.Finish.Hole Centres



AUSTRAL
Collection

Hole Centres	Length	Width	Height
128	162	24	27
192	226	24	27

NO. 95

FINISH
BN-Brushed Nickel
SC-Satin Chrome

MATERIAL
Zinc Alloy

CODE
95.Finish.Hole Centres



AUSTRAL
Collection

Hole Centres	Length	Width	Height
128	158	15	29
160	190	15	29

D HANDLES

NO. 96

FINISH
BK-Black
BN-Brushed Nickel
SC-Satin Chrome

CODE
96.Finish.Hole Centres

MATERIAL
Zinc Alloy



A | AUSTRAL
Collection

Hole Centres	Length	Width	Height
128	145	12	31
288	300	12	31

NO. 97

FINISH
BN-Brushed Nickel

MATERIAL
Zinc Alloy

CODE
M97.Finish.Hole Centres



METAKOR[®]
DESIGNED FOR HANDS

Hole Centres	Length	Width	Height
128	169	10	22
160	200	10	22

NO. 132

FINISH
AA-Anodised
Aluminium
BN-Brushed Nickel

CODE
132.Finish.Hole Centres

MATERIAL
Aluminium



A | AUSTRAL
Collection

Hole Centres	Length	Width	Height	Finish
96	104	16	32	BN Only
128	136	16	32	All
160	168	16	32	All
288	296	16	32	All
448	456	16	32	All

NO. 137

FINISH
BN-Brushed Nickel
SC-Satin Chrome

MATERIAL
Zinc Alloy

CODE
137.Finish.Hole Centres



A | AUSTRAL
Collection

Hole Centres	Length	Width	Height
96	103	12	26
128	135	12	26
160	167	12	26
256	263	16	28

D HANDLES

D HANDLES

NO. 138

FINISH

BK-Black
BN-Brushed Nickel
SC-Satin Chrome

CODE

138.Finish.Hole Centres

MATERIAL

Zinc Alloy



AUSTRAL
Collection

Hole Centres	Length	Width	Height
160	176	14	29

NO. 141

FINISH

BN-Brushed Nickel
SC-Satin Chrome

CODE

141.Finish.Hole Centres

MATERIAL

Zinc Alloy



AUSTRAL
Collection

Hole Centres	Length	Width	Height
128	140	8	30
192	206	8	30

NO. 145

FINISH

BN-Brushed Nickel
SC-Satin Chrome

MATERIAL

Aluminium Alloy

CODE

145.Finish.Hole Centres



AUSTRAL
Collection

Hole Centres	Length	Width	Height	Finish
96	104	20	30	BN
128	136	20	30	SC Only
192	199	20	30	All

NO. 147

FINISH

BN-Brushed Nickel
SC-Satin Chrome

MATERIAL

Aluminium Alloy

CODE

147.Finish.Hole Centres



AUSTRAL
Collection

Hole Centres	Length	Width	Height	Finish
128	135	21	26	BN Only
160	167	21	29	All

D HANDLES

NO. 174

FINISH
SS-Stainless Steel

MATERIAL
304 Stainless Steel

CODE
174.Finish.Hole Centres



A | AUSTRAL
Collection

Hole Centres	Length	Width	Height
128	138	20	35
160	170	20	35
224	234	20	35
320	330	20	35
512	522	20	35

NO. 175

FINISH
SS-Stainless Steel

MATERIAL
304 Stainless Steel

CODE
175.Finish.Hole Centres



A | AUSTRAL
Collection

Hole Centres	Length	Width	Height
96	106	10	30
128	136	10	30
160	170	10	30
192	202	10	30
224	234	10	30
256	266	10	30
320	330	10	30
448	458	10	30
650	660	10	30

NO. 176

FINISH
SS-Stainless Steel

MATERIAL
304 Stainless Steel

CODE
176.Finish.Hole Centres

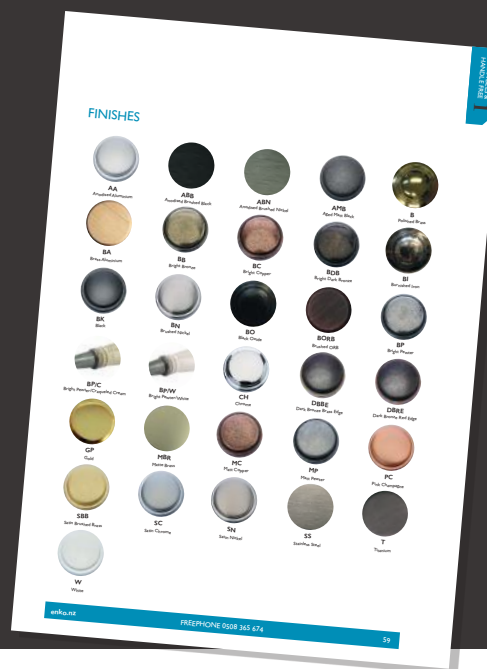


A | AUSTRAL
Collection

Hole Centres	Length	Width	Height
96	106	10	30
128	138	10	30
160	170	10	30
224	234	10	30
320	330	10	30

DID YOU KNOW?

You can view all our handle finishes on page 59



D HANDLES

D HANDLES

NO. 189 RECIFE

FINISH

BK-Black
BN-Brushed Nickel
CH-Chrome
W-White

CODE

M189.Finish.Hole Centres

MATERIAL

Zinc Alloy



Hole Centres	Length	Width	Height	Finish
128	137	20	28	BN,CH
160	169	20	28	All
192	201	20	28	BN,CH
224	233	20	28	All
320	329	20	30	All
448	457	20	30	BN,CH



Featuring the 189 Recife Handle

D HANDLES

NO. 190 RIO

FINISH
BN-Brushed Nickel

MATERIAL
Zinc Alloy

CODE
M190.Finish.Hole Centres



Hole Centres	Length	Width	Height
128	146	13	39
192	210	13	39
256	274	13	39

NO. 200 LIMOGES

FINISH
BP/W-Bright Pewter/
White

MATERIAL
Zinc Alloy + Porcelain

CODE
M200.Finish.Hole Centres



Hole Centres	Length	Width	Height
128	145	19	33

NO. 203 LIMOGES

FINISH
BP/C-Bright Pewter/
Craqueled Cream

CODE
M203.Finish.Hole Centres

MATERIAL
Zinc Alloy + Porcelain



Hole Centres	Length	Width	Height
128	145	19	33

NO. 206 VICTORIA

FINISH
BP/AMB-Bright Pewter/
Aged Matt Black

MATERIAL
Zinc Alloy + Porcelain

CODE
M206.Finish.Hole Centres



Hole Centres	Length	Width	Height
128	145	19	33

D HANDLES

D HANDLES

NO. 208 CONE

FINISH

BK-Black
BN-Brushed Nickel
AMB-Aged Matt Black
BP-Bright Pewter
MC-Matt Copper

CODE

M208.Finish.Hole Centres

MATERIAL

Zinc Alloy



Hole Centres	Length	Width	Height
160	171	24	26

NO. 210 TELFORD

FINISH

AMB-Aged Matt Black
BP-Bright Pewter
MP-Matt Pewter

CODE

M210.Finish.Hole Centres

MATERIAL

Zinc Alloy



Hole Centres	Length	Width	Height
160	180	20	30
224	244	20	30

NO. 211 KENTUCKY

FINISH

AMB-Aged Matt Black
BP-Bright Pewter
DBBE-Dark Bronze Brass
Edge
DBRE-Dark Bronze Red
Edge
MP-Matt Pewter

CODE

M211.Finish.Hole Centres

MATERIAL

Zinc Alloy



Hole Centres	Length	Width	Height
160	180	25	25
192	212	25	25

D HANDLES

NO. 212 DERBY

FINISH

- AMB-Aged Matt Black
- BP-Bright Pewter
- MP-Matt Pewter

CODE

M212.Finish.Hole Centres

MATERIAL

Zinc Alloy



Hole Centres	Length	Width	Height
128	164	25	22



NO. 213 OVAL

FINISH

- BK-Black
- CH-Chrome
- AMB-Aged Matt Black
- BC-Bright Copper
- BDB-Bright Dark Bronze
- BP-Bright Pewter
- MC-Matt Copper

CODE

M203.Finish.Hole Centres

MATERIAL

Zinc Alloy



Hole Centres	Length	Width	Height
160	168	22	28

D HANDLES

D HANDLES

NO. 220 BONES

FINISH

AMB-Aged Matt Black
BP-Bright Pewter
MP-Matt Pewter

CODE

M220.Finish.Hole Centres

MATERIAL

Zinc Alloy



Hole Centres	Length	Width	Height
128	200	33	29

NO. 221 PINOT

FINISH

AMB-Aged Matt Black
BP-Bright Pewter
MP-Matt Pewter

CODE

M221.Finish.Hole Centres

MATERIAL

Zinc Alloy



Hole Centres	Length	Width	Height
128	167	25	29

NO. 227 CONCEPCION

FINISH

AMB-Aged Matt Black
BB-Bright Bronze
BP-Bright Pewter

CODE

M227.Finish.Hole Centres

MATERIAL

Zinc Alloy



Hole Centres	Length	Width	Height
128	174	25	26
160	206	28	25

NO. 228 MEZZO

FINISH

BB-Bright Bronze
BP-Bright Pewter

MATERIAL

Zinc Alloy + Steel

CODE

M228.Finish.Hole Centres



Hole Centres	Length	Width	Height	Finish
160	186	12	36	All
192	218	12	36	All
224	250	12	36	All
256	282	12	36	All
320	346	12	36	All
416	442	12	36	BP Only

Can also be supplied at custom lengths up to 800mm

D HANDLES

NO. 230 NECK

FINISH

BK-Black
SBB-Satin Brushed Brass
PC-Pink Champagne
SN-Satin Nickel
MC-Matt Copper

CODE

M230.Finish.Hole Centres

MATERIAL

Zinc Alloy



Hole Centres	Length	Width	Height
160	172	12	33
320	332	12	33

NO. 231 BLADE

FINISH

SBB-Satin Brushed Brass
SN-Satin Nickel
AMB-Aged Matt Black
BP-Bright Pewter

CODE

M231.Finish.Hole Centres

MATERIAL

Zinc Alloy



Hole Centres	Length	Width	Height
160	180	20	30
320	340	20	30

NO. 232 CASTLE

FINISH

DBBE-Dark Bronze Brass
Edge
DBRE-Dark Bronze Red
Edge

CODE

M232.Finish.Hole Centres

MATERIAL

Zinc Alloy



Hole Centres	Length	Width	Height
160	183	28	36

NO. 241 PRONTO

FINISH

BK-Black
BN-Brushed Nickel
SBB-Satin Brushed Brass
PC-Pink Champagne
W-White

CODE

M241.Finish.Hole Centres

MATERIAL

Zinc Alloy



Hole Centres	Length	Width	Height	Finish
128	134	10	30	BK,BN,W
160	166	10	30	All

D HANDLES

D HANDLES

NO. 244 STRETCH

FINISH

BK-Black
W-White

MATERIAL

Zinc Alloy

CODE

M244.Finish.Hole Centres



Hole Centres	Length	Width	Height
160	169	8	28
320	328	8	28

NO. 247 ANGUS

FINISH

BN-Brushed Nickel
SC-Satin Chrome

MATERIAL

Zinc Alloy

CODE

M247.Finish.Hole Centres



Hole Centres	Length	Width	Height
128	138	10	30
160	170	10	30

NO. 252 BUFFER

FINISH

BK-Black
BN-Brushed Nickel
T-Titanium
AMB-Aged Matt Black
BP-Bright Pewter

CODE

M252.Finish.Hole Centres

MATERIAL

Zinc Alloy



Hole Centres	Length	Width	Height
160	180	22	25



See matching knobs on page 47



D HANDLES

NO. 261 SCOOP

FINISH

- BK-Black
- PC-Pink Champagne
- SBB-Satin Brushed Brass
- AMB-Aged Matt Black
- MP-Matt Pewter

CODE

M261.Finish.Hole Centres

MATERIAL

Zinc Alloy



Hole Centres	Length	Width	Height
160	180	15	26
320	340	15	26



See matching knobs on pages 47



NO. 263 QUILT

FINISH

- BA-Brass Aluminium
- ABB-Anodised Brushed Black

CODE

M263.Finish.Hole Centres

MATERIAL

Aluminium



Hole Centres	Length	Width	Height	Finish
160	220	14	36	All
224	285	14	36	ABB Only
320	380	14	36	All



See matching knobs on page 48



BOW HANDLES

BOW HANDLES

NO. 11

FINISH
SC-Satin Chrome

MATERIAL
Zinc Alloy

CODE
11.Finish.Hole Centres



AUSTRAL
Collection

Hole Centres	Length	Width	Height
128	164	15	32

NO. 30

FINISH
BK-Black

MATERIAL
Zinc Alloy

CODE
30.Finish.Hole Centres



AUSTRAL
Collection

Hole Centres	Length	Width	Height
96	121	9.5	28

NO. 32

FINISH
BN-Brushed Nickel
SC-Satin Chrome

MATERIAL
Zinc Alloy

CODE
32.Finish.Hole Centres



AUSTRAL
Collection

Hole Centres	Length	Width	Height
96	112	10	28

NO. 35

FINISH
BN-Brushed Nickel
SC-Satin Chrome

MATERIAL
Zinc Alloy

CODE
35.Finish.Hole Centres



AUSTRAL
Collection

Hole Centres	Length	Width	Height
128	146	12	12

BOW HANDLES

NO. 69

FINISH
BN-Brushed Nickel
SC-Satin Chrome

CODE
69.Finish.Hole Centres

MATERIAL
Zinc Alloy



A | AUSTRAL
Collection

Hole Centres	Length	Width	Height
96	108	15	32
128	332	15	32

NO. 71

FINISH
BN-Brushed Nickel
SC-Satin Chrome

CODE
71.Finish.Hole Centres

MATERIAL
Zinc Alloy



A | AUSTRAL
Collection

Hole Centres	Length	Width	Height
128	150	14	25
192	224	14	28

NO. 110

FINISH
AA-Anodised Aluminium
BK-Black
BN-Brushed Nickel

CODE
110.Finish.Hole Centres

MATERIAL
Aluminium



A | AUSTRAL
Collection

Hole Centres	Length	Width	Height	Finish
160	190	20	31	All
224	262	20	31	All
320	373	20	31	All
480	554	20	31	AA,BN



Featuring the 110 Handle

BOW HANDLES

BOW HANDLES

NO. 133

FINISH
BN-Brushed Nickel
SC-Satin Chrome

CODE
133.Finish.Hole Centres

MATERIAL
Zinc Alloy



AUSTRAL
Collection

Hole Centres	Length	Width	Height
128	176	24	35

NO. 144

FINISH
BN-Brushed Nickel
SC-Satin Chrome

CODE
144.Finish.Hole Centres

MATERIAL
Zinc Alloy



METAKOR[®]
DESIGNED FOR HANDS

Hole Centres	Length	Width	Height	Finish
96	108	14	25	All
128	140	14	25	BN Only

NO. 185 GENEVA

FINISH
BN-Brushed Nickel

MATERIAL
Zinc Alloy

CODE
M185.Finish.Hole Centres



METAKOR[®]
DESIGNED FOR HANDS

Hole Centres	Length	Width	Height
160	226	20	31
224	290	20	31
288	354	20	31

NO. 240 RIALTO

FINISH
BK-Black
BN-Brushed Nickel
SN-Satin Nickel
W-White

CODE
M240.Finish.Hole Centres

MATERIAL
Zinc Alloy



METAKOR[®]
DESIGNED FOR HANDS

Hole Centres	Length	Width	Height
160	241	9	26
320	385	9	26

PULL HANDLES

NO. 47

FINISH
BI-Burnished Iron
B-Polished Brass

MATERIAL
Brass

CODE
47.Finish.Hole Centres



AUSTRAL
Collection

Hole Centres	Length	Width	Height
76	90	43	23

Supplied with matching slotted fixing screws

NO. 48

FINISH
BI-Burnished Iron
B-Polished Brass

MATERIAL
Brass

CODE
48.Finish.Hole Centres



AUSTRAL
Collection

Hole Centres	Length	Width	Height
74	85	40	24
83	98	40	20

Supplied with matching slotted fixing screws

NO. 152

FINISH
AA-Anodised Aluminium
CH-Chrome

CODE
152.Finish.Hole Centres

MATERIAL
Aluminium



Rear Fixing Trim Handle

AUSTRAL
Collection

Length	Width	Thickness	Finish
50	42	2.5	AA Only
100	42	2.5	CH Only
200	42	2.5	AA Only
400	42	2.5	CH Only

NO. 154

FINISH
SC-Satin Chrome

MATERIAL
Aluminium

CODE
154.Finish.Hole Centres



Rear Fixing Recessed Pull Handle

AUSTRAL
Collection

Hole Centres	Length	Width	Height
160	174	11	34

PULL HANDLES

PULL HANDLES

NO. 178

FINISH
SS-Stainless Steel

MATERIAL
304 Stainless

CODE
178.Finish.Hole Centres



Rear Fixing Trim Handle

AUSTRAL
Collection

Hole Centres	Length	Width	Height
96	128	40	10
192	224	40	10
320	352	40	10



Featuring the 188 Prisma Handle

NO. 188 PRISMA

FINISH
BK-Black
BN-Brushed Nickel
W-White

CODE
M188.Finish.Hole Centres

MATERIAL
Zinc Alloy



Rear Fixing

Hole Centres	Length	Width	Height	Finish
32	60	60	23	All
128	144	40	22	BN Only
192	208	40	22	All
320	336	40	22	BN Only

METAKOR
DESIGNED FOR HANDS

PULL HANDLES

NO. 191 VIENNA

FINISH
BN-Brushed Nickel

MATERIAL
Zinc Alloy

CODE
M191.Finish.Hole Centres



Rear Fixing



Hole Centres	Length	Width	Height
64	114	22	24
128	220	22	24
224	441	22	24

NO. 195 MEMPHIS

FINISH
BK-Black
BN-Brushed Nickel
W-White

CODE
M195.Finish.Hole Centres

MATERIAL
Zinc Alloy



Rear Fixing



Hole Centres	Length	Width	Height
32	56	31	20
160	200	31	20



Featuring the 195 Memphis Handle

PULL HANDLES

PULL HANDLES

NO. 197 CORSICA

FINISH

- BK-Black
- BN-Brushed Nickel
- CH-Chrome
- AMB-Aged Matt Black
- BP-Bright Pewter
- MP-Matt Pewter

CODE

M197.Finish.Hole Centres

MATERIAL

Zinc Alloy



Rear Fixing



Hole Centres	Length	Width	Height
64	95	22	30

NO. 198 SHELL

FINISH

- AMB-Aged Matt Black
- BP-Bright Pewter
- MP-Matt Pewter

CODE

M198.Finish.Hole Centres

MATERIAL

Zinc Alloy



Rear Fixing



Hole Centres	Length	Width	Height
64	92	26	21

NO. 238 MERCURE

FINISH

- ABB-Anodised Brushed Black
- ABN-Anodised Brushed Nickel

CODE

M238.Finish.Hole Centres

MATERIAL

Aluminium



Rear Fixing Trim Handle



Hole Centres	Length	Width	Height
90	130	40	18
250	350	40	18
2x225	550	40	18

PULL HANDLES

NO. 239 ZEPHIR

FINISH

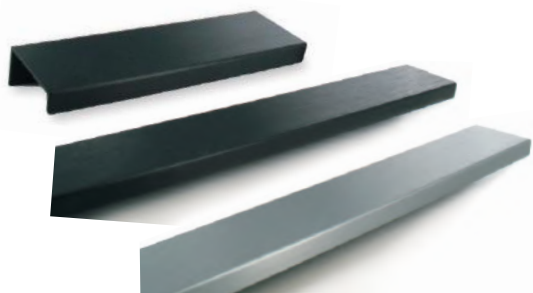
ABB-Anodised Brushed Black
ABN-Anodised Brushed Nickel

CODE

M239.Finish.Hole Centres

MATERIAL

Aluminium



Rear Fixing Trim Handle



Hole Centres	Length	Width	Height
90	130	37	10
250	350	37	10
2x225	550	37	10



Featuring the No. 250 Toronto Handle

NO. 250 TORONTO

FINISH

BK-Black
BN-Brushed Nickel
CH-Chrome
W-White
AMB-Aged Matt Black
BB-Bright Bronze
BP-Bright Pewter

CODE

M250.Finish.Hole Centres

MATERIAL

Zinc Alloy



Rear Fixing



Hole Centres	Length	Width	Height
96	120	29	26

PULL HANDLES

PULL HANDLES

NO. 251 STRAIGHT

FINISH

- BK-Black
- BN-Brushed Nickel
- CH-Chrome
- SBB-Satin Brushed Brass
- AMB-Aged Matt Black
- BB-Bright Bronze

- BP-Bright Pewter
- MC-Matt Copper

CODE

M251.Finish.Hole Centres

MATERIAL

Zinc Alloy



Hole Centres	Length	Width	Height
96	104	33	20



Rear Fixing



PULL HANDLES

NO. 260 FRAME

FINISH

- BK-Black
- CH-Chrome
- G-Gold
- W-White
- AMB-Aged Matt Black
- BP-Bright Pewter
- MC-Matt Copper

CODE

M260.Finish.Hole Centres

MATERIAL

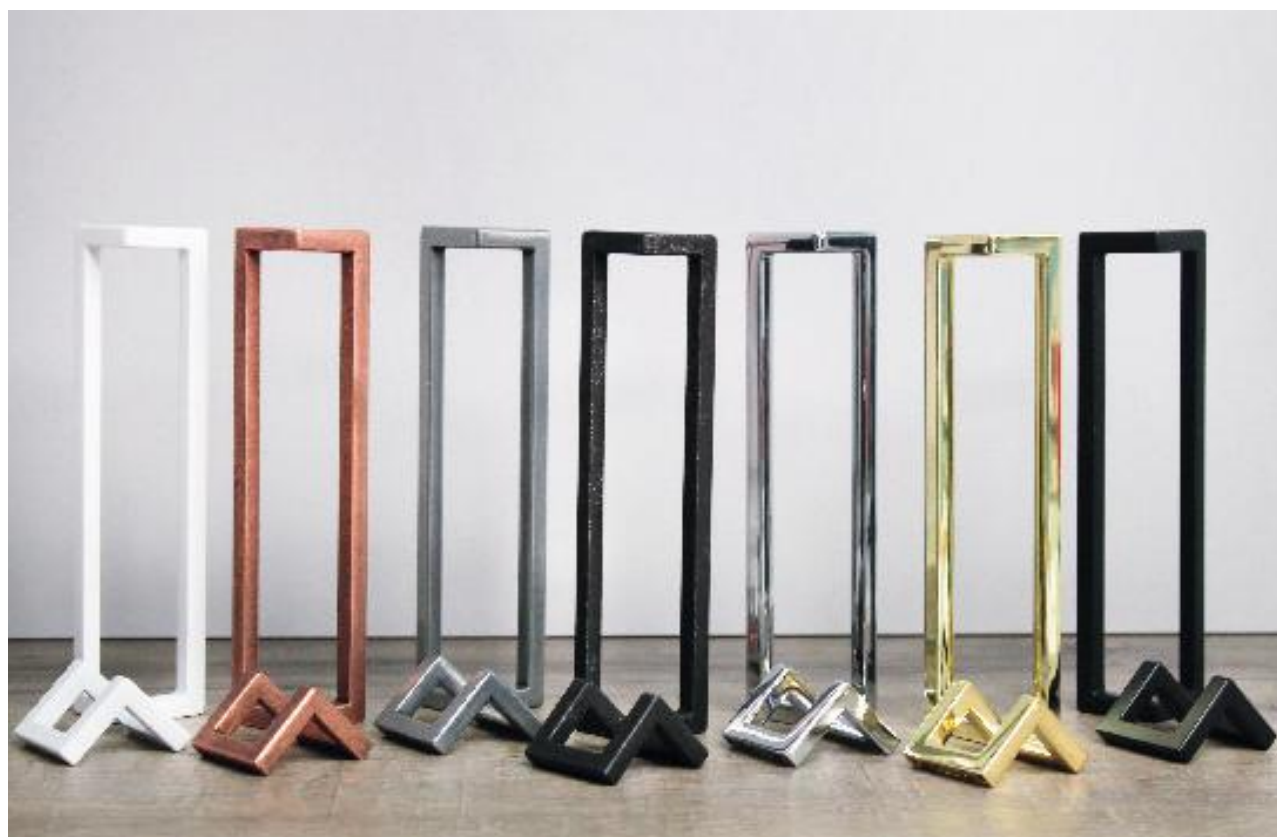
Zinc Alloy



Hole Centres	Length	Width	Height
32	39	32	32
160	167	32	32



Rear Fixing



PULL HANDLES

PULL HANDLES

NO. 262 EMOJIE

FINISH

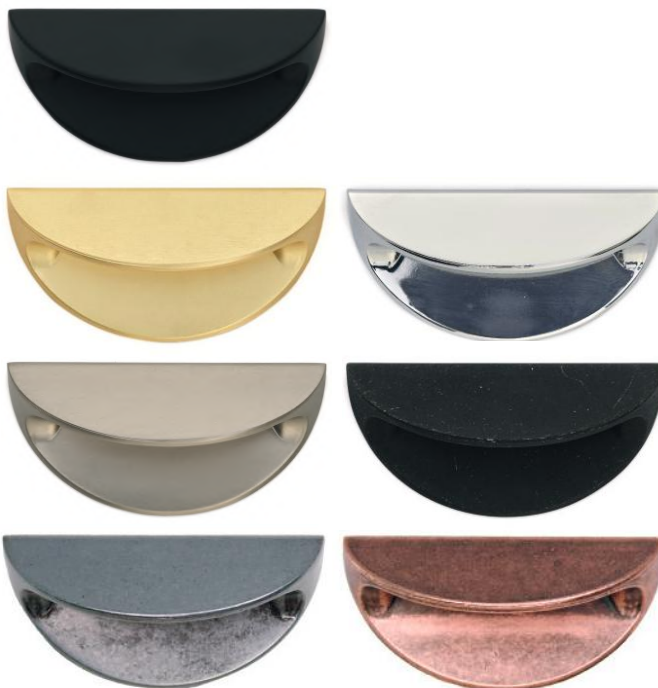
- BK-Black
- CH-Chrome
- SBB-Satin Brushed Brass
- SBN-Satin Brushed Nickel
- AMB-Aged Matt Black
- BP-Bright Pewter
- MC-Matt Copper

CODE

M262.Finish.Hole Centres

MATERIAL

Zinc Alloy



Rear Fixing



Hole Centres	Length	Width	Height
64	77	37	22



DROP HANDLES

DROP HANDLES

NO. 199 LIMOGES

FINISH
BP/W-Bright Pewter/
White

MATERIAL
Zinc Alloy + Porcelain

CODE
M199.Finish.Hole Centres



Hole Centres	Length	Width	Height
192	214	55	27

NO. 202 LIMOGES

FINISH
BP/C-Bright Pewter/
Craqueled Cream

CODE
M202.Finish.Hole Centres

MATERIAL
Zinc Alloy + Porcelain



Hole Centres	Length	Width	Height
192	214	55	27

NO. 205 VICTORIA

FINISH
BP/AMB-Bright Pewter/
Aged Matt Black

MATERIAL
Zinc Alloy + Porcelain

CODE
M205.Finish.Hole Centres



Hole Centres	Length	Width	Height
192	214	55	27

DID YOU KNOW?

You can view all our handle finishes on page 59



KNOBS

KNOBS

NO. 15 CRANBROOK

FINISH

BORB-Brushed ORB
GP-Gold

CODE

I5SK.Finish.Diameter
(Short)
I5TK.Finish.Diameter
(Tall)

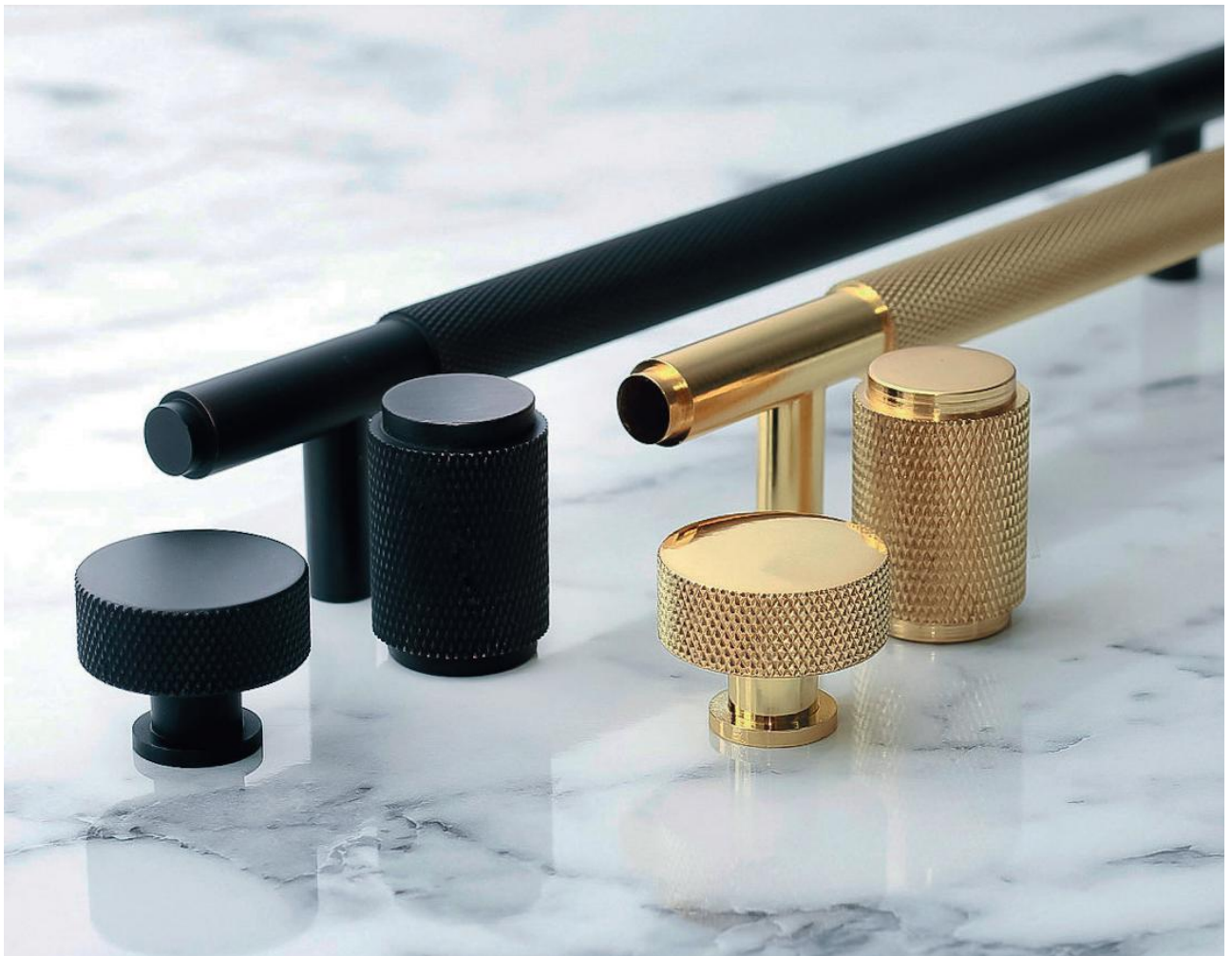
MATERIAL

Steel



Knob Type	Diameter	Height
Short	25	20
Tall	20	30

AUSTRAL
Collection



See matching handle's on page 16

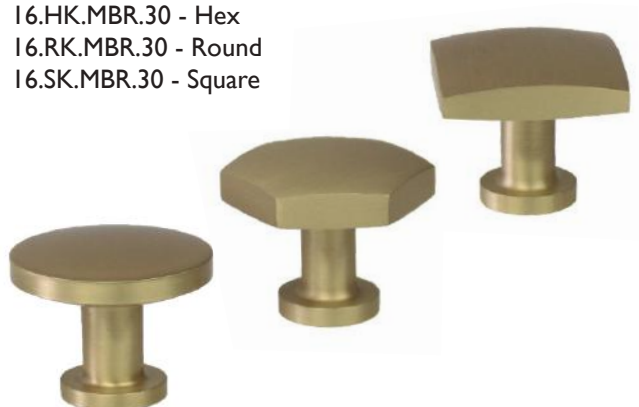
KNOBS

NO. 16 WENTWORTH

FINISH
MBR-Matte Brass

MATERIAL
Solid Brass

CODE
16.HK.MBR.30 - Hex
16.RK.MBR.30 - Round
16.SK.MBR.30 - Square



A | AUSTRAL
Collection

Knob Type	Diameter	Height
Hex	30	27
Round	30	27
Square	30	27



See matching handle's on page 17

NO. 37

FINISH
BO-Black Oxide

MATERIAL
Iron

CODE
37.Finish.Diameter



Diameter	Height
30	31
38	34

A | AUSTRAL
Collection

NO. 39

FINISH
BN-Brushed Nickel
C-Chrome
SC-Satin Chrome
AB-Antique Brass
BI-Burnished Iron
B-Polished Brass

CODE
39.Finish.Diameter

MATERIAL
Brass



A | AUSTRAL
Collection

Diameters	Height	Finish
34	32	All
38	34	BI, SC

KNOBS

KNOBS

NO. 43

FINISH
SC-Satin Chrome

MATERIAL
Brass

CODE
43.Finish.Diameter



Diameter	Height
32	29

AUSTRAL
Collection

NO. 201 LIMOGES

FINISH
BP/WV-Bright Pewter/
White

MATERIAL
Zinc Alloy + Porcelain

CODE
M201.Finish.Diameter



Diameter	Height
90	32

METAKOR
DESIGNED FOR HANDS

NO. 204 LIMOGES

FINISH
BP/C-Bright Pewter/
Craqueled Cream

MATERIAL
Zinc Alloy + Porcelain

CODE
M204.Finish.Diameter



Diameter	Height
90	32

METAKOR
DESIGNED FOR HANDS

NO. 207 VICTORIA

FINISH
BB-Bright Bronze
BDB-Bright Dark Bronze
BP-Bright Pewter
BP/AMB-Bright Pewter/
Aged Matt Black

CODE
M207.Finish.Diameter

MATERIAL
Zinc Alloy



Diameter	Height
32	21

METAKOR
DESIGNED FOR HANDS

KNOBS

NO. 218 BISTRO

FINISH

- BK-Black
- W-White
- AMB-Aged Matt Black
- BP-Bright Pewter
- MC-Matt Copper

CODE

M218.Finish.Diameter

MATERIAL

Zinc Alloy



Diameter	Height
60	32



NO. 221 PINOT

FINISH

- AMB-Aged Matt Black
- BP-Bright Pewter
- MP-Matt Pewter

CODE

M221.Finish.Diameter

MATERIAL

Zinc Alloy



Diameter	Height
30	25



NO. 222 IRIS

FINISH

- AMB-Aged Matt Black
- BP-Bright Pewter
- MP-Matt Pewter

CODE

M222.Finish.Diameter

MATERIAL

Zinc Alloy



Diameter	Height
31	26



KNOBS

KNOBS

NO. 223 PRELUDE

FINISH
BP-Bright Pewter
MP-Matt Pewter

CODE
M223.Finish.Diameter

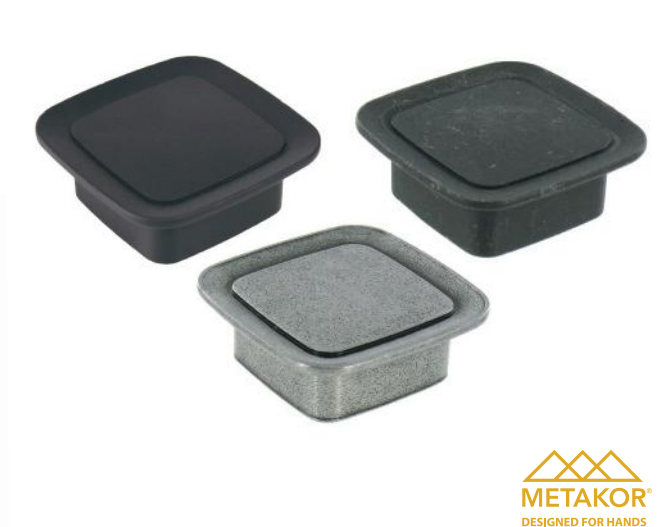
MATERIAL
Zinc Alloy

NO. 224 CARRE

FINISH
BK-Black
AMB-Aged Matt Black
BP-Bright Pewter

CODE
M224.Finish.Hole Centres

MATERIAL
Zinc Alloy



Diameter	Height
40	30



Hole Centres	Length	Width	Height
32	55	55	20



NO. 245 VINTAGE

FINISH
BN-Brushed Nickel
SC-Satin Chrome

CODE
M245.Finish.Hole Centres

MATERIAL
Zinc Alloy

NO. 246 VINTAGE

FINISH
BN-Brushed Nickel

MATERIAL
Zinc Alloy

CODE
M246.Finish.Diameter



Hole Centres	Length	Width	Height
32	50	50	30
64	80	80	33



Diameter	Height
45	30



KNOBS

NO. 253 BUFFER

FINISH

- BK-Black
- BN-Brushed Nickel
- T-Titanium
- AMB-Aged Matt Black
- BP-Bright Pewter

CODE

M253.Finish.Diameter

MATERIAL

Zinc Alloy



Diameter	Height
20	25



See matching handles on page 28

NO. 261 SCOOP

FINISH

- BK-Black
- PC-Pink Champagne
- SBB-Satin Brushed Brass
- AMB-Aged Matt Black
- BP-Bright Pewter

CODE

M261.Finish.Diameter

MATERIAL

Zinc Alloy



Diameter	Height
32	26



See matching handles on page 29

KNOBS

KNOBS

NO. 263 QUILT

FINISH

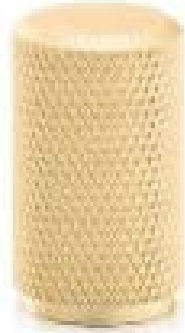
BA-Brass Aluminium
ABB-Anodised Brushed
Black

CODE

M263.Finish.Diameter

MATERIAL

Aluminium



See matching handle on page 29

Diameter	Height
18	30



EXTRUSION HANDLE FREE COLLECTION

CAP-INSTALL

NO. 125A

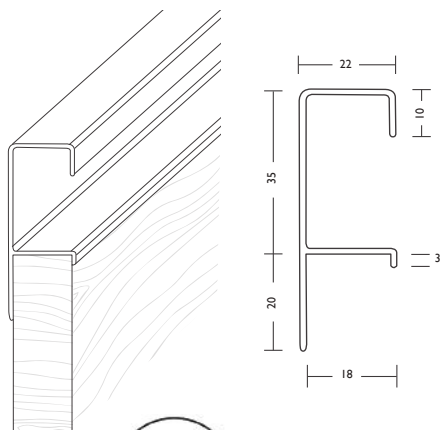
Supplied in 3m Lengths

FINISH
AA-Anodised Aluminium
RAW-Raw Milled

STYLE
C Pull Profile

CODE
125A.Finish

MATERIAL
Aluminium



AUSTRAL
Collection

Rear Fixing

NO. 125B

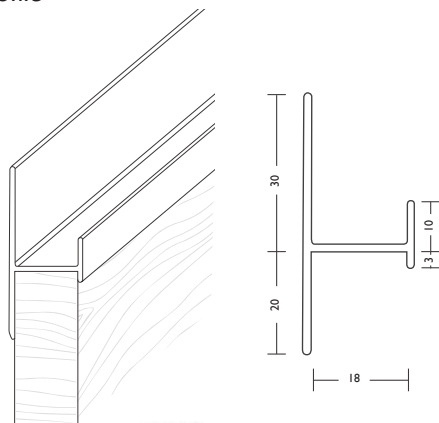
Supplied in 3m Lengths

FINISH
AA-Anodised Aluminium
RAW-Raw Milled

STYLE
L Pull Profile

CODE
125B.Finish

MATERIAL
Aluminium



AUSTRAL
Collection

Rear Fixing

NO. 125C

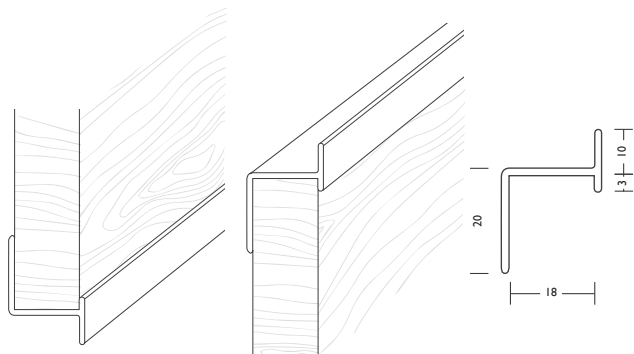
Supplied in 3m Lengths

FINISH
AA-Anodised Aluminium
RAW-Raw Milled

STYLE
Overhead Pull Profile

CODE
125C.Finish

MATERIAL
Aluminium



AUSTRAL
Collection

Rear Fixing

NO. 125D

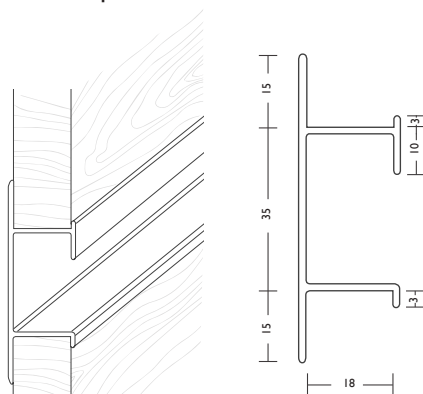
Supplied in 3m Lengths

FINISH
AA-Anodised Aluminium
RAW-Raw Milled

STYLE
C Pull Profile for Split
Panels

CODE
125D.Finish

MATERIAL
Aluminium



AUSTRAL
Collection

Rear Fixing

EXTRUSION HANDLE FREE COLLECTION

GROOVE-INSTALL

NO. 109A

L Shaped Extrusion - Supplied in 2.4m Lengths

FINISH

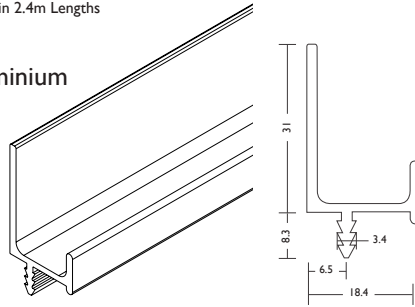
AA-Anodised Aluminium

CODE

109A.Finish

MATERIAL

Aluminium



A | AUSTRAL
Collection

NO. 109B

C Shaped Extrusion - Supplied in 2.4m Lengths

FINISH

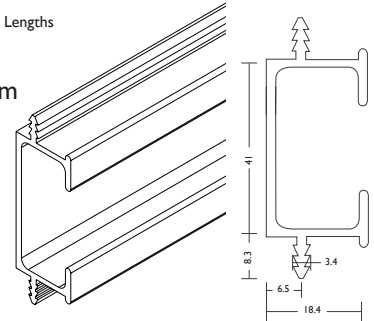
AA-Anodised Aluminium

CODE

131B.Finish

MATERIAL

Aluminium



A | AUSTRAL
Collection

NO. 109C

U Shaped Extrusion - Supplied in 2.4m Lengths

FINISH

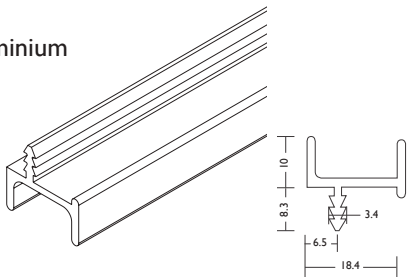
AA-Anodised Aluminium

CODE

109C.Finish

MATERIAL

Aluminium



A | AUSTRAL
Collection

NO. 127

U Shaped Extrusion - Supplied in 2.4m Lengths

FINISH

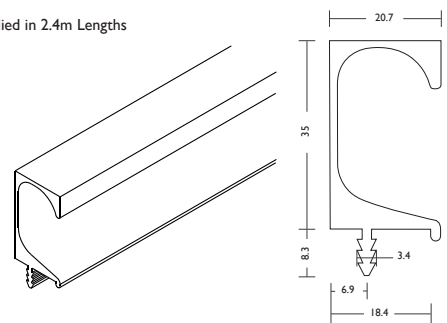
AA-Anodised
Aluminium

CODE

127.Finish

MATERIAL

Aluminium



A | AUSTRAL
Collection

EXTRUSION HANDLE FREE COLLECTION

GROOVE-INSTALL

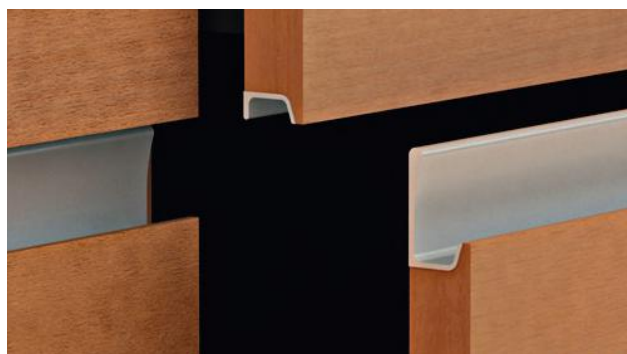
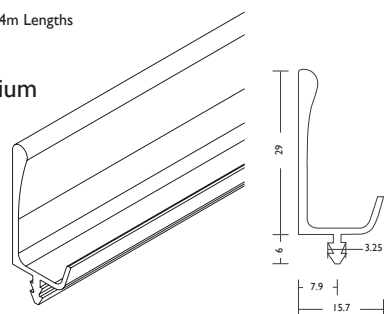
NO. 131A

U Shaped Extrusion - Supplied in 2.4m Lengths

FINISH
AA-Anodised Aluminium

CODE
131A.Finish

MATERIAL
Aluminium



AUSTRAL
Collection

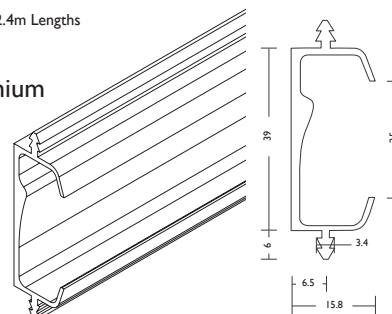
NO. 131B

C Shaped Extrusion - Supplied in 2.4m Lengths

FINISH
AA-Anodised Aluminium

CODE
131B.Finish

MATERIAL
Aluminium



AUSTRAL
Collection

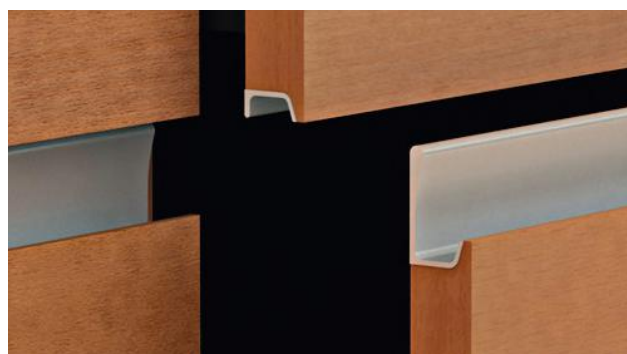
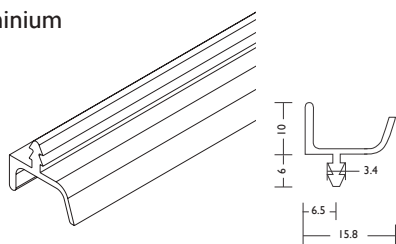
NO. 131C

U Shaped Extrusion - Supplied in 2.4m Lengths

FINISH
AA-Anodised Aluminium

CODE
131C.Finish

MATERIAL
Aluminium



AUSTRAL
Collection

ROUTER BITS FOR INSTALLING ENKO'S ALUMINIUM PROFILES



ROUTERBIT.3.2
For installing No.109
or No.127 Profiles



ROUTERBIT.131/1
For installing No.131
Profile - Groove



ROUTERBIT.131/2
For installing No.131
Profile - Scallop

EXTRUSION HANDLE FREE COLLECTION

RECESSED

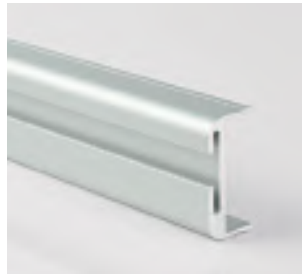
NO. 130

Enko's #130 extrusion is a **Beautiful and Strong** handle free solution made here in New Zealand. The robust construction of the #130 profile removes the need for a separate support rail, gives strength to the cabinet and creates manufacturing efficiencies. There is a #130 finish to suit any project, available in Powder coated Black or White, Anodised Silver and Bronze, or in DIY raw. The 42mm top rail and 52mm middle rail come in extra-long 3.6m lengths to minimize offcut wastage, and there are various brackets and end-caps for easy installation and a perfect finish.

FINISHES



Raw - Unfinished



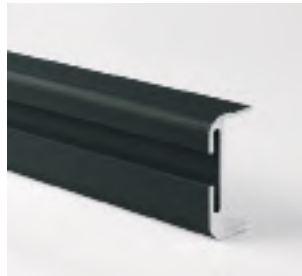
Appliance White - Powder Coated



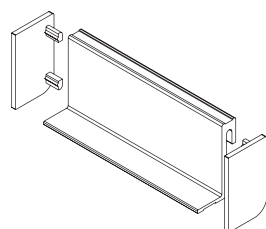
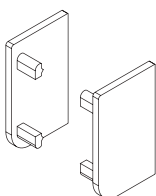
Satin Black - Powder Coated



Natural Silver - Anodised



End Caps - Supplied in pairs, these are fitted into the ends of the extrusion to provide a professional finish. They are coloured to match the extrusion finish.



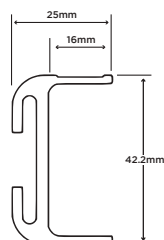
A | AUSTRAL
Collection

EXTRUSION HANDLE FREE COLLECTION

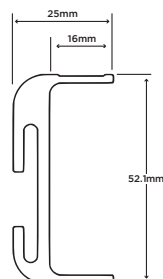
SIZES



42mm
For under benchtops

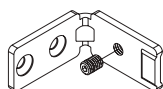


52mm
For between drawers



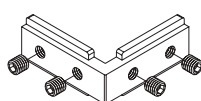
FIXINGS

Primary Fixing

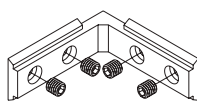


End Clip

Corner Fixings (For exposed joins)



Internal Corner Clip A



External Corner Clip B

Item	Finish	42mm Code	52mm Code
Extrusion (3.6m Lengths)	Anodised Aluminium	I30.AA.42	I30.AA.52
	Appliance White	I30.W.42	I30.W.52
	Raw Unfinished	I30.RAW.42	I30.RAW.52
	Satin Black	I30.BK.42	I30.BK.52
End Caps (Pair)	Anodised Aluminium	I30.AA.42END	I30.AA.52END
	Appliance White	I30.W.42END	I30.W.52END
	Raw Unfinished	I30.RAW.42END	I30.RAW.52END
	Satin Black	I30.BK.42END	I30.BK.52END
End Fixing Clip (Each)	-	I30.EndClip	
Internal Corner Fixing Clip A (Each)	-	I30.CnrClipA	
External Corner Fixing Clip B (Each)	-	I30.CnrClipB	



Featuring the 130
Extrusion Handle

EXTRUSION HANDLE FREE COLLECTION

RECESSED

The CLAP'N FIT Gola Profile range is designed, manufactured and PATENTED by Volpato in Italy. The profile can be rapidly fitted in both horizontal and vertical applications using the patented Clap and Fit mounts, saving time and money in the manufacturing process. This extrusion comes in five modern and popular finishes and two different heights, 48mm (top profile) and 66mm (Middle Profile), both supplied in extra-long 4.2m lengths to minimize wastage.

FINISHES:



Natural Anodised



Stainless Steel



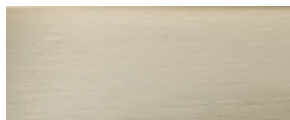
Matt Black



Appliance White



Raw



Brass



Featuring the Gola Extrusion Handle

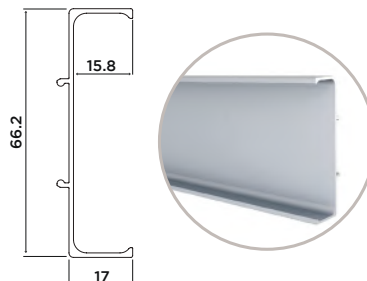
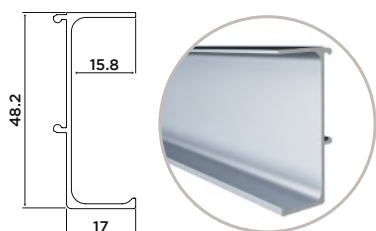
EXTRUSION HANDLE FREE COLLECTION



MADE IN ITALY

GOLA EXTRUSION

4.2m Lengths, available in single lengths or in packs of 10 lengths

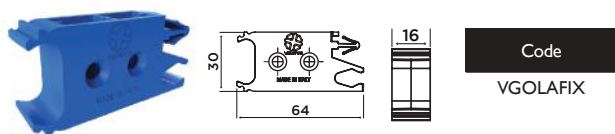


FINISH	48mm Code
Appliance White	VGOLA.W.48
Matt Black	VGOLA.BK.48
Natural Anodised	VGOLA.AN.48
Raw	VGOLA.RAW.48
Stainless Steel	VGOLA.SS.48
Brass	VGOLA.BR.48

FINISH	66mm Code
Appliance White	VGOLA.W.66
Matt Black	VGOLA.BK.66
Natural Anodised	VGOLA.AN.66
Raw	VGOLA.RAW.66
Stainless Steel	VGOLA.SS.66
Brass	VGOLA.BR.66

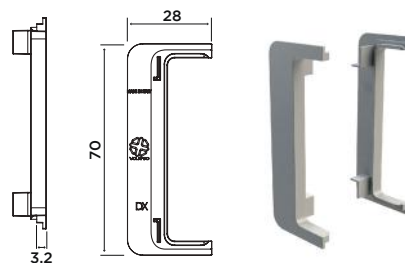
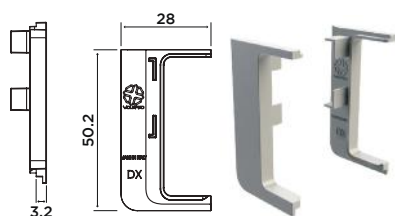
GOLA FIXING BRACKET

Available in packs of 10



EXTERNAL END CAPS

Available in sets - 1 left hand and 1 right hand



FINISH	48mm Code
Appliance White	VGOLA.W.48END
Matt Black	VGOLA.BK.48END
Natural Anodised	VGOLA.AN.48END
Stainless Steel	VGOLA.SS.48END

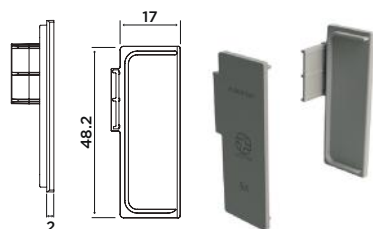
FINISH	66mm Code
Appliance White	VGOLA.W.66END
Matt Black	VGOLA.BK.66END
Natural Anodised	VGOLA.AN.66END
Stainless Steel	VGOLA.SS.66END

EXTRUSION HANDLE FREE COLLECTION

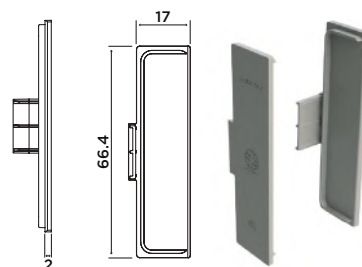
HANDLE FREE

INTERNAL END CAPS (FULL)

Available in sets - 1 left hand and 1 right hand



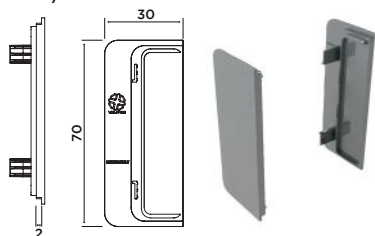
FINISH	48mm Code
Appliance White	VGOLA.W.48INTEND
Matt Black	VGOLA.BK.48INTEND
Natural Anodised	VGOLA.AN.48INTEND
Stainless Steel	VGOLA.SS.48INTEND
Brass	VGOLA.BR.48INTEND



FINISH	66mm Code
Appliance White	VGOLA.W.66INTEND
Matt Black	VGOLA.BK.66INTEND
Natural Anodised	VGOLA.AN.66INTEND
Stainless Steel	VGOLA.SS.66INTEND
Brass	VGOLA.BR.66INTEND

EXTERNAL END CAPS (FULL)

Available individually

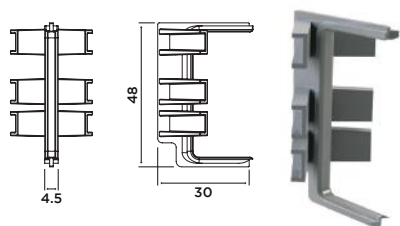


FINISH	66mm Code
Appliance White	VGOLA.W.66EXTEND
Matt Black	VGOLA.BK.66EXTEND
Natural Anodised	VGOLA.AN.66EXTEND
Stainless Steel	VGOLA.SS.66EXTEND

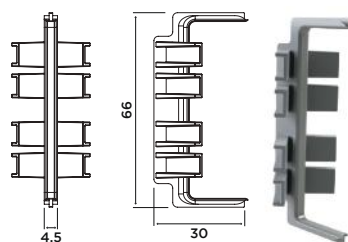


INTERNAL JOIN 45° CORNERS

Available individually



FINISH	48mm Code
Appliance White	VGOLA.W.48CNR45I
Matt Black	VGOLA.BK.48CNR45I
Natural Anodised	VGOLA.AN.48CNR45I
Stainless Steel	VGOLA.SS.48CNR45I



FINISH	66mm Code
Appliance White	VGOLA.W.66CNR45I
Matt Black	VGOLA.BK.66CNR45I
Natural Anodised	VGOLA.AN.66CNR45I
Stainless Steel	VGOLA.SS.66CNR45I

EXTRUSION HANDLE FREE COLLECTION

HANDLE FREE

EXTERNAL JOIN 45° CORNERS

Available individually



FINISH	48mm Code
Appliance White	VGOLA.W.48CNR45E
Matt Black	VGOLA.BK.48CNR45E
Natural Anodised	VGOLA.AN.48CNR45E
Stainless Steel	VGOLA.SS.48CNR45E

FINISH	66mm Code
Appliance White	VGOLA.W.66CNR45E
Matt Black	VGOLA.BK.66CNR45E
Natural Anodised	VGOLA.AN.66CNR45E
Stainless Steel	VGOLA.SS.66CNR45E

INTERNAL JOIN 90° CORNERS

Available individually



FINISH	66mm Code
Appliance White	VGOLA.W.48CNR90I
Matt Black	VGOLA.BK.48CNR90I
Natural Anodised	VGOLA.AN.48CNR90I
Stainless Steel	VGOLA.SS.48CNR90I

FINISH	66mm Code
Appliance White	VGOLA.W.66CNR90I
Matt Black	VGOLA.BK.66CNR90I
Natural Anodised	VGOLA.AN.66CNR90I
Stainless Steel	VGOLA.SS.66CNR90I

EXTERNAL JOIN 90° CORNERS

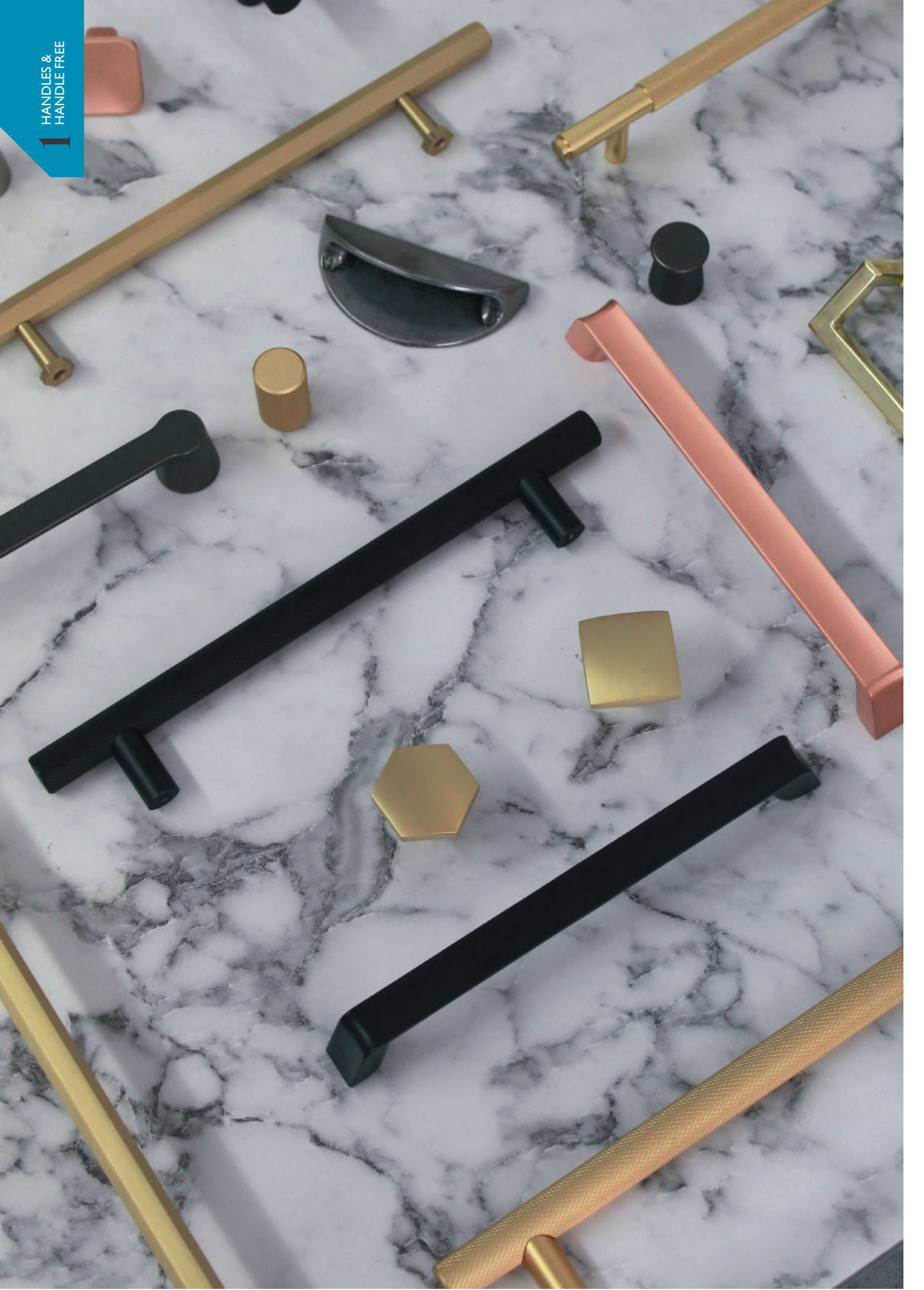
Available individually



FINISH	48mm Code
Appliance White	VGOLA.W.48CNR90E
Matt Black	VGOLA.BK.48CNR90E
Natural Anodised	VGOLA.AN.48CNR90E
Stainless Steel	VGOLA.SS.48CNR90E

FINISH	66mm Code
Appliance White	VGOLA.W.66CNR90E
Matt Black	VGOLA.BK.66CNR90E
Natural Anodised	VGOLA.AN.66CNR90E
Stainless Steel	VGOLA.SS.66CNR90E

1 HANDLES & HANDLE FREE



FINISHES



AA
Anodised Aluminium



ABB
Anodised Brushed Black



ABN
Anodised Brushed Nickel



AMB
Aged Matt Black



B
Polished Brass



BA
Brass Aluminium



BB
Bright Bronze



BC
Bright Copper



BDB
Bright Dark Bronze



BI
Burnished Iron



BK
Black



BN
Brushed Nickel



BO
Black Oxide



BORB
Brushed ORB



BP
Bright Pewter



BP/C
Bright Pewter/Craqueled Cream



BP/W
Bright Pewter/White



CH
Chrome



DBBE
Dark Bronze Brass Edge



DBRE
Dark Bronze Red Edge



GP
Gold



MBR
Matte Brass



MC
Matt Copper



MP
Matt Pewter



PC
Pink Champagne



SBB
Satin Brushed Brass



SC
Satin Chrome



SN
Satin Nickel



SS
Stainless Steel



T
Titanium



W
White

1 HANDLES & HANDLE FREE

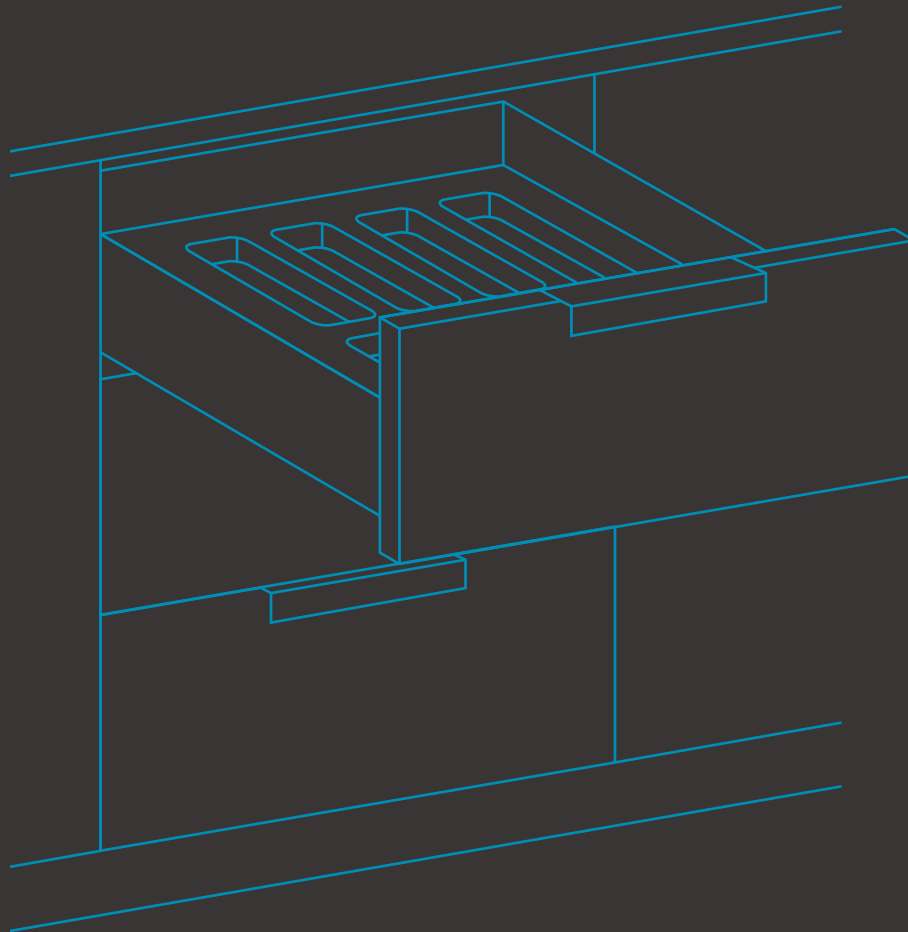


Featuring the No. 208 Cone Handle

2

DRAWER AND RUNNER SYSTEMS

ENKO SLIMBOX	62	DRAWER ORGANISERS	66	DRAWER CUT OUTS	78
STEEL SIDED DRAWERS	64	NON SLIP MAT	77	UNDER SINK DRAWS	80
RUNNER SYSTEMS	65				



ENKO SLIMBOX

SLIMBOX SOFT CLOSE DRAWER SYSTEM



The SLIMBOX drawer combines the best of design, function and value with its space-saving thin side profile and smooth, full-extension 40kg soft-closing capacity.

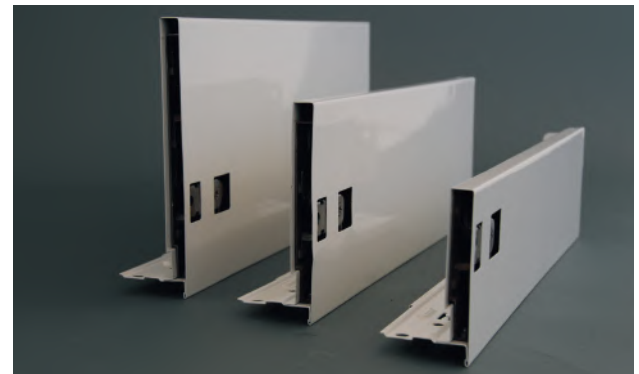
Available in a full range of depths and heights to suit all your project specifications with rectangular gallery rails and inner-drawer front system.

The Slimbox drawer system has been fully lab-tested and carries CATAS certification.

Perfectly suited to any beautiful kitchen, wardrobe or bathroom space or equally at home in the commercial office or bathroom environment the Enko Slimbox drawer now allows you to specify value along with a Smart System For Design Interiors.

FEATURES

- 40KG capacity, quick assembly
- 14mm sides, twin walled box style drawer side
- Three heights 90mm, 130mm, 180mm
- Epoxy coated white or anthracite grey colours
- Full extension, concealed, synchronised soft close runners with a wide base platform
- Rectangular gallery rails
- Zinc Plated Steel front and rear fixings
- Drawer Base - 16mm board, no milling required
- Quick release brackets
- 3-D Adjustment



Drawer front fixing brackets are available in Screw On or Knock In format.
Add "S" to the item code for Screw On or "K" for Knock In.

WHITE DRAWERS		
Item Code	Depth	Height
DSLIM270W90	270mm	90mm
DSLIM270W130	270mm	130mm
DSLIM270W180	270mm	180mm
DSLIM350W90	350mm	90mm
DSLIM350W130	350mm	130mm
DSLIM350W180	350mm	180mm
DSLIM400W90	400mm	90mm
DSLIM400W130	400mm	130mm
DSLIM400W180	400mm	180mm
DSLIM450W90	450mm	90mm
DSLIM450W130	450mm	130mm
DSLIM450W180	450mm	180mm
DSLIM500W90	500mm	90mm
DSLIM500W130	500mm	130mm
DSLIM500W180	500mm	180mm
DSLIM550W90	550mm	90mm
DSLIM550W130	550mm	130mm
DSLIM550W180	550mm	180mm

ANTHRACITE DRAWERS		
Item Code	Depth	Height
DSLIM270ANTH90	270mm	90mm
DSLIM270ANTH130	270mm	130mm
DSLIM270ANTH180	270mm	180mm
DSLIM350ANTH90	350mm	90mm
DSLIM350ANTH130	350mm	130mm
DSLIM350ANTH180	350mm	180mm
DSLIM400ANTH90	400mm	90mm
DSLIM400ANTH130	400mm	130mm
DSLIM400ANTH180	400mm	180mm
DSLIM450ANTH90	450mm	90mm
DSLIM450ANTH130	450mm	130mm
DSLIM450ANTH180	450mm	180mm
DSLIM500ANTH90	500mm	90mm
DSLIM500ANTH130	500mm	130mm
DSLIM500ANTH180	500mm	180mm
DSLIM550ANTH90	550mm	90mm
DSLIM550ANTH130	550mm	130mm
DSLIM550ANTH180	550mm	180mm



See page 118 for Slimbox Pantry Drawers

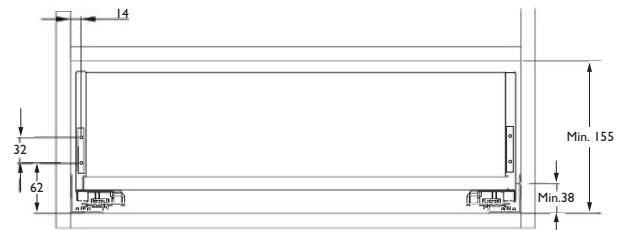
WHITE GALLERY RAILS	
Item Code	Width
DSLIMSQ270W	270mm
DSLIMSQ350W	350mm
DSLIMSQ400W	400mm
DSLIMSQ450W	450mm
DSLIMSQ500W	500mm
DSLIMSQ550W	550mm

ANTHRACITE GALLERY RAILS	
Item Code	Width
DSLIMSQ350A	350mm
DSLIMSQ400A	400mm
DSLIMSQ450A	450mm
DSLIMSQ500A	500mm
DSLIMSQ550A	550mm

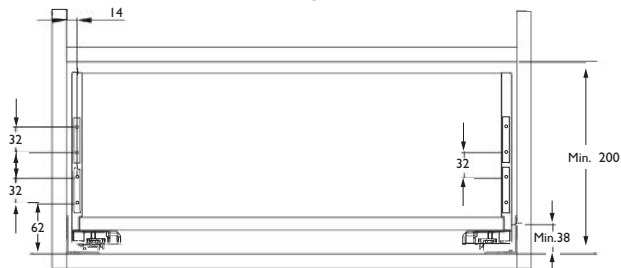
ENKO SLIMBOX 90mm High



ENKO SLIMBOX 130mm High



ENKO SLIMBOX 180mm High



STEEL SIDED DRAWERS

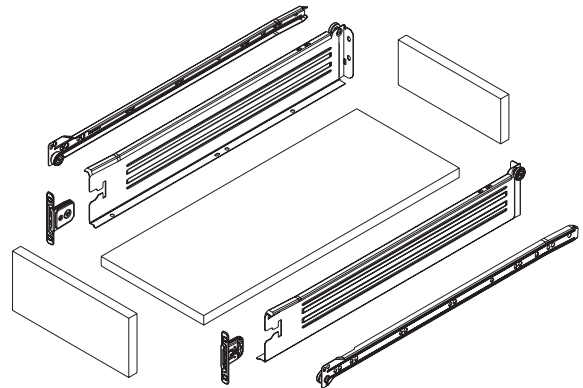
STEEL SIDED DRAWERS



Item Code	Panel Height	Drawer Depth
F12E140A	86mm	350mm
F12E160A	86mm	400mm
F12E180A	86mm	450mm
F12E200A	86mm	500mm
F13G140A	118mm	350mm
F13G160A	118mm	400mm
F13G180A	118mm	450mm
F13G200A	118mm	500mm
F14K140A	150mm	350mm
F14K160A	150mm	400mm
F14K180A	150mm	450mm
F14K200A	150mm	500mm

FEATURES

- Smooth & quiet operation
- Interchangeable front bracket (no left & right)
- Very cost effective
- 10 sets per box
- Load 30kg
- White
- Two way drawer front +/- 2mm adjustment
- 10mm dowel drawer front attachments



SOFT CLOSE ADAPTORS

Item Code

SCS-SSDA



Suits 350mm and above lengths.
Sold in pairs.

RUNNER SYSTEMS



SLIMBOX UNDERMOUNT SOFT CLOSE RUNNERS

NEW

- Full extension soft & self closing concealed slide with 3D adjustment function.
- For 16mm & 18mm wooden drawer with 3D clip-on fixing.

FEATURES

- Clip-on Full extension soft closing
- Synchronised concealed slide
- Load capacity of 40kgs
- Smooth rolling mechanism
- Quick assembly
- Up & down, left & right, front & back, 6 dimensional adjustment

Item Code	Length
DSLIM350-UM	350mm
DSLIM400-UM	400mm
DSLIM450-UM	450mm
DSLIM500-UM	500mm
DSLIM550-UM	550mm



BALL BEARING RUNNERS

FEATURES

- Full extension
- Steel ball bearing rollers for longer roller life
- Side mounted
- 45kg load capacity
- Zinc finish

Item Code	Length
BBS.250	250mm
BBS.300	300mm
BBS.350	350mm
BBS.400	400mm
BBS.450	450mm
BBS.500	500mm
BBS.550	550mm
BBS.600	600mm



BOTTOM MOUNTED RUNNERS

FEATURES

- Single extension
- 20kg load capacity
- Roll out prevention
- White finish
- Smooth Operation
- 20 Sets per box
- Economy Runner Option

Item Code	Length
L100W	250mm
L120W	300mm
L140W	350mm
L160W	400mm
L180W	450mm
L200W	500mm
L220W	550mm



DRAWER ORGANISERS

SLIMBOX



SLIMBOX STAINLESS STEEL DIVIDER SYSTEM

NEW



FEATURES

- High quality stainless steel material
- Functional drawer system

STAINLESS STEEL DIVIDER BOXES

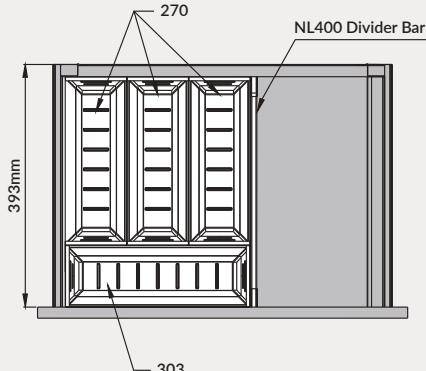
Item Code	Length	Width	Colour
SSDS-B101202	202mm	101mm	Stainless Steel
SSDS-B101270	270mm	101mm	Stainless Steel
SSDS-B101303	303mm	101mm	Stainless Steel
SSDS-B101320	320mm	101mm	Stainless Steel

ALUMINIUM DIVIDER BARS

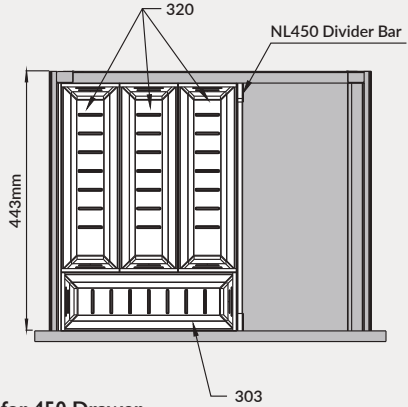
Item Code	Length	Colour
SSDS-AD400A	NL400mm	Anthracite
SSDS-AD400W	NL400mm	White
SSDS-AD450A	NL450mm	Anthracite
SSDS-AD450W	NL450mm	White
SSDS-AD500A	NL500mm	Anthracite
SSDS-AD500W	NL500mm	White
SSDS-AD550A	NL550mm	Anthracite
SSDS-AD550W	NL550mm	White



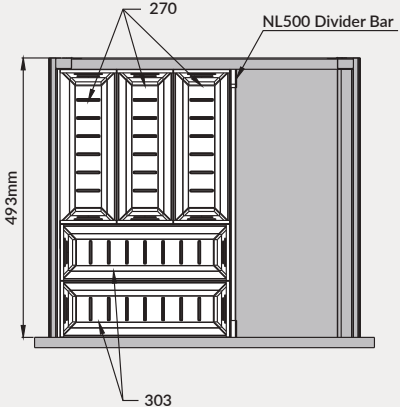
Kit code SSDS-K500A5B shown



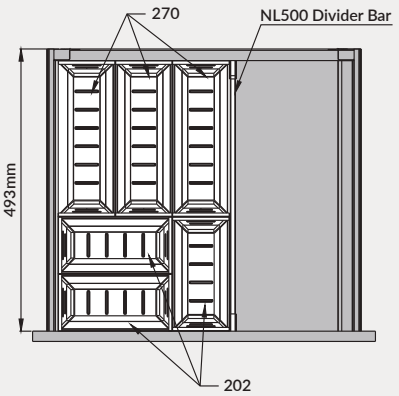
Solution for 400 Drawer
 This four box solution with Anthracite Divider Bar - SSDS-K400A4B
 This four box solution with White Divider Bar - SSDS-K400W4B



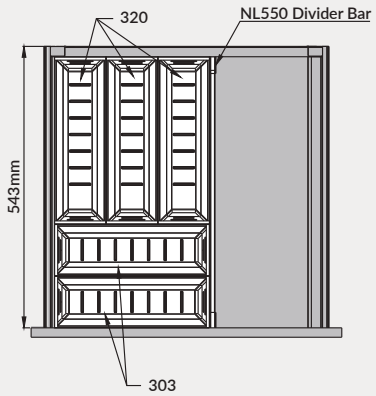
Solution for 450 Drawer
 This four box solution with Anthracite Divider Bar - SSDS-K450A4B
 This four box solution with White Divider Bar - SSDS-K450W4B



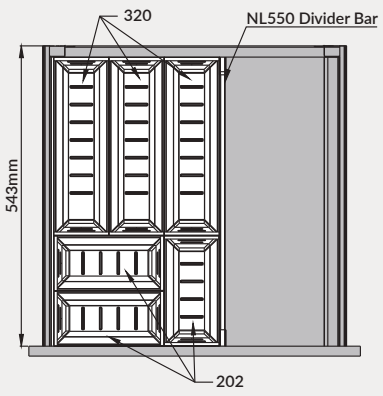
Solution 1 for 500
 This five box solution with Anthracite Divider Bar - SSDS-K500A5B
 This five box solution with White Divider Bar - SSDS-K500W5B



Solution 2 for 500mm Drawer
 This six box solution with Anthracite Divider Bar - SSDS-K500A6B
 This six box solution with White Divider Bar - SSDS-K500W6B



Solution 1 for 550mm Drawer
 This five box solution with Anthracite Divider Bar - SSDS-K550A5B
 This five box solution with White Divider Bar - SSDS-K550W5B



Solution 2 for 550mm Drawer
 This six box solution with Anthracite Divider Bar - SSDS-K550A6B
 This six box solution with White Divider Bar - SSDS-K550W6B

DRAWER ORGANISERS

SLIMBOX

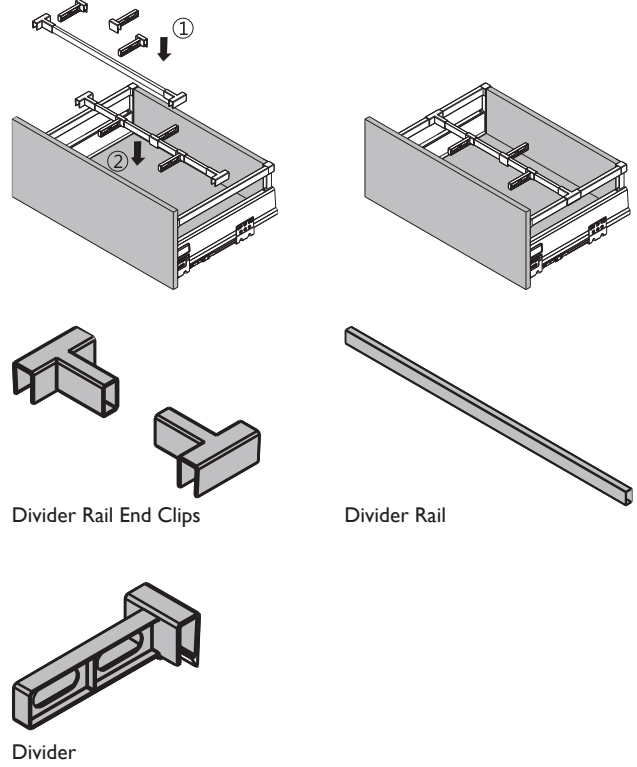


SLIMBOX FRAME DIVIDER RAIL SYSTEM NEW

FEATURES

- Divide your bottles/jars inside your drawer
- Adjustable
- High quality steel divider rail
- Compatible with our Slimbox Drawer Range
- Two colours available - White & Anthracite

Item Code	Item	Length	Height	Colour
SBDS-RAIL60A	Divider Rail	600mm		Anthracite
SBDS-RAIL60W	Divider Rail	600mm		White
SBDS-RAIL120A	Divider Rail	1200mm		Anthracite
SBDS-RAIL120W	Divider Rail	1200mm		White
SBDS-SDA	Short Divider	100mm	20mm	Anthracite
SBDS-SDW	Short Divider	100mm	20mm	White
SBDS-TDA	Tall Divider	100mm	60mm	Anthracite
SBDS-TDW	Tall Divider	100mm </td <td>60mm</td> <td>White</td>	60mm	White
SBDS-ENDCLIPA	End Clip			Anthracite
SBDS-ENDCLIPW	End Clip			White





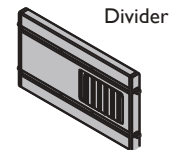
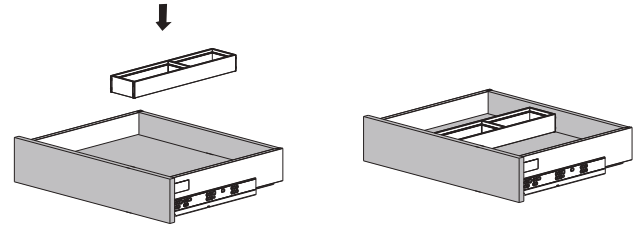
DRAWER ORGANISERS

SLIMBOX STEEL DIVIDER SYSTEM

50mm STEEL DIVIDER SYSTEM **NEW**

FEATURES

- Compatible with our Slimbox Drawer Range and others
- Two colours available - White & Anthracite
- Use to divide your cutlery, spices etc inside your drawer
- Incremental adjustment - 25mm
- Extra dividers available



Item Code	Item	Width	Nominal Length	Actual Length	Height	Colour
SDS50-350A100	Drawer Frame	100mm	350mm	324mm	50mm	Anthracite
SDS50-350A200	Drawer Frame	200mm	350mm	324mm	50mm	Anthracite
SDS50-350W100	Drawer Frame	100mm	350mm	324mm	50mm	White
SDS50-350W200	Drawer Frame	200mm	350mm	324mm	50mm	White
SDS50-500A100	Drawer Frame	100mm	500mm	474mm	50mm	Anthracite
SDS50-500A200	Drawer Frame	200mm	500mm	474mm	50mm	Anthracite
SDS50-500W100	Drawer Frame	100mm	500mm	474mm	50mm	White
SDS50-500W200	Drawer Frame	200mm	500mm	474mm	50mm	White
SDS50-550A100	Drawer Frame	100mm	550mm	524mm	50mm	Anthracite
SDS50-550A200	Drawer Frame	200mm	550mm	524mm	50mm	Anthracite
SDS50-550W100	Drawer Frame	100mm	550mm	524mm	50mm	White
SDS50-550W200	Drawer Frame	200mm	550mm	524mm	50mm	White
SDS50-FD100A	Divider for 100mm Frame	100mm	-	-	50mm	Anthracite
SDS50-FD100W	Divider for 100mm Frame	100mm	-	-	50mm	White
SDS50-FD200A	Divider for 200mm Frame	200mm	-	-	50mm	Anthracite
SDS50-FD200W	Divider for 200mm Frame	200mm	-	-	50mm	White



SLIMBOX STEEL DIVIDER SYSTEM

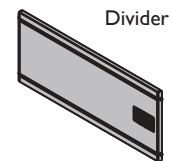
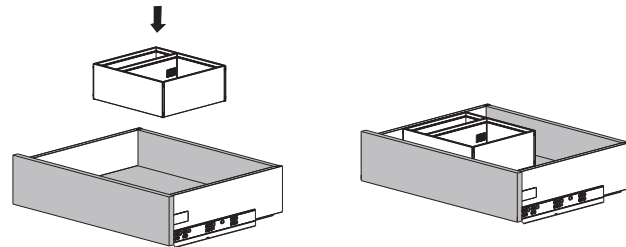


100mm STEEL DIVIDER SYSTEM WITH MAGNET

NEW

FEATURES

- Suits many drawer systems
- Magnet to hold in place to drawer side
- High sides keeping your bottles divided safely
- Two colours available - White & Anthracite



Item Code	Item	Width	Length	Height	Colour
SDSI00M-218370A	Drawer Frame	218mm	370mm	100mm	Anthracite
SDSI00M-218370W	Drawer Frame	218mm	370mm	100mm	White
SDSI00M-242270A	Drawer Frame	242mm	270mm	100mm	Anthracite
SDSI00M-242270W	Drawer Frame	242mm	270mm	100mm	White
SDSI00M-FD218A	Divider for 218mm Frame	218mm	-	100mm	Anthracite
SDSI00M-FD218W	Divider for 218mm Frame	218mm	-	100mm	White
SDSI00M-FD242A	Divider for 242mm Frame	242mm	-	100mm	Anthracite
SDSI00M-FD242W	Divider for 242mm Frame	242mm	-	100mm	White



DRAWER ORGANISERS

COMBI™ LINE MODULAR

COMBI™ LINE MODULAR CUTLERY TRAY SYSTEM

The Combi™ Line modular tray system is designed to allow you to adapt and optimise the space inside the drawer.

They are equipped with a side wing as a key feature that drops from the tray to the base of the drawer, allowing you to organise the rest of the drawer as desired and preventing items from getting under the tray.

The Four inserts available allow you to create numerous combinations depending on the size of your drawer.

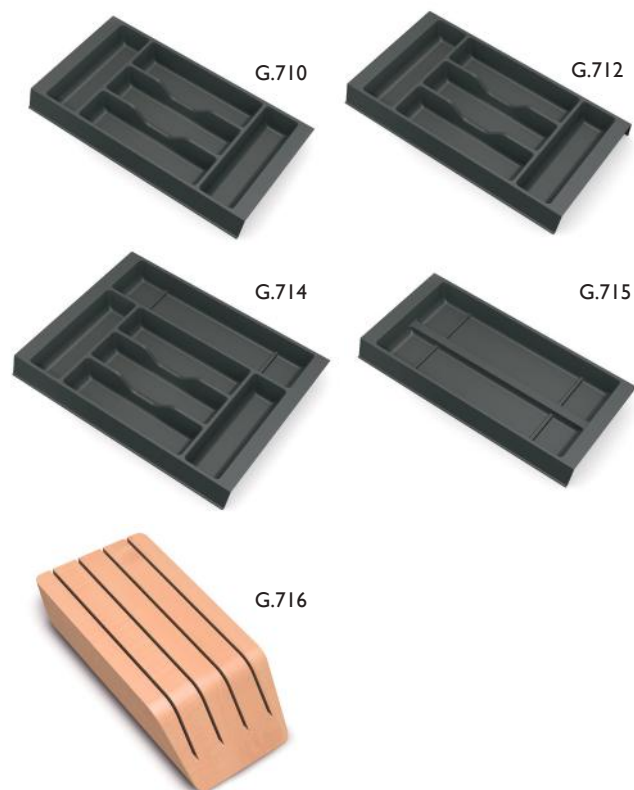
Accessorise the drawer alongside the modular trays with knife block available.

- Orion Grey
- Matte Finish
- Beech Wood Knife block available to suit G.714 & G.715 trays
- Carton Quantity of 25

Item Code	Side Wing	Width	Depth	Height
G.710	One Side	266mm	420-490mm	45mm
G.714	One Side	376mm	420-490mm	45mm
G.715	One Side	240mm	420-490mm	45mm
G.712	Both Sides	278mm	420-490mm	45mm
G.716	Knife Block	102mm	200mm	41mm

Gollinucci
DESIGNED FOR EVERY DAY

MADE IN ITALY





EXAMPLES OF TRAY COMBINATIONS

Tray Key	G.714	G.710	G.712	G.715
400 and 450 Cabinet				
500 Cabinet				
600 Cabinet				
800 Cabinet				
900 Cabinet				
1000 Cabinet				
1200 Cabinet				

CLASSIC LINE

CLASSIC LINE CUTLERY TRAYS

Gollinucci
DESIGNED FOR EVERY DAY

MADE IN ITALY

FEATURES

- The Classic Line range of Cutlery trays are manufactured by Gollinucci in Italy,
- These trays are traditional in design by their minimal and squared shapes, suiting any style of kitchen.
- Available in Grey or White
- Matte finish for greater protection against markings & scratches
- Trimmable to desired size
- Options for cabinets 300 to 1200mm wide
- Accessories suited to fit (to be ordered separately)



RPC770G



RPC772G



RPC773G



RPC774G



RPC776G



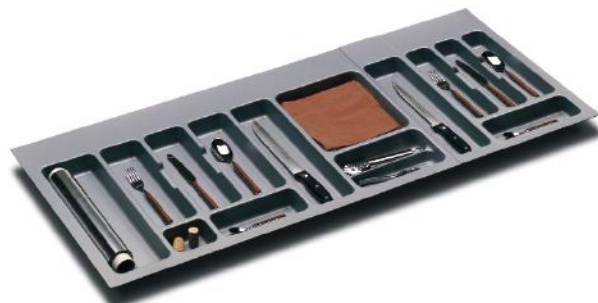
RPC778G



RPC780G



RPC781G

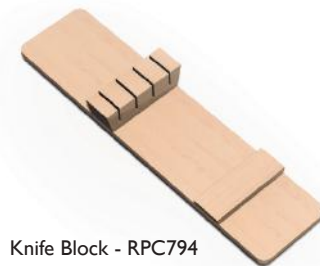


RPC783G

TRAYS						
Item Code	Colour	Cabinet	Tray Width	Tray Depth	Height	Compatible Accessories
RPC770G	Grey	300mm	200-251mm	390-490mm	50mm	-
RPC770W	White	300mm	200-251mm	390-490mm	50mm	-
RPC772G	Grey	400mm	297-351mm	390-490mm	50mm	-
RPC772W	White	400mm	297-351mm	390-490mm	50mm	-
RPC773G	Grey	450mm	347-401mm	390-490mm	50mm	-
RPC773W	White	450mm	347-401mm	390-490mm	50mm	-
RPC774G	Grey	500mm	394-451mm	390-490mm	50mm	Knife Block & Film Dispenser
RPC774W	White	500mm	394-451mm	390-490mm	50mm	Knife Block & Film Dispenser
RPC776G	Grey	600mm	497-551mm	390-490mm	50mm	Knife Block & Film Dispenser
RPC776W	White	600mm	497-551mm	390-490mm	50mm	Knife Block & Film Dispenser
RPC778G	Grey	800mm	697-740mm	390-490mm	50mm	All
RPC778W	White	800mm	697-740mm	390-490mm	50mm	All
RPC780G	Grey	900mm	795-840mm	390-490mm	50mm	All
RPC780W	White	900mm	795-840mm	390-490mm	50mm	All
RPC781G	Grey	1000mm	895-940mm	390-490mm	50mm	All
RPC781W	White	1000mm	895-940mm	390-490mm	50mm	All
RPC783G	Grey	1200mm	1095-1190mm	390-490mm	50mm	All
RPC783W	White	1200mm	1095-1190mm	390-490mm	50mm	All



Chopping Board - RPC791



Knife Block - RPC794



Film Dispenser - RPC795

ACCESSORIES			
Item	Item Code	Colour	Compatible Trays
Chopping Board	RPC791	Wooden	RPC778, RPC780, RPC81, RPC783
Knife Block	RPC794	Wooden	RPC774, RPC776, RPC778, RPC780, RPC781, RPC783
Film Dispenser	RPC795G	Grey	RPC774, RPC776, RPC778, RPC780, RPC781, RPC783
Film Dispenser	RPC795W	White	RPC774, RPC776, RPC778, RPC780, RPC781, RPC783

DRAWER ORGANISERS

NZ MADE

NZ MADE CUTLERY TRAYS, SPICE TRAY & UTENSIL TRAY



FEATURES

- Available in Grey or White
- New Zealand Made
- CUT450 Trays carton quantity of 20
- CUT600, UTN600 & SPC600 Trays carton quantity of 10

CUTLERY TRAYS



CUT450G



CUT600G

CUTLERY TRAYS

Item Code	Colour	Width	Depth	Height
CUT450G	Grey	325-435mm	345-484mm	55mm
CUT450W	White	325-435mm	345-484mm	55mm
CUT600G	Grey	495-615mm	395-540mm	61mm
CUT600W	White	495-615mm	395-540mm	61mm

UTENSIL TRAYS



UTN600G

UTENSIL TRAYS

Item Code	Colour	Width	Depth	Height
UTN600G	Grey	495-615mm	395-540mm	61mm
UTN600W	White	495-615mm	395-540mm	61mm

SPICE TRAYS



SPC600G

SPICE TRAYS

Item Code	Colour	Width	Depth	Height
SPC600G	Grey	515-610mm	540mm	36mm
SPC600W	White	515-610mm	540mm	36mm

NON SLIP MAT



MADE IN ITALY

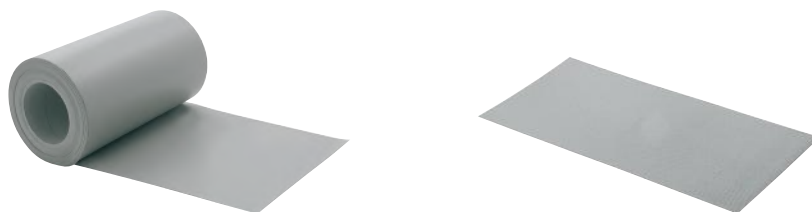
ITALIAN NON-SLIP DRAW MATTING

FEATURES

- Prevents items sliding about in drawers or cupboards
- Manufactured in Italy



Item Code	Colour	Size	Unit
NSMR.G480	Grey	30m x 480mm W	Roll
NSMR.G600	Grey	30m x 600mm W	Roll
NSMS.G500	Grey	1.5m x 500mm W	Sheet



Non-Slip Mat Technical Information

Material	Polymeric compound without PVC. Non-toxic and food-friendly, observing D.M.21.03.73 standards and the following norms: - European Norm 90/128 EEC - US FDA, chapter 21 par. 1771810 - Norms EN 71 parte III - BGA Empfehlung XXI
Endurance	Excellent resistance to aging, UV-rays and to ozone
Anti- Sliding Capacity	Laboratory tests effect on an inclined surface have shown that the rubber mat has a much higher friction coefficient than a similar PVC mat.

DRAWER CUT OUTS

DRAWER CUT OUTS

FIXOL UNIVERSAL CUT OUT SET



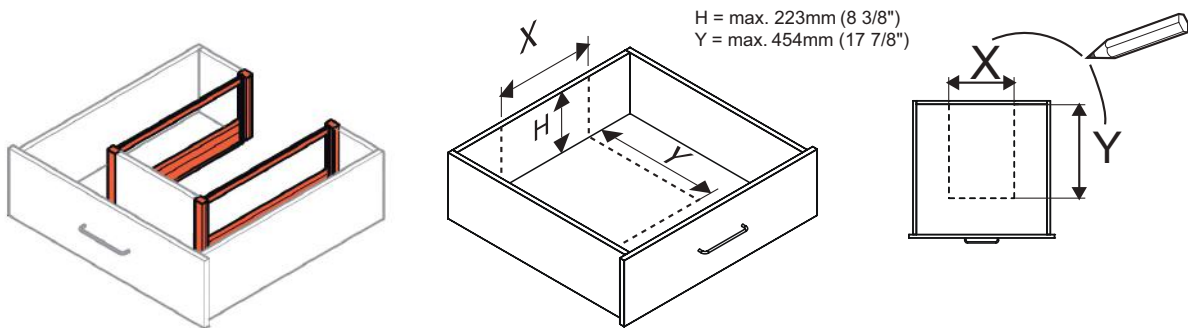
FEATURES

- Allows for simple on site construction of drawer cutout
- Perfect solution if you have a sink, siphon or any plumbing in the way
- Fit after you install your kitchen so no space is lost
- European designed & manufactured
- Install takes just around 15 minutes
- Suited for all drawers with a base and back of 16mm



FIXOL UNIVERSAL CUT OUT SET

Item Code	Finish
FXL-DRAWCO	Aluminium



DRAWER CUT OUTS

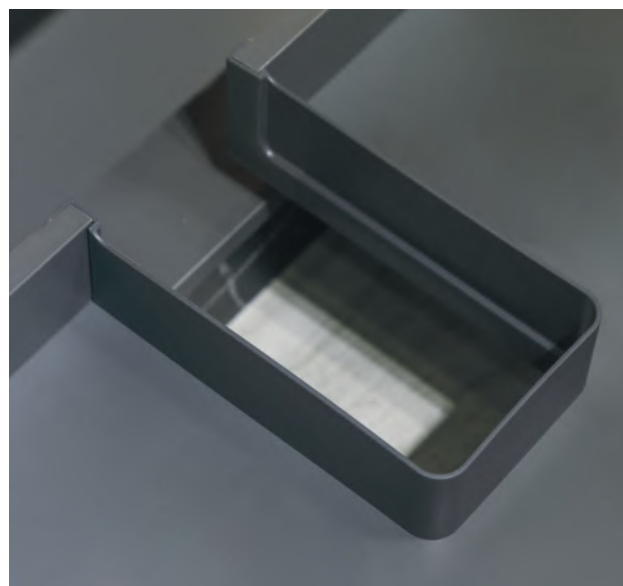
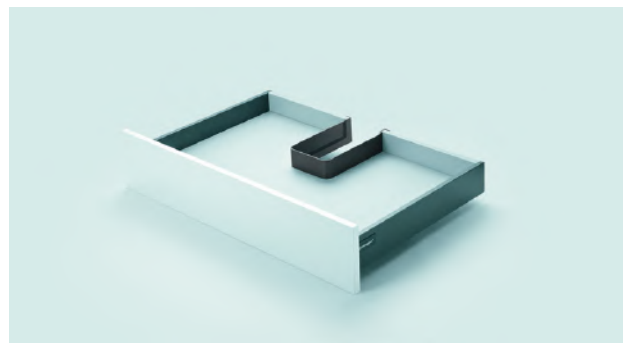
UNDERSINK PLASTIC WASTE CUT-OUT

FEATURES

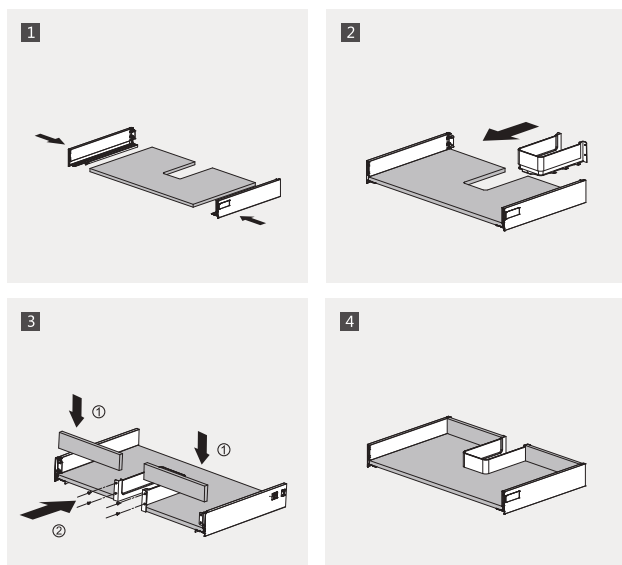
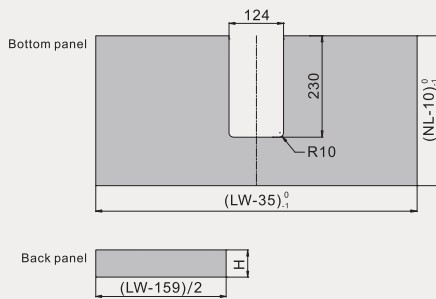
- White and Anthracite Available - Colour match to Slimbox Drawers
- Fast to install
- Slim and square design - perfect for Slimbox Drawer system

UNDERSINK PLASTIC WASTE CUT-OUT

Item Code	Height	Colour
SUSWC80A	80mm	Anthracite
SUSWC80W	80mm	White
SUSWC120A	120mm	Anthracite
SUSWC120W	120mm	White



Size	Hmin
H80	63
H120	101



UNDER SINK DRAWS

UNDER SINK DRAWS

SIGE UNDER SINK DRAWER

Pull out under sink drawer with round wire frame

FEATURES

- Full extension concealed side mount soft close runners
- Maximum load 40kg
- Easily adjusted to suit 16-20mm cabinet sides



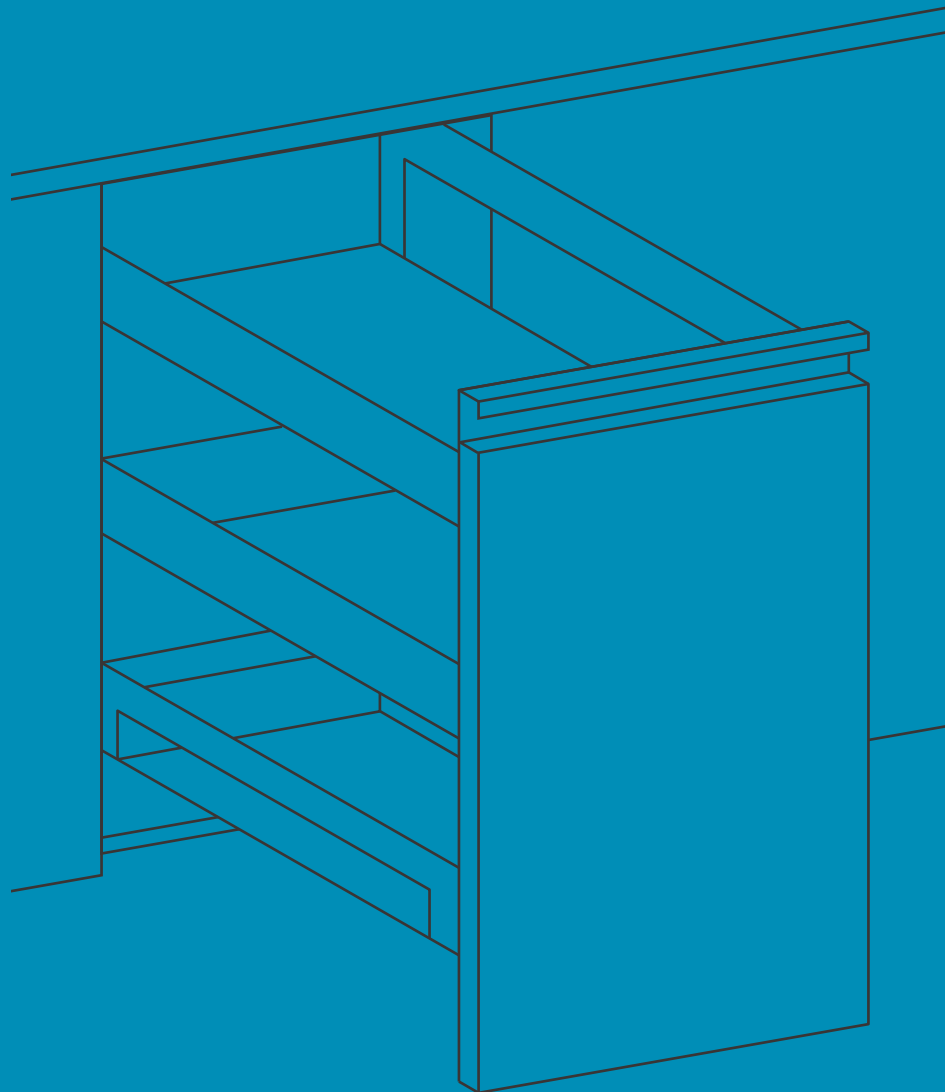
Item Code	Cabinet Width	System Width	System Depth	System Height
SG700G90	900mm	864mm	500mm	100mm



3

STORAGE SYSTEMS

BASE CABINETS	82	TALL CABINETS	108
CORNER CABINETS	96	OTHER STORAGE SYSTEMS	123



BASE CABINET

DETERGENT RACK



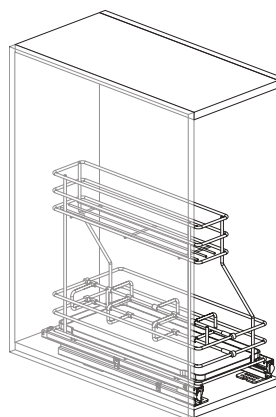
SIGE PULL-OUT DETERGENT RACK

Pull-out detergent rack with separation kit and base tray

FEATURES

- Full extension concealed bottom mount soft close SIGE runners
- Reversible
- Maximum load 12kg
- Complete with tray on the bottom and dividers for bottles
- Washable Tray
- Easy 5 minute install

Item Code	Cabinet Width	System Width	System Depth	System Height
SG060G300	300mm	230mm	450mm	440mm
SG060G450	450mm	380mm	450mm	440mm





Sous Chef Slim

GOLLINUCCI SOUS CHEF

Gollinucci
DESIGNED FOR EVERY DAY

MADE IN ITALY

The Sous-Chef collection is the latest innovation from Gollinucci in Italy.

Designed by Andrea Federici, it has won multiple global awards, including the prestigious GERMAN DESIGN AWARD 2021 where the range received a special mention in the Excellent Kitchen Product Design category. In addition, the range has won both the IF DESIGN AWARD and the INTERZUM AWARD 2019.

The Sous-Chef's core design concept is "Bring the Flavour"!

Equipped with removable plastic trays (Dishwasher Safe) that can be positioned on the kitchen top or onto the Sous-Chef kitchen rail system, Sous-Chef allows you to have all the ingredients and spices readily at hand for daily use. Having these close to hand creates greater efficiency and organisation throughout the cooking process.

At the end of use, the trays are repositioned in the cabinet by hooking them to the central structure.

Designed to intelligently respond to the need to organise even small spaces in the best possible way - thanks to the various models in the range, the Sous-chef can fit cabinets with widths from 150 to 600mm. Sous-Chef is also available with a practical walnut finish knife holder as an option and has models suitable for both hinged doors and most common drawer brands.



SOUS CHEF TRAY PLUS NEW

FEATURES

- Fixing to the bottom of the cabinet or to the door
- Full extension guides
- Soft closing
- Metal structure - Orion Grey Finish
- Removable plastic trays - Dishwasher Safe
- Top roller guide

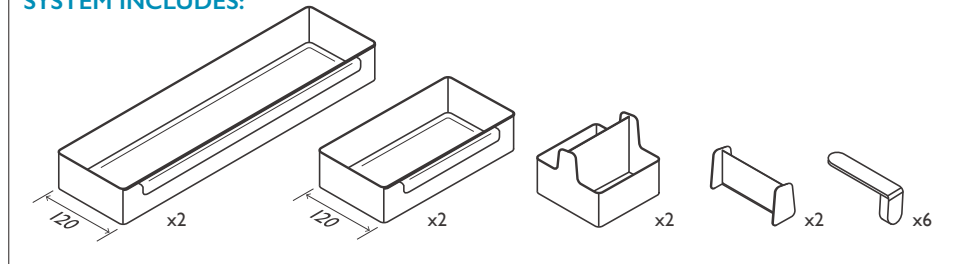


SOUS CHEF TRAY PLUS

Item Code	Width	Depth	Height	Minimum Cabinet Width
GSC-TRAYPOG	255mm	520mm	654mm	300mm



SYSTEM INCLUDES:



SOUS CHEF ONE NEW

FEATURES

- Fixing to the bottom of the drawer
- Suits most 500mm deep drawer
- Keeps all drawer mechanisms in the kitchen the same
- Metal Structure - Orion Grey Finish
- Removeable plastic trays (dishwasher safe)
- Top roller guide



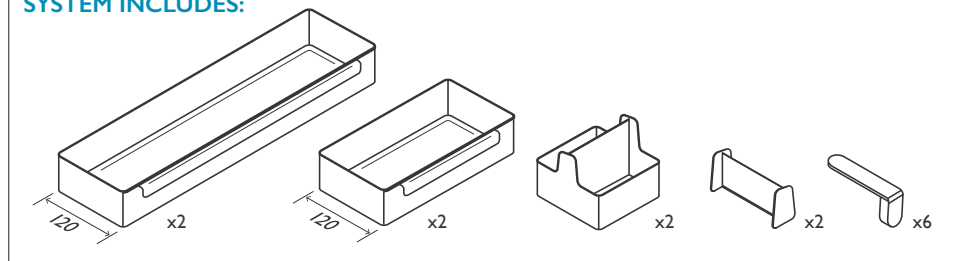
SOUS CHEF ONE

Item Code	Width	Depth	Height	Minimum Cabinet Width
GSC-ONEOG	255mm	516mm	641mm	300mm

(Our recommendation for this model to be partnered with the Enko 180mm high, 500mm deep Slimbox Drawer - Item Code DSLIM500ANTH180)



SYSTEM INCLUDES:



BASE CABINET

SOUS CHEF SMART NEW

FEATURES

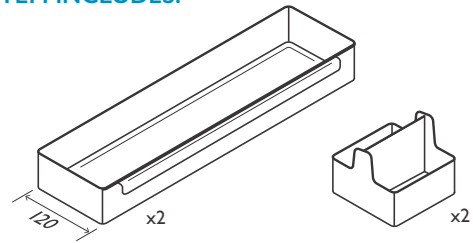
- Fixing to the side of cabinet
- Full extension guides
- Soft closing
- Metal Structure - Orion Grey Finish
- Removeable plastic trays - Dishwasher Safe
- Manual Extraction
- Load capacity of 15kg

SOUS CHEF SMART

Item Code	Width	Depth	Height	Minimum Cabinet Width
GSC-SMARTOG	138mm	506mm	334mm	200mm



SYSTEM INCLUDES:



SOUS CHEF SLIM NEW

FEATURES

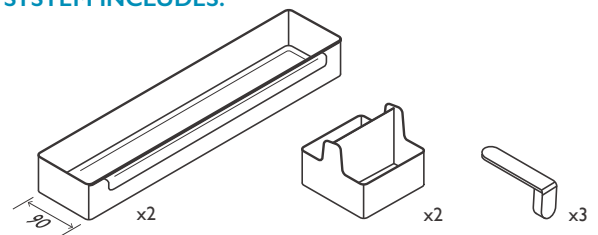
- Fixing to the side of the cabinet or to the door
- Full extension guides
- Soft closing
- Metal structure - Orion Grey Finish
- Removable plastic trays - Dishwasher Safe
- Load capacity of 15kg

SOUS CHEF SLIM

Item Code	Width	Depth	Height	Minimum Cabinet Width
GSC-SLIMOG	108mm	506mm	680mm	150mm



SYSTEM INCLUDES:



SOUS CHEF KNIFE BLOCK **NEW**

FEATURES

- Machined Wood
- Walnut Finish
- Compatible with:
 - Sous-Chef One
 - Sous-Chef Tray Plus
 - Sous-Chef Smart



GSC-WKNIFEB

See matching rail system on page 123



BOTTLE RACKS & PULLOUTS



SIGE INFINITY PULLOUT BOTTLE RACK

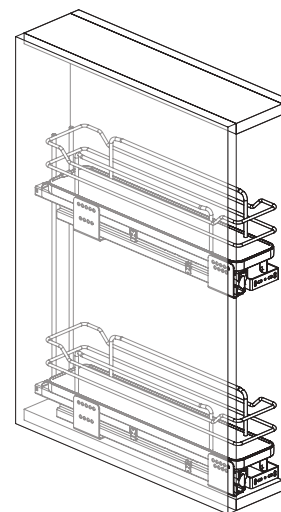
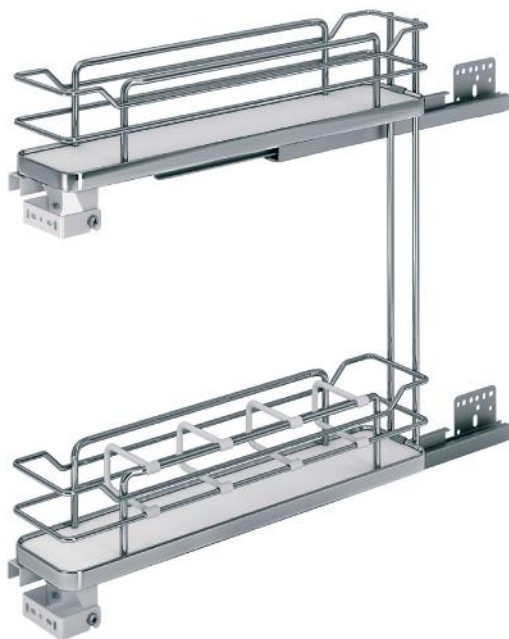
FOR 150-200mm CABINETS

Pull out bottle organiser with separation kit

FEATURES

- White melamine base with chromed edge and two round wire rails
- Full extension concealed side mounts and soft closing
- Mounted on left hand side of cabinet
- 3D Door Adjustment
- Maximum load 12kg
- Includes bottle dividers

Item Code	Cabinet Width	System Width	System Depth	System Height
SG002i	150mm	110mm	500mm	520mm
SG002i20	200mm	164mm	500mm	520mm



BOTTLE RACKS & PULLOUTS

SIGE PRO PULLOUT BOTTLE RACK NEW

FOR 150-200mm CABINETS



Pull out bottle organiser with separation kit

FEATURES

- Painted metal shelves
- Full extension concealed side mounts and soft closing
- Mounted on left hand side of cabinet
- 3D Door Adjustment
- Maximum load 12kg
- Non-slip mat included
- Available in White & Orion Grey

Item Code	Cabinet Width	System Width	System Depth	System Height	Colour
SG002PRO15G	150mm	110mm	490mm	490mm	Orion Grey
SG002PRO15W	150mm	110mm	490mm	490mm	White
SG002PRO20G	200mm	160mm	490mm	490mm	Orion Grey
SG002PRO20W	200mm	160mm	490mm	490mm	White



SYSTEM INCLUDES:



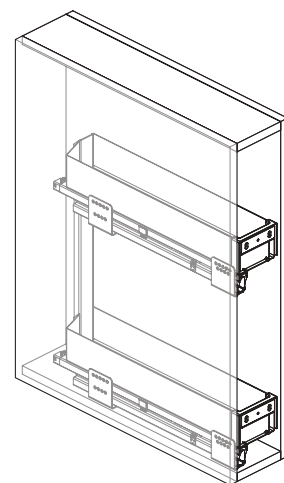
PRO20 Includes 4 x Bottle Holders



PRO15 Includes 4 x Bottle Dividers



Non-Slip Mat



BOTTLE RACKS & PULLOUTS



SIGE INFINITY PULLOUT BOTTLE RACK LARGE CAPACITY

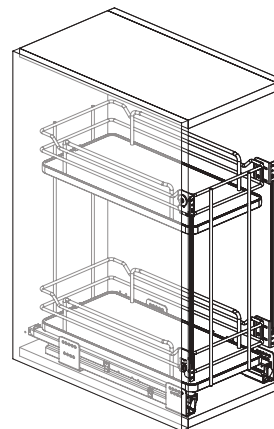
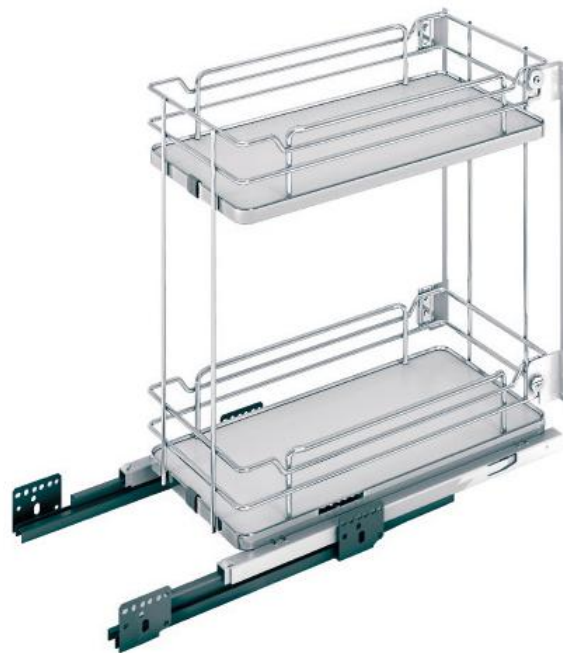
FOR 300-600mm
CABINETS

Pull out bottle organiser with separation kit

FEATURES

- White melamine base with chromed edge and two round wire rails
- Full extension concealed side mounts and soft closing
- 3D Door Adjustment
- Maximum load 40kg
- Includes bottle dividers

Item Code	Cabinet Width	System Width	System Depth	System Height
SG004i3050	300mm	264mm	500mm	520mm
SG004i4550	450mm	414mm	500mm	520mm
SG004i6050	600mm	564mm	500mm	520mm



SYSTEM INCLUDES:



Bottle Divider Kit for
SG004i3050



Bottle Divider Kit for
SG004i4050 & SG004i6050

BOTTLE RACKS & PULLOUTS



SIGE PRO PULLOUT BOTTLE RACK LARGE CAPACITY

NEW

FOR 300-600mm CABINETS

Pull out bottle organiser with separation kit

FEATURES

- Painted metal shelves
- Full extension concealed side mounts and soft closing
- 3D Door Adjustment
- Maximum load 40kg
- Non-slip mat included
- 4 x Bottle holders included
- Available in White & Orion Grey

Item Code	Cabinet Width	System Width	System Depth	System Height	Colour
SG004PRO30G	300mm	260mm	490mm	490mm	Orion Grey
SG004PRO30W	300mm	260mm	490mm	490mm	White
SG004PRO40G	400mm	360mm	490mm	490mm	Orion Grey
SG004PRO40W	400mm	360mm	490mm	490mm	White



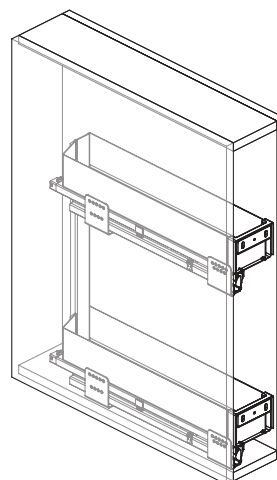
SYSTEM INCLUDES:



4 x Bottle Holders



Non-Slip Mat



BASE CABINET

BOTTLE RACKS & PULLOUTS



SIGE MULTI HUB

NEW

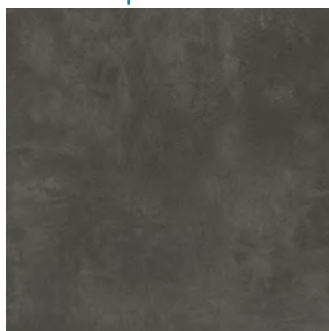
FOR 300mm CABINETS

Multipurpose Bottle & Utensil Hub

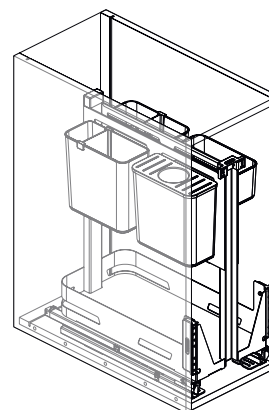
FEATURES

- Concrete Orion Colour Melamine Base
- Full extension concealed side mounts and soft closing
- Maximum load 30kg
- Central utensil hub

Item Code	Cabinet Width	System Width	System Depth	System Height	Colour
SG094M-OCO	300mm	300mm	495mm	600mm	Orion Grey



Melamine Base Colour Swatch





Vibo Bottle Organiser 2 Tier

BASE CABINET

BOTTLE RACKS & PULLOUTS



VIBO PULLOUT NARROW CABINET

FOR 150mm CABINETS

Pull out organiser for cabinets 150mm wide

FEATURES

- White melamine base with chromed edges, two elliptical wires (10mm x 4mm)
- Concealed side mount full extension slides with soft close
- Right or left version available
- Includes two three-way adjustable door brackets

Item Code	Cabinet Width	System Width	System Depth	System Height
VBPO2TIER152L	150mm	107mm	475mm	531mm
VBPO2TIER152R	150mm	107mm	475mm	531mm



BOTTLE RACKS & PULLOUTS

VIBO BOTTLE ORGANISER 2 TIER

FOR 300-450mm CABINETS



Pull out bottle organiser

FEATURES

- White melamine base with chromed edges, two elliptical wires (10mm x 4mm)
- Concealed side mount full extension slides with soft close
- Includes kit of spacers, side covers and two three-way adjustable door brackets
- Maximum load of 30kg

Item Code	Cabinet Width	System Width	System Depth	System Height
VBPO2TIER30	300mm	264mm	468mm	506mm
VBPO2TIER40	400mm	364mm	468mm	506mm
VBPO2TIER45	450mm	414mm	468mm	506mm



CORNER CABINETS

LAZY SUSANS



SIGE SOLID BASE 1/2 LAZY SUSAN

FEATURES

- Two rotating half circle shelves, mounted on a chrome post
- White melamine shelves with chrome edge and single round wire rail
- Maximum load 15kg per shelf



Item Code	System Width	System Depth	System Height	Minimum Opening	Minimum Cabinet Width
SG070i	864mm	450mm	700-750mm	450mm	900mm



LAZY SUSANS



SIGE WIRE BASE 3/4 LAZY SUSAN

FEATURES

- Two rotating three-quarter basket shelves, mounted on a chrome post
- Round wire baskets- 800mm diameter
- Maximum load 20kg per shelf

Item Code	System Width	System Depth	System Height	Minimum Opening	Minimum Cabinet Width
SSG361A90	800mm	800mm	700-750mm	Corner	900mm



LAZY SUSANS

VIBO 1/2 LAZY SUSAN



FEATURES

- Includes two half circle shelves with “fast block” fittings, shelf follower and chrome post (25mm diameter)
- White melamine base with chromed edge, single elliptical wire (10mm x 4mm)

Item Code	System Depth	System Width	System Height	Max Load Per Shelf
VBCAR660SHLF	370mm	660mm	645-790mm	9kg
VBCAR760SHLF	420mm	760mm	645-790mm	11kg



LAZY SUSANS

VIBO 3/4 LAZY SUSAN

FEATURES

- Includes two three-quarter circle pivoting carousel shelves with “fast block” fittings, shelf follower and chrome post (25mm diameter)
- White melamine base with chromed edge, single elliptical wire (10mm x 4mm)

Item Code	System Width	System Height	Max Load Per Shelf
VBCAR3/4715	715mm	645-720mm	13kg
VBCAR3/4815	815mm	645-720mm	16kg

VIBO
Design your space



BLIND CORNER

VIBO FLY MOON



FEATURES

- Easy to install & operate
- Left Hand + Right Hand Models available (Left Hand model pictured, Right Hand Model would come out from the right side of the corner cupboard)
- The Galaxy Chrome shelves have a white non-slip melamine base, chromed edge and two elliptical shaped rail (10mm x 4mm)
- The Urban GM shelves have a dark grey melamine base and aluminium rail
- Fly Moon can be installed in cabinets with 400, 450 or 600mm doors and are adjustable in height from 655 to 705mm
- Maximum load per shelf is 20kg
- Non soft-close option available for economical projects



Vibo Galaxy Chrome Fly Moon

GALAXY CHROME FLY MOON

Item Code	Door Width	Shelf Width	Shelf Depth	Shelf Height	Finish	Soft Closing	Left/Right Model
VBFLY3-NSC40LGCTR	400mm	734mm	399mm	86mm	Galaxy Chrome	✘	Left
VBFLY3-NSC40RGCTR	400mm	734mm	399mm	86mm	Galaxy Chrome	✘	Right
VBFLY3-NSC45LGCTR	450mm	816mm	434mm	86mm	Galaxy Chrome	✘	Left
VBFLY3-NSC45RGCTR	450mm	816mm	434mm	86mm	Galaxy Chrome	✘	Right
VBFLY3-NSC60LGCTR	600mm	974mm	453mm	86mm	Galaxy Chrome	✘	Left
VBFLY3-NSC60RGCTR	600mm	974mm	453mm	86mm	Galaxy Chrome	✘	Right
VBFLY3-40LGCTR	400mm	734mm	399mm	86mm	Galaxy Chrome	✓	Left
VBFLY3-40RGCTR	400mm	734mm	399mm	86mm	Galaxy Chrome	✓	Right
VBFLY3-45LGCTR	450mm	816mm	434mm	86mm	Galaxy Chrome	✓	Left
VBFLY3-45RGCTR	450mm	816mm	434mm	86mm	Galaxy Chrome	✓	Right
VBFLY3-60LGCTR	600mm	974mm	453mm	86mm	Galaxy Chrome	✓	Left
VBFLY3-60RGCTR	600mm	974mm	453mm	86mm	Galaxy Chrome	✓	Right



URBAN GM FLY MOON

Item Code	Door Width	Shelf Width	Shelf Depth	Shelf Height	Finish	Soft Closing	Left/Right Model
VBFLY3-40LUGM	400mm	737mm	403mm	74mm	Urban GM	✓	Left
VBFLY3-40RUGM	400mm	737mm	403mm	74mm	Urban GM	✓	Right
VBFLY3-45LUGM	450mm	819mm	438mm	74mm	Urban GM	✓	Left
VBFLY3-45RUGM	450mm	819mm	438mm	74mm	Urban GM	✓	Right
VBFLY3-60LUGM	600mm	980mm	464mm	74mm	Urban GM	✓	Left
VBFLY3-60RUGM	600mm	980mm	464mm	74mm	Urban GM	✓	Right

BLIND CORNER

SIGE ECO NUVOLO

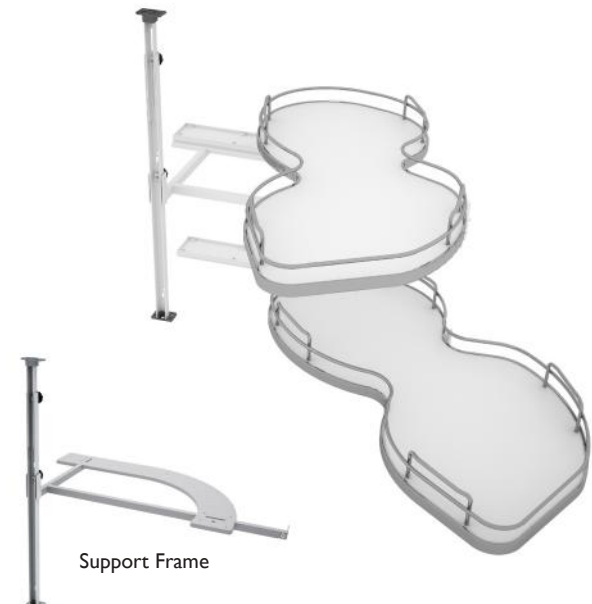


FEATURES

- Fits a number of cabinet sizes
- Easy to install and operate
- The kit includes two pull out shelves and a mounting track
- Each shelf is installed separately and the track is fixed to the cabinet shelf immediately below the Nuvola shelf
- Left Hand + Right Hand models available (Right hand model pictured, Left hand model would come out from the left side of the corner cupboard)
- The shelves have a white melamine base with chromed edge and a single round wire rail
- Each shelf is operated independently
- Maximum load per shelf is 20 kg
- A frame kit is available to use instead of building a middle shelf in the cabinet.



Item Code	Item	Cabinet Width	Cabinet Depth	Minimum Opening	Left/Right Hand Model
SG37145L	Shelves & Arms	900mm	510mm	420mm	Left
SG37145R	Shelves & Arms	900mm	510mm	420mm	Right
SG37160L	Shelves & Arms	1000mm	510mm	570mm	Left
SG37160R	Shelves & Arms	1000mm	510mm	570mm	Right
SG37145KL	Shelves, Arms & Frame	900mm	510mm	420mm	Left
SG37145KR	Shelves, Arms & Frame	900mm	510mm	420mm	Right
SG37160KL	Shelves, Arms & Frame	1000mm	510mm	570mm	Left
SG37160KR	Shelves, Arms & Frame	1000mm	510mm	570mm	Right
SG371FL	Support Frame Only				Left
SG371FR	Support Frame Only				Right



Support Frame



BLIND CORNER

VIBO FLYBOX - "THE CORNER EVOLUTION"

Fly Box is the latest solution for your kitchen corner where functionality, practicality and design are combined in a single product.

Made in Italy by Vibo.

Square storage, Full extension, Single Movement and Non-door-mounting – the discerning Designer or Cabinetmaker’s dream list!

The Fly Box kitchen corner mechanism has two independent layers comprising two square baskets that are fully extended in a single movement to make the most of the space and have everything always at hand.

Not being door-mounted means you won’t be back on site to adjust that anytime soon!

With a fast install time, Completely reversible design (no left and rights) and easily removed baskets – the Flybox really is the new king of the corner

The Flybox has been awarded the Best of the Best by the Interzum Award 2019.



NEW

FEATURES

- Maximise space optimization
- 4 easy removable baskets for a better cleaning
- Reversible
- Load capacity 25kg per tier
- 2 independent movement levels
- The shelves have a white melamine base with chromed edge and a single round wire rail
- Total extension through a single movement
- +29% of usable volume
- +29% of removable usable surface
- No door mounting

Item Code	Cabinet Width	Cabinet Height	Door Width
VBFB45LG	900mm	500mm	450mm
VBFB60LG	900mm	500mm	600mm

* Note: Only the front basket size increases for the VBFB60LG



Flybox Base Mechanism



Flybox Shelves



BLIND CORNER

VIBO SMART CORNER



Design your space

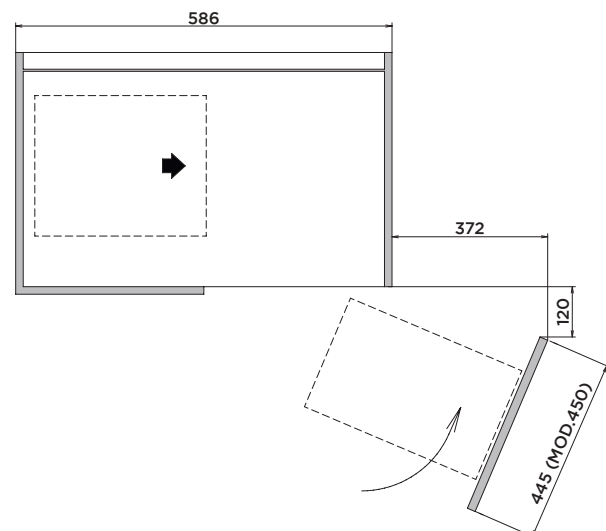
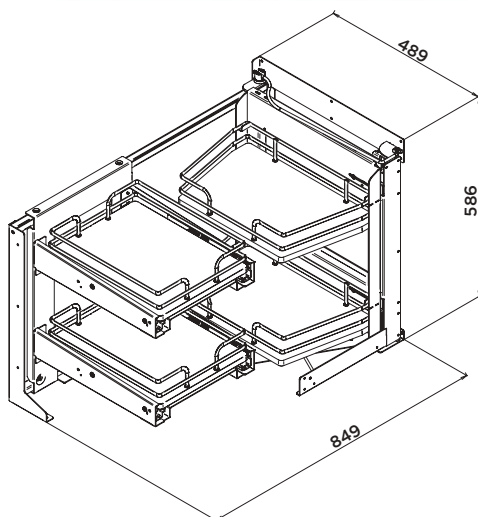
FEATURES

- For a 450mm base cabinet door
- Left Hand + Right Hand Models available (Left Hand model pictured, Right Hand Model would come out from the right side of the corner cupboard)
- The unit includes two door baskets and two full extension inner drawers, with elliptical wire frame (10mm x 4mm), white non-slip melamine base and chromed edge
- Maximum weight per front baskets is 5kg
- Maximum weight per shelf is 15kg
- Dampened Return & Soft-Closing
- Inner drawers pullout

Item Code	Cabinet Width	System Depth	System Width	Orientation
VBSMART45L	900mm	489mm	851mm	Left Hand
VBSMART45R	900mm	489mm	851mm	Right Hand



Smart Corner Baskets





TALL CABINETS

VIBO PULLOUT BROOM RACK

For 150mm Cabinet Door

VIBO
Design your space

FEATURES

- Includes 2 x clips for broom handles
- Lower and Upper transparent SAN trays and kit of 4 dividers
- 3 extension soft closing slides
- Three way adjustable door brackets included
- Left Hand + Right hand models available

Item Code	System Width	System Depth	System Height	Orientation
VBBRML	107mm	469mm	1700mm	Left Hand
VBBRMR	107mm	469mm	1700mm	Right Hand





Sige Proline Pantry

TALL CABINETS

PULL OUT PANTRIES

VIBO PULLOUT PANTRY



FEATURES

- The frame is height adjustable
- Full extension slide with dampened soft-closing
- Two frame height options : 1393 to 1693mm and 1693 to 1993mm
- Five cabinet width options : 300, 400, 450, 500 and 600mm wide
- Galaxy Chrome shelves feature double elliptical wire rails (10 x 4mm) and a white non-slip melamine base
- Lamina GM shelves are painted metal baskets
- Each unit includes a frame and slide, four or five baskets shelves and two or three door mounting brackets
- Maximum load 120kg

VIBO PULL OUT PANTRY GALAXY CHROME

Item Code	Cabinet Width	System Depth	System Height	Finish
VBLARD16.30GC	300mm	497mm	1393-1693mm	Galaxy Chrome
VBLARD19.30GC	300mm	497mm	1693-1993mm	Galaxy Chrome
VBLARD16.40GC	400mm	497mm	1393-1693mm	Galaxy Chrome
VBLARD19.40GC	400mm	497mm	1693-1993mm	Galaxy Chrome
VBLARD16.45GC	450mm	497mm	1393-1693mm	Galaxy Chrome
VBLARD19.45GC	450mm	497mm	1693-1993mm	Galaxy Chrome
VBLARD16.50GC	500mm	497mm	1393-1693mm	Galaxy Chrome
VBLARD19.50GC	500mm	497mm	1693-1993mm	Galaxy Chrome
VBLARD16.60GC	600mm	497mm	1393-1693mm	Galaxy Chrome
VBLARD19.60GC	600mm	497mm	1693-1993mm	Galaxy Chrome



Vibo Galaxy Chrome Pantry





Vibo Lamina GM Pantry

VIBO PULL OUT PANTRY LAMINA GM

Item Code	Cabinet Width	System Depth	System Height	Finish
VBLARD19.15LGM	150mm	497mm	1693-1993mm	Lamina GM
VBLARD19.30LGM	300mm	497mm	1693-1993mm	Lamina GM
VBLARD19.45LGM	450mm	497mm	1693-1993mm	Lamina GM
VBLARD19.60LGM	600mm	497mm	1693-1993mm	Lamina GM

TALL CABINETS

PULL OUT PANTRIES

SIGE INFINITY PULLOUT PANTRY

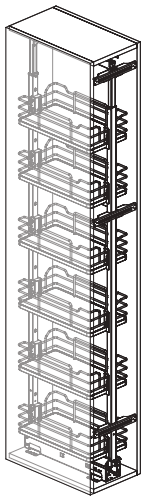


FEATURES

- Three frame height options : 1215-1515mm, 1615-1915mm and 1880-2180mm
- Four cabinet width options: 300, 400, 450 & 600mm wide
- Infinity shelves have white melamine base with chromed edge and two round wire rails
- Each unit includes a frame and soft close slider, four or five baskets shelves and three door mounting brackets
- Maximum load 120kg

INFINITY PULL OUT PANTRY

Item Code	Cabinet Width	System Depth	System Height
SG255B3050	300mm	500mm	1215-1515mm
SG255M3050	300mm	500mm	1615-1915mm
SG255A3050	300mm	500mm	1880-2180mm
SG255B4050	400mm	500mm	1215-1515mm
SG255M4050	400mm	500mm	1615-1915mm
SG255A4050	400mm	500mm	1880-2180mm
SG255B4550	450mm	500mm	1215-1515mm
SG255M4550	450mm	500mm	1615-1915mm
SG255A4550	450mm	500mm	1880-2180mm
SG255B6050	600mm	500mm	1215-1515mm
SG255M6050	600mm	500mm	1615-1915mm
SG255A6050	600mm	500mm	1880-2180mm



Sige Infinity Pantry Frame



Sige Infinity Pantry Basket



PULL OUT PANTRIES

SIGE PROLINE PULLOUT PANTRY



FEATURES

- Two frame height options: 1615-1915mm and 1880-2180mm
- Seven cabinet width options: 150, 200, 300, 400, 450, 500 & 600mm wide
- Proline shelves are painted metal baskets
- Each unit includes a frame and soft close slider, four or five baskets shelves and three door mounting brackets
- Maximum load 120kg
- 150 & 200 Proline pantries maximum load 80kg

PROLINE PULL OUT PANTRY 150-200mm

Item Code	Cabinet Width	System Depth	System Height	Colour
SG258PRO15W	150mm	500mm	1880-2180mm	White
SG258PRO15G	150mm	500mm	1880-2180mm	Orion Grey
SG258PRO20W	200mm	500mm	1880-2180mm	White
SG258PRO20G	200mm	500mm	1880-2180mm	Orion Grey



Size 150, 200 Proline Pantry



Size 150 & 200 Proline Pantry Frame

INCLUDES:



Non-Slip Mat

TALL CABINETS

PROLINE PULL OUT PANTRY 300-600mm				
Item Code	Cabinet Width	System Depth	System Height	Colour
SG255MPRO3050-W	300mm	500mm	1615-1915mm	White
SG255APRO3050-W	300mm	500mm	1880-2180mm	White
SG255MPRO4050-W	400mm	500mm	1615-1915mm	White
SG255APRO4050-W	400mm	500mm	1880-2180mm	White
SG255MPRO4550-W	450mm	500mm	1615-1915mm	White
SG255APRO4550-W	450mm	500mm	1880-2180mm	White
SG255MPRO5050-W	500mm	500mm	1615-1915mm	White
SG255APRO5050-W	500mm	500mm	1880-2180mm	White
SG255MPRO6050-W	600mm	500mm	1615-1915mm	White
SG255APRO6050-W	600mm	500mm	1880-2180mm	White

PROLINE PULL OUT PANTRY 300-600mm				
Item Code	Cabinet Width	System Depth	System Height	Colour
SG255MPRO3050-OG	300mm	500mm	1615-1915mm	Orion Grey
SG255APRO3050-OG	300mm	500mm	1880-2180mm	Orion Grey
SG255MPRO4050-OG	400mm	500mm	1615-1915mm	Orion Grey
SG255APRO4050-OG	400mm	500mm	1880-2180mm	Orion Grey
SG255MPRO4550-OG	450mm	500mm	1615-1915mm	Orion Grey
SG255APRO4550-OG	450mm	500mm	1880-2180mm	Orion Grey
SG255MPRO5050-OG	500mm	500mm	1615-1915mm	Orion Grey
SG255APRO5050-OG	500mm	500mm	1880-2180mm	Orion Grey
SG255MPRO6050-OG	600mm	500mm	1615-1915mm	Orion Grey
SG255APRO6050-OG	600mm	500mm	1880-2180mm	Orion Grey



Sige 300-600mm
Proline Pantry Frame



PULL OUT PANTRIES

SIGE PROLINE 3-TIER UNIT



FEATURES

- Full extension left slides and soft closing
- Shelves have painted metal basket
- Maximum load 10kg

SIGE PROLINE 3-TIER UNIT

Item Code	Cabinet Width	System Depth	System Height	Colour
SG249PRO15W	150mm	500mm	770mm	White
SG249PRO15G	150mm	500mm	770mm	Orion Grey



Sige Proline 3-Tier unit White



Sige Proline 3-Tier unit
Frame Only



Sige Proline 3-Tier unit Orion Grey

TALL CABINETS

SLIMBOX PANTRY DRAWERS

SLIMBOX INNER DRAWER FRONTS

Use the SLIMBOX inner drawer fronts to make a pantry style bank of drawers. We supply the panels and bar (for 180mm front panel only) in 1.8m lengths and the brackets for each of the heights 90mm, 130mm & 180mm.



See page 62 for Slimbox Drawer System



Item Code - Panels	Colour	Width	Height
DSLIMINNPANV90	White	1.8m	90mm
DSLIMINNPANANTH90	Anthracite	1.8m	90mm
Item Code - Bar (For 180mm Front Panel)	Colour	Width	Height
DSLIMINNBARW	White	1.8m	17mm
DSLIMINNBARANTH	Anthracite	1.8m	17mm
Item Code - Brackets (Includes Panel Side Bracket, Fixings & Cover)	Colour	Width	Height
DSLIMINNFRW90	White	-	90mm
DSLIMINNFRANTH90	Anthracite	-	90mm
DSLIMINNFRW130	White	-	130mm
DSLIMINNFRANTH130	Anthracite	-	130mm
DSLIMINNFRW180	White	-	180mm
DSLIMINNFRANTH180	Anthracite	-	180mm





EXAMPLE ORDER

To create the pantry pictured you would need to order:

- Panel x 2 Lengths
Code: DSLIMINNPANANTH90
- Bar x 1 Lengths
Code: DSLIMINNBARANTH
- Brackets 130mm x 2
Code: DSLIMINNFRANTH130
- Bracket Covers 130mm x 2
Code: DSLIMINNFRANTH130C
- Brackets 180mm x 3
Code: DSLIMINNFRANTH180 x 3
- Bracket Covers 180mm x 3
Code: DSLIMINNFRANTH180C

SIGE CUPBOARD STORAGE KITS NEW



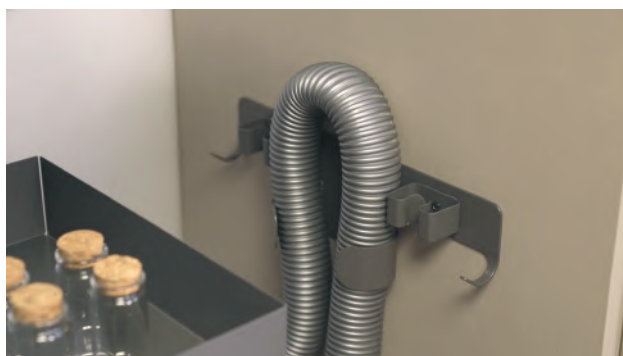
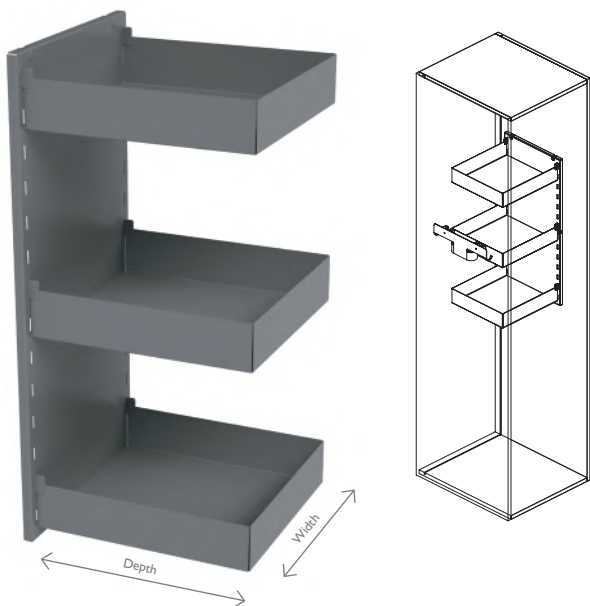
610L STORAGE KIT

FEATURES

- Orion Grey
- To be mounted internally in the door of any cupboard
- Three shelves + a broom/tube included

Item Code	Cabinet Width	System Width	System Depth	System Height
SG610LG	500/600mm	340mm	350mm	730mm

Sige 610L Storage Kit - Frame Only



Tube Holder



SIGE CUPBOARD STORAGE KITS NEW



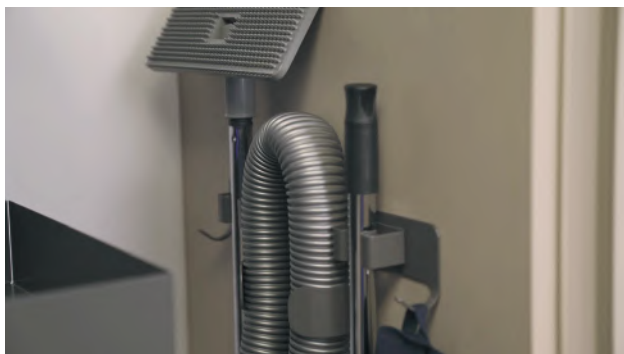
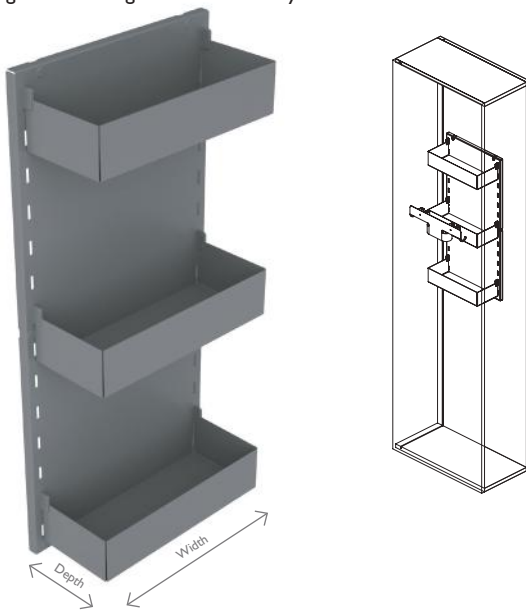
610S STORAGE KIT

FEATURES

- Orion Grey
- To be mounted internally in the door of any cupboard
- Three shelves + a broom/tube included

Item Code	Cabinet Width	System Width	System Depth	System Height
SG610SG	300-600mm	340mm	150mm	730mm

Sige 610S Storage Kit - Frame Only



Tube Holder



SIGE CUPBOARD STORAGE KITS NEW



615 STORAGE KIT

FEATURES

- Orion Grey
- To be mounted internally in the door of any cupboard
- Two shelves + accessory with multipurpose hooks

Item Code	Cabinet Width	System Width	System Depth	System Height
SG615G	400mm	230mm	100mm	430mm



Sigé 615L Storage Kit
- Frame Only



SOUS CHEF KITCHEN RAIL SYSTEM

Gollinucci
DESIGNED FOR EVERY DAY

MADE IN ITALY

The Sous-Chef Kitchen Rail system is designed to accessorise walls near the working area in the kitchen and to clear the worktop.

It is composed of a bar in painted aluminium equipped with practical multipurpose hooks.

The trays included in all Sous-Chef collection products can be hooked on the bar to organise and personalise the kitchen spaces.

Some options are available: additional trays with an extractable spice tray and a paper towel holder, that can be unhooked and used on the top thanks to it's vertical support.

The smart and minimalist shape of both the main aluminium component and the metal hooks suit every kitchen type.

RAIL SYSTEM BASE 60 INCLUDES:

- 1 x Painted Aluminium Bar
- 2 x Painted Aluminium Hooks
- 2 x Hidden Metal Supports for fixation
- Total width 600mm

RAIL SYSTEM BASE 90 INCLUDES:

- 1 x Painted Aluminium Bar
- 3 x Painted Aluminium Hooks
- 2 x Hidden Metal Supports for fixation
- Total width 900mm



Item Code	Item	Height	Depth	Width	Finish
GSCR-60BK	600mm Rail System	15mm	305mm	403-440mm	Black
GSCR-90BK	900mm Rail System	15mm	305mm	353-390mm	Black
GSCR-PHBK	Paper Towel Holder	10mm	183mm	495-615mm	Black
GSCR-BSTOG	Box & Spice Tray	16mm	161mm	394-451mm	Orion Grey



Paper Towel Holder



Box & Spice Tray



See page 84 for Sous Chef Storage systems

TEA TOWEL RAILS

PULL OUT TEA TOWEL RAIL

FEATURES

- Anodised Aluminium Finish
- 460mm Long
- Available in 2 or 3 bars



Item Code	Item	Width	Quantity
TTRP.460.2	2 Bar Tea Towel Rail	93mm	Each
TTRP.460.3	3 Bar Tea Towel Rail	152mm	Each



2 Bar Tea Towel Rail



3 Bar Tea Towel Rail

TEA TOWEL RAILS

Item Code	Hole Centres	Finish	Length	Height	Quantity
TTR.SC.160	160mm	Satin Chrome	189mm	39mm	Each
TTR.SC.200	200mm	Satin Chrome	229mm	39mm	Each
TTR.BN.200	200mm	Brushed Nickel	229mm	39mm	Each
TTR.BN.300	300mm	Brushed Nickel	329mm	39mm	Each
TTR.SC.320	320mm	Satin Chrome	350mm	39mm	Each



WINE GLASS HOLDER

- 304 Stainless Steel

Item Code	Length	Height	Rear Width	Front Width	Quantity
WGH280	278mm	45mm	110mm	60mm	Each
WGH360	345mm	45mm	110mm	60mm	Each



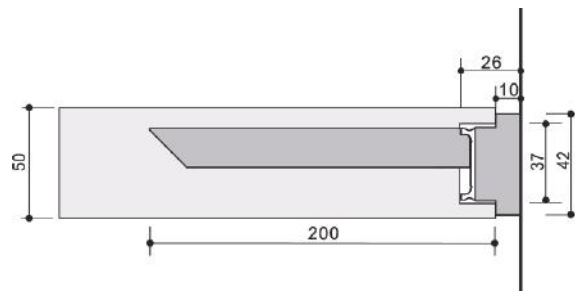
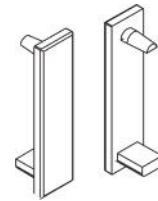
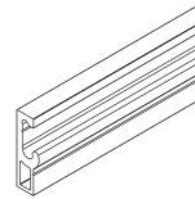
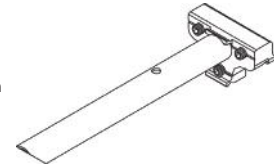
FLOATING SHELF

FEATURES

- Recommended shelf thickness 50mm
- Recommended shelf depth 250-300mm
- Load 12kg/arm evenly distributed
- Arms max 550mm apart
- Tilt adjustment approx - + 4°
- Note Wood not supplied



Item Code	Item	Quantity
FSAB.8160.37.190	Arm Block 190mm	Each
FSMT.8160.38.042	Mounting Track	2.4m Length
FSTEC.8160.43.001	Track End Caps	Pair

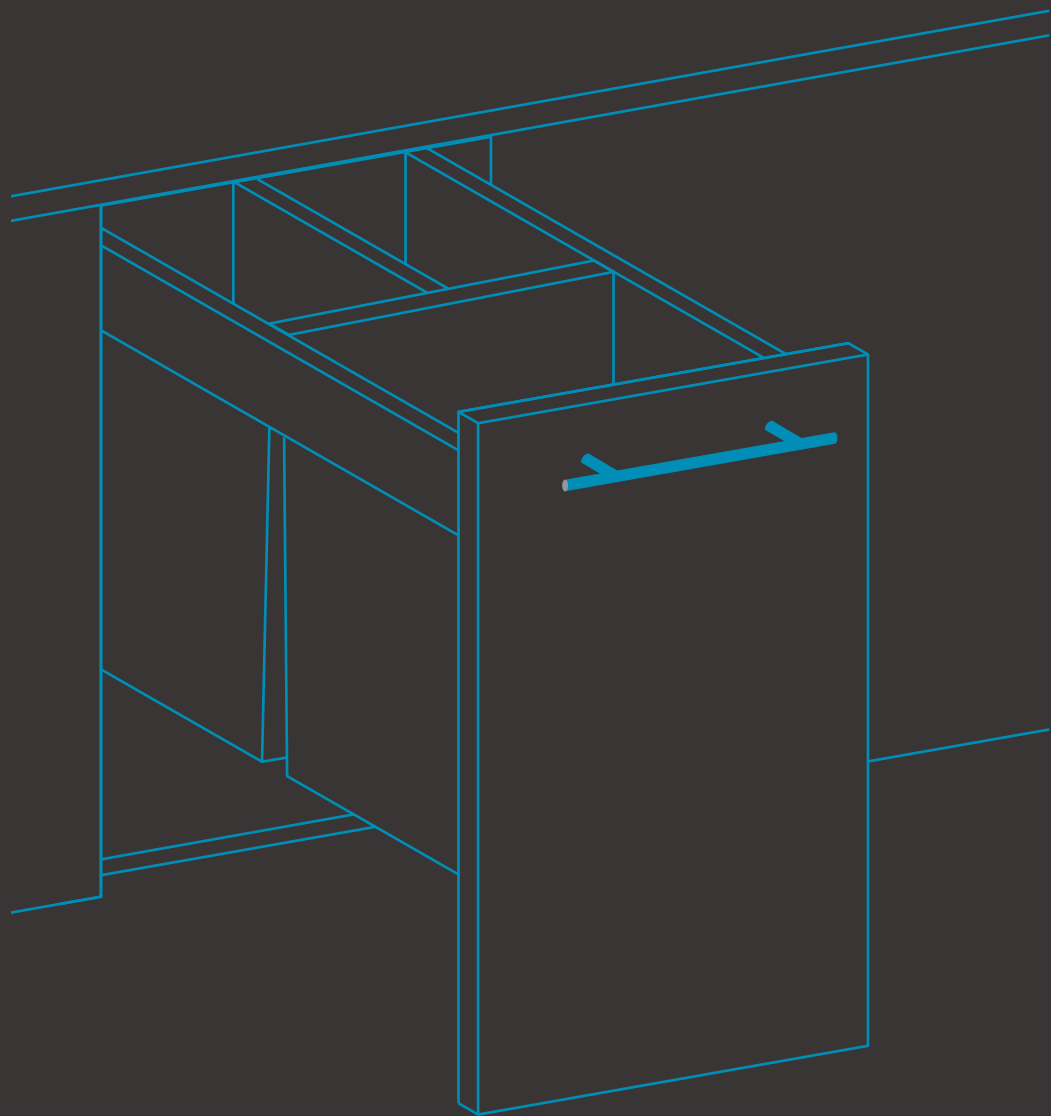




4

BIN SYSTEMS

DRAWER FRAME HANGING BINS	128	DRAWER & DOOR PULL BINS	135	LAUNDRY BINS	139
IN-DRAWER BINS	132	SWING OUT BINS	138		



DRAWER FRAME HANGING BINS

Gollinucci
DESIGNED FOR EVERY DAY

MADE IN ITALY

GOLLINUCCI CONCEPT 560 BIN

FEATURES

- Keep all drawer systems the same in your project
- All Concept kits are for drawers 500mm deep
- Concept 560 kits can be fitted into most brands of drawer that are already installed into cabinetry, keeping all the drawers in the kitchen the same
- These brands include: Blum Tandembox Plus, Blum Tandembox Intivo, Grass DVD XP, Grass Nova Pro Deluxe, Grass Nova Pro Classic and Hettich Architech
- Bins available for cabinets 300mm, 400mm, 450mm and 500mm
- Two colours available - Light Grey + Orion Grey
- Capacity from 16 litres to 58 litres
- Bins either 298mm or 463mm high
- Bins supplied with lids
- Can be mounted in 16mm and 19mm cabinets
- Loose bins available to purchase - see page 134 for details & codes

Note: These kits cannot be installed in drawers where the Blum Tip On system is used.



GOLLINUCCI CONCEPT 560 BIN						
Item Code	Cabinet Width	Bin Height	Bin Finish	Capacity		
RPBIN30.298.LG	300mm	298mm	Light Grey	16 Litres	8 + 8	
RPBIN30.298.OG	300mm	298mm	Orion Grey	16 Litres	8 + 8	
RPBIN40.298.LG	400mm	298mm	Light Grey	25 Litres	8 + 17	
RPBIN40.298.OG	400mm	298mm	Orion Grey	25 Litres	8 + 17	
RPBIN40.463.LG	400mm	463mm	Light Grey	37 Litres	8 + 29	
RPBIN40.463.OG	400mm	463mm	Orion Grey	37 Litres	8 + 29	
RPBIN45.298.LG	450mm	298mm	Light Grey	34 Litres	17 + 17	
RPBIN45.298.OG	450mm	298mm	Orion Grey	34 Litres	17 + 17	
RPBIN45.463.LG	450mm	463mm	Light Grey	58 Litres	29 + 29	
RPBIN45.463.OG	450mm	463mm	Orion Grey	58 Litres	29 + 29	
RPBIN50.298.LG	500mm	298mm	Light Grey	34 Litres	17 + 17	
RPBIN50.463.LG	500mm	463mm	Light Grey	58 Litres	29 + 29	
RPBIN50.463.OG	500mm	463mm	Orion Grey	58 Litres	29 + 29	

Bins can be ordered with 16mm adaptors included by adding KIT to the end of the code.

DRAWER FRAME HANGING BINS

GOLLINUCCI CONCEPT 571 - BLUM LEGRABOX

Gollinucci
DESIGNED FOR EVERY DAY

MADE IN ITALY

FEATURES

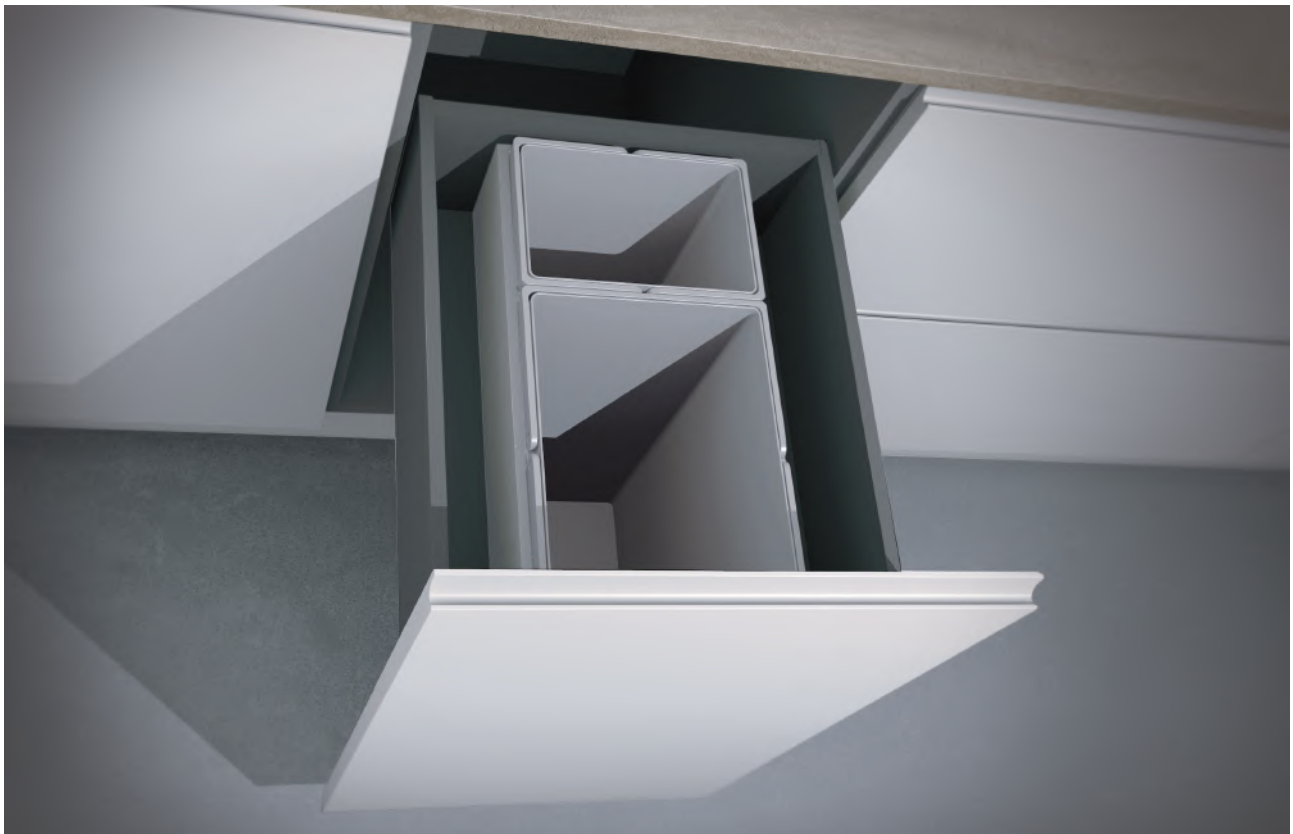
- All Concept kits are for drawers 500mm deep
- Concept 571 kits fit into Blum Legrabox, C height
- Bins available for cabinets 450mm and 500mm
- Capacity from 37 litres to 60 litres
- Bins either 360mm or 463mm high
- Can be mounted in 16mm and 19mm cabinets

Note: These kits cannot be installed in drawers where the Blum Tip On system is used.



GOLLINUCCI CONCEPT 571 BUILT-IN BIN

Item Code	Cabinet Width	Bin Height	Bin Finish	Capacity
RPBIN45.463BLUM	450mm	463mm	Grey	37 Litres 8 + 29
RPBIN60.368BLUM	600mm	368mm	Orion Grey	60 Litres 30 + 30





DRAWER FRAME HANGING BINS

GOLLINUCCI LARGE CAPACITY HANGING BINS

Bins mounted on runners can be positioned near the top of the cabinet so that waste is moved easily from the bench to the bin.

FEATURES

- Configurations for cabinets 450mm, 500mm and 600mm wide
- Supplied with industry-leading soft-close, full extension drawer runners, fixing to fit a drawer front.
- Metal lid
- Metallic grey frame & grey bins

GOLLINUCCI PREMIUM HANGING BINS					
Item Code	Cabinet Width	System Width	System Depth	System Height	Capacity
GBIN45.60	450mm	400mm	500mm	480mm	60 Litres 30 + 30
GBIN50.60	500mm	450mm	500mm	480mm	60 Litres 30 + 30
GBIN60.60	600mm	550mm	450mm	480mm	60 Litres 30 + 30



IN-DRAWER BINS



VIBO SECURE IN-DRAWER BINS

Range of Italian bins and accessory container/boxes that can be mounted in drawers.

FEATURES

- The kits include the light grey bin, anthracite lid and handles, and two mount brackets which are screwed to the base of the drawer
- The brackets prevent the bins from moving in the drawers and are easy to clean and maintain
- This system can be used in new kitchens or as a retrofit in existing kitchens
- There are five bin options from 9 litres to 30 litres and two containers for accessories, dish cloths and bottles of cleaning materials etc.




GOLLINUCCI PREMIUM HANGING BINS

Item Code	Length	Depth	Height	Capacity
VBBIN.SM09	219mm	183mm	310mm	9 Litres
VBBIN.ME12	293mm	219mm	260mm	12 Litres
VBBIN.ME15	293mm	219mm	310mm	15 Litres
VBBIN.LA16	365mm	219mm	260mm	16 Litres
VBBIN.LA30	365mm	219mm	460mm	30 Litres
VBBIN.BOXS (with 1 divider)	194mm	161mm	85mm	N/A
VBBIN.BOXL (with 2 dividers)	263mm	194mm	85mm	N/A



EXAMPLES OF COMBINATIONS

CABINET	300	400	450	500	600		
Approx Useable W x D	230 x 400	330 x 400	380 x 400	430 x 400	530 x 400		
Item Code	Bin Height	Litres					
VBBIN.SM09	310	9 + 9 9 + Box S	9 + 9 9 + Box L 9 + 2 Box S	9 + 9 9 + Box L 9 + 2 Box S			
VBBIN.ME12	260	12	12 12 + Box L 12 + 2 Box S	12 12 + Box L 12 + 2 Box S	12 12 + Box L 12 + 2 Box S	12 + 12 12 + 12 + Box L 12 + 12 + Box S 12 + Box L + Box S 12 + 2 Box L 12 + 2 Box S	
VBBIN.ME15	310	15	15 + 9 15 + Box L 15 + 2 Box S	15 + 9 15 + Box L 15 + 2 Box S	15 + 9 15 + Box L 15 + 2 Box S	15 + 15 15 + 15 + Box L 15 + 15 + Box S 15 + Box L + Box S 15 + 2 Box L 15 + 2 Box S	
VBBIN.LA16	260	16	16	16 16 + Box L 16 + 2 Box S	16 16 + 16 16 + Box L 16 + 2 Box S	16 + 16 16 + 2 Box L 16 + 2 Box S 16 + Box L + Box S	
VBBIN.LA30	460	30	30	30 30 + Box L 30 + 2 Box S	30 30 + 30 30 + Box L 30 + 2 Box S	30 + 30 30 + 2 Box L 30 + 2 Box S 30 + Box L + Box S	



IN-DRAWER BINS

GOLLINUCCI LOOSE BINS

Gollinucci
DESIGNED FOR EVERY DAY

MADE IN ITALY

Replacement bins for Concept 560 Kits or on their own as In-Drawer Bins

FEATURES

- Available in two colour options - Orion Grey & Light Grey
- Comes with lid
- Three options 8 Litres, 17 Litres & 29 Litres
- Sit loose in drawers

GOLLINUCCI CONCEPT 571 LOOSE BINS

Item Code	Length	Depth	Height	Bin Finish	Capacity
RPBIN.8.LG	223mm	151mm	298mm	Light Grey	8 Litres
RPBIN.8.OG	223mm	151mm	298mm	Orion Grey	8 Litres
RPBIN.17.LG	304mm	226mm	298mm	Light Grey	17 Litres
RPBIN.17.OG	304mm	226mm	298mm	Orion Grey	17 Litres
RPBIN.29.LG	304mm	226mm	463mm	Light Grey	29 Litres
RPBIN.29.OG	304mm	226mm	463mm	Orion Grey	29 Litres





DRAWER & DOOR PULL BINS

GOLLINUCCI EUROPEAN HAND PULL/ IN-CUPBOARD

FEATURES

- Full extensions slides
- Removeable lid
- Easy to install (4 screws)
- Options for 300mm & 400mm cabinets
- Options from 28 litres to 42 Litres



BIN SYSTEMS 4

GOLLINUCCI EUROPEAN HAND PULL/ IN-CUPBOARD BINS

Item Code	Cabinet Width	System Width	System Depth	System Height	Capacity
GBIN30.28	300mm	255mm	450mm	400mm	28 Litres 14 + 14
GBIN30.30	300mm	255mm	450mm	400mm	30 Litres 30
GBIN40.32	400mm	343mm	473mm	339mm	32 Litres 16 + 16
GBIN40.42	400mm	343mm	473mm	400mm	42 Litres 21 + 21



GBIN30.28



GBIN30.30



GBIN40.32



GBIN40.42

FEATURES

- Full extensions slides
- Auto opening lid
- Easy to install

GOLLINUCCI EUROPEAN HAND PULL/ IN-CUPBOARD BINS

Item Code	Cabinet Width	System Width	System Depth	System Height	Capacity
GBIN30.16	300mm	230mm	380mm	360mm	16 litres



GBIN30.16

DRAWER & DOOR PULL BINS



SIGE EUROPEAN HANDLE PULL BINS

FEATURES

- Full extension, wire frame
- Removable lids
- Easy to install
- SG582 includes door mounts

SIGE EUROPEAN HANDLE PULL BINS

Item Code	Cabinet Width	System Width	System Depth	System Height	Capacity
SG580	400mm	400mm	450mm	400mm	32 Litres 16 + 16
SG582	400mm	400mm	450mm	480mm	48 Litres 24 + 24



SG580



SG582



SG582



SG580



SG582

DRAWER & DOOR PULL BINS



KIMBERLEY PULLOUT BINS

- These bins are mounted in a frame that is attached to the floor or onto a shelf within the cabinet
- For door cabinets 300mm, 400mm and wider
- Capacity from 15 litres to 30 litres
- Australian made

15 LITRE SINGLE SLIDE OUT BIN

FEATURES

- Made in Australia, with a long history in New Zealand
- Hi-impact plastic construction
- Base or shelf mounted
- Easy to install (4 screws)
- Smooth ball bearing runners
- Removeable bin



KRB16

15 LITRE SINGLE SLIDE OUT BIN

Item Code	Cabinet Width	System Width	System Depth	System Height	Capacity	Frame Type
KRB16	300mm Min	266mm	390mm	345mm	15 Litres	Plastic

30 LITRE TWIN BIN SYSTEM

FEATURES

- Made in Australia, with a long history in New Zealand
- Base or shelf mounted
- Easy to install (4 screws)
- Smooth ball bearing runners
- Removeable bins
- KRB06 can be under-bench mounted
- KRB06D comes with brackets, max door weight 4kg

30 LITRE TWIN BIN SYSTEM

Item Code	Cabinet Width	System Width	System Depth	System Height	Capacity	Mount	Frame Type
KRB06	400mm Min	350mm	525mm	340mm	30 Litres	Cabinet	Metal
KRB06D	400mm Min	350mm	525mm	340mm	30 Litres	Door	Metal
KRB08	400mm Min	350mm	525mm	340mm	30 Litres	Cabinet	Plastic



KRB06



KRB06D



KRB08

SWING OUT BINS

SIGE CONCEALED WASTE BIN

Simple round bin attached to the door of a cabinet with a self lifting lid.

FEATURES

- Grey
- 10 Litre capacity
- Removeable Hi-impact plastic bin
- Left or Right opening

Item Code	Cabinet Width	System Width	System Depth	System Height	Capacity
SG500	400mm	277mm	277mm	355mm	10 Litres



KIMBERLEY CONCEALED WASTE BIN

Simple round bin attached to the door of a cabinet with a self lifting lid.

FEATURES

- White
- 10 Litre capacity
- Removeable Hi-impact plastic bin
- Left or Right opening
- Internal minimum installation requirements: 420mm High, 300mm Deep, 360mm Wide
- Australian made

Item Code	Cabinet Width	System Width	System Depth	System Height	Capacity
KRB02	400mm	357mm	280mm	325mm	10 Litres



LAUNDRY BINS



GOLLINUCCI EUROPEAN EASI LIFT LAUNDRY BIN

Perforated bin for laundry

FEATURES

- White
- Perforated bin
- Under-Bench mount
- Minimal lifting to remove bin
- Easy to remove bin
- Flexibility re cabinet size - no cabinet walls needed for installation



Item Code	Cabinet Width	System Width	System Depth
GBINL50.50UB	Cabinet Minimum 500W/360D/600H	530mm	50 Litres
GBINL55.40UB	Cabinet Minimum 550W/310D/600H	530mm	40 Litres

BIN SYSTEMS

See pages 120-121 for laundry cupboard storage solutions



LAUNDRY BINS

LAUNDRY BINS

Gollinucci
DESIGNED FOR EVERY DAY

MADE IN ITALY

GOLLINUCCI EUROPEAN PULLOUT LAUNDRY BIN

Pullout laundry bin with suspended buckets

FEATURES

- White
- Perforated bin
- These kits fits into Blum Tandembox Plus, Blum Tandembox Intivo, Grass DWD XP, Grass Nova Pro Deluxe, Grass Nova Pro classic and Hettich Architech

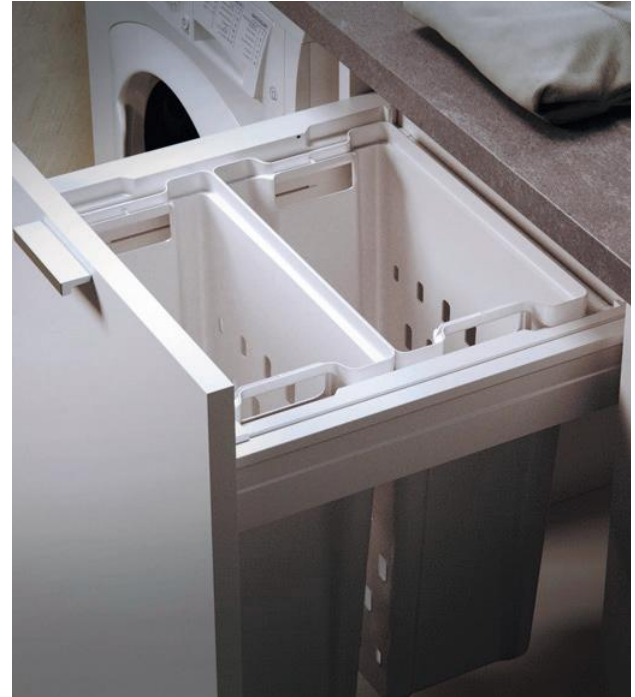
Item Code	Cabinet Width	Dimensions	Capacity
GBINL45.50	450mm	385W x 320D x 505H (Base 295W x 265D)	50 Litres
GBINL60.80	600mm	Each bin 420W x 230D x 505H (Base 340W x 185D)	80 Litres 40 + 40



GBINL45.50



GBINL60.80



GOLLINUCCI EUROPEAN TILT OUT LAUNDRY BIN

Tilt out laundry bin

FEATURES

- White
- Perforated bin
- Uses tilt out mechanism instead of pull out slides
- Large capacity 50 Litre removable basket

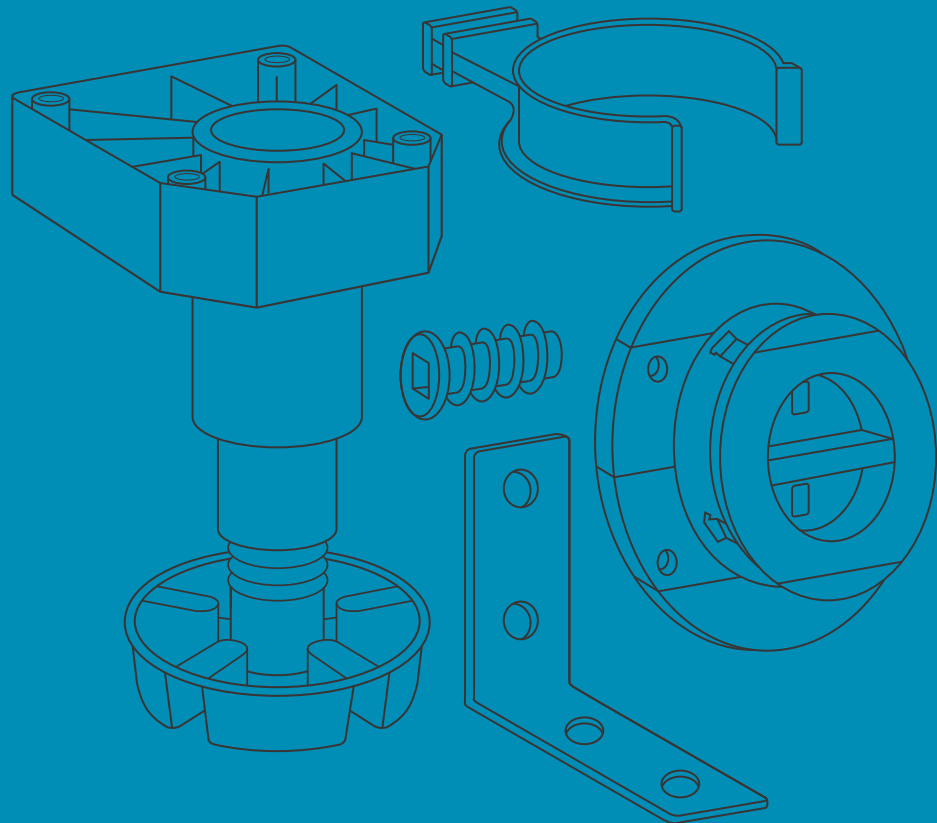
Item Code	Cabinet Width	Dimensions	Capacity
GBINL45.50TILT	450mm	385W x 320D x 505H (Base 295W x 265D)	50 Litres



5

CABINET COMPONENTS

ENKO CABINET LEGS	142	DOOR BUFFERS	150	CONNECTORS & BRACKETS	158
ALUMINIUM LEGS	146	BLANKING PLUGS	150	OTHER	162
MADE TO MEASURE LEGS	147	SHELF STUDS	151		
PLINTH PANEL & JOINTERS	148	CAPS, COLLARS & PORTS	152		
		SCREWS	156		



ADJUSTABLE CABINET LEGS

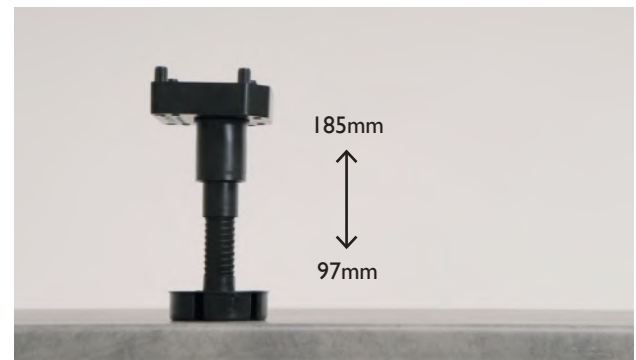
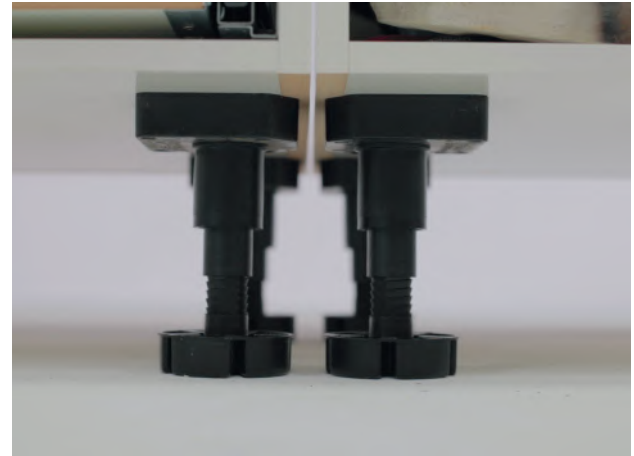
ENKO CABINET LEGS

Made here in New Zealand. Designed by Cabinetmakers, for Cabinetmakers. Great for projects with varying toe kick heights or with out-of-level floors. One foot covers most situations.



FEATURES

- Designed & Manufactured in New Zealand
- Robust & strong
- Knock-in (10mm dowel) or screw-on base
- Supplied as leg plus base
- Legs available in 150 per box
- Extenders available in 50 per box
- Components are also available separately
- Plinth clips are compatible with Enko's PVC Plinth Panel (toekick)





PREMIUM SERIES:		
Item	Item Code	Adjustment Specifications
Screw-On Base & Leg	ASFA1010	97-185mm (Preset at 150mm)
Knock-In Base & Leg	ASFA1011	97-185mm (Preset at 150mm)
Extension Block	ASFAEXT	Allows extension to 220mm
Screw-On Base & Leg	ASFA3010	90-165mm
Knock-In Base & Leg	ASFA3011	90-165mm
Plinth Panel Support Clip	ASFA1110	N/A
PVC Plinth Panel Clip	PBCLIP-L	N/A

STANDARD SERIES:		
Item	Item Code	Adjustment Specifications
Screw-On Base & Leg	ASFA2210	120-170mm (Preset at 150mm)
Knock-In Base & Leg	ASFA2211	120-170mm (Preset at 150mm)
Plinth Panel Support Clip	ASFA2220	N/A
PVC Plinth Panel Clip	PBCLIP-S	N/A

ADJUSTABLE CABINET LEGS

CABINET LEG UNDER-FOOT PLUG

Great for those situations where getting your cabinet leg up off the flooring is critical, allows leg to be dropped into a floating or tiled floor instead of sitting on the floor or tiles.



FEATURES

- Designed and manufactured in New Zealand
- Base Diameter 40mm, recommended hole size 50-60mm
- Height 15mm - taller than most flooring
- 100 per box

Item Code

ASFAPLUG



ADJUSTABLE CABINET LEGS

CABINET LEG ADJUSTING TOOL

FEATURES

- Designed & Manufactured in New Zealand
- Robust & Strong
- Tool to help adjust the hard to reach cabinet legs



Item Code

ASFA.LEGTOOL



ALUMINIUM LEGS

ALUMINIUM LEGS

FEATURES

- 38 x 38mm
- Anodised Aluminium
- Supplied able to be cut down

STANDARD SERIES:

Item Code	Length	Adjustment
A2LEG	Adjustable 140-160mm	Floor End
A3LEG300	Adjustable 290 -310mm	Under-Bench End

STAINLESS STEEL LEGS



FEATURES

- All legs are manufactured to order - allow around two weeks for delivery
- New Zealand Made

E1 STAINLESS STEEL ADJUSTABLE BREAKFAST BAR LEG

	Item Code	Diameter	Height
<ul style="list-style-type: none"> • Adjustable Top • Stainless Steel Tubing - 304 Grade • 63mm Diameter 	E1LEG63.500	63mm	100-500mm
	E1LEG63.800	63mm	501-800mm
	E1LEG63.1100	63mm	801-1100mm



Length: Specify the minimum overall length from the underside of your bench to floor.
Legs will be manufactured with 10-15mm adjustment up from your "wound hard down" measurement.

E2 STAINLESS STEEL BREAKFAST BAR LEG

	Item Code	Diameter	Height
<ul style="list-style-type: none"> • No adjustment • Stainless Steel - 304 Grade • 75mm x 75mm 	E2LEG	75mm	700-1100mm



Length: Made to measure - specify required length

E4 STAINLESS STEEL ADJUSTABLE BREAKFAST BAR LEG

	Item Code	Diameter	Height
<ul style="list-style-type: none"> • Adjustable • Stainless Steel Tubing - 304 Grade • 50 x 50mm Square 	E4LEG500	50mm Square	100-500mm
	E4LEG800	50mm Square	501-800mm
	E4LEG1100	50mm Square	801-1100mm



Length: Specify the minimum overall length from the underside of your bench to floor.
Legs will be manufactured with 10-15mm adjustment up from your "wound hard down" measurement.

F1 UPSTAND STAINLESS STEEL LEG

	Item Code	Diameter	Height
<ul style="list-style-type: none"> • No adjustment • Stainless Steel • 50mm or 63mm Diameter 	FIUPSTAND50.200	50mm	200mm
	FIUPSTAND63.200	63mm	200mm



Length: Made to measure - specify required length

PLINTH PANEL & JOINTERS



MADE IN ITALY

PLINTH PANEL

Traditional toe kicks have been costly and time consuming to manufacture and install.

Volpato's coated PVC toe kicks are easy and inexpensive to prepare and install and allow an added dimension in creating special effects in your kitchen design.

Mirror toe kick can make an island bench appear to "float" above the floor.

Brushed Aluminium, Brushed Stainless and Matt Black finished toe kick can be used to match appliances or other accessories.

Paintable Plinth provides total freedom in matching or contrasting other colours used in the kitchen.

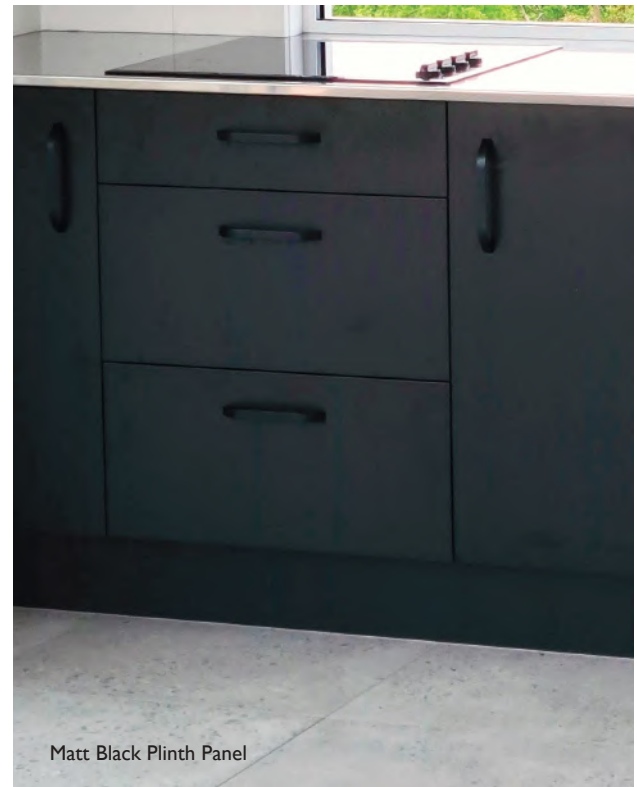
PLINTH PANEL/TOE KICK CODES				
Finish	100mm High	120mm High	150mm High	220mm High
Brushed Aluminium		PB12BA	PB15BA	
Brushed Stainless Steel	PB10BSS	PB12BSS	PB15BSS	PB22BSS
Mirror			PB15MR	PB22MR
Matt Black			PB15MBK	
Paintable	PB10P	PB12P	PB15P	
Number of Lengths per pack	15	15	12	8

FEATURES

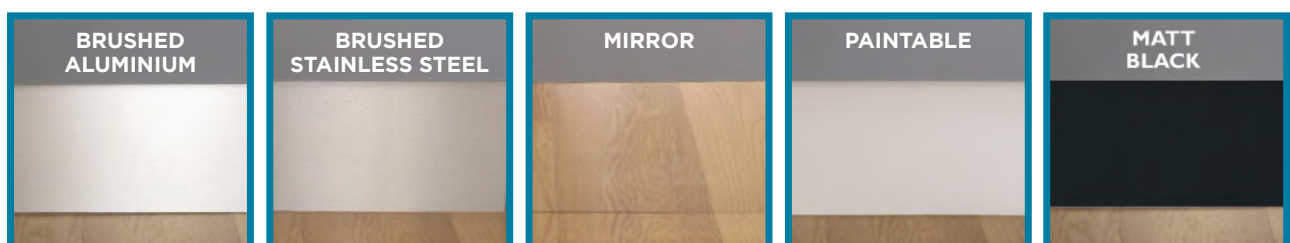
- Lightweight - easy installation
- 13mm thick
- Designed & manufactured in Italy
- Moisture-proof with integral co-extruded gasket
- Available in 5 finishes and 4 heights
- Supplied in 4m lengths to reduce wastage
- Can be scribed and trimmed
- Innovative jointing options
- Can be used with Enko cabinet legs and plinth clips
See page 143



Brushed Stainless Steel Plinth Panel



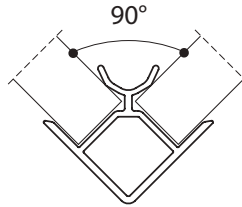
Matt Black Plinth Panel



JOINING OPTIONS

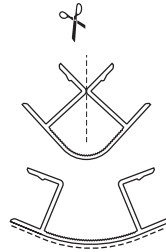
SQUARE CORNER CODES

Finish	100mm High	120mm High	150mm High	220mm High
Brushed Aluminium		PBJ9012BA	PBJ9015BA	
Brushed Stainless Steel	PBJ9010BSS	PBJ9012BSS	PBJ9015BSS	PBJ9022BSS
Mirror			PBJ9015MR	PBJ9022MR
Matt Black			PBJ9015MBK	
Paintable			PBJ9015P	



CURVED CORNER CODES

Finish	100mm High	120mm High	150mm High	220mm High
Brushed Aluminium	PBJ90C10BA	PBJ90C12BA	PBJ90C15BA	
Brushed Stainless Steel	PBJ90C10BSS	PBJ90C12BSS	PBJ90C15BSS	PBJ90C22BSS
Mirror			PBJ90C15MR	PBJ90C22MR
Paintable	PBJ90C10P	PBJ90C12P	PBJ90C15P	



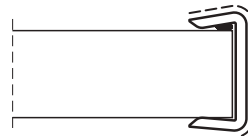
H JOINTS CODES

Finish	100mm High	120mm High	150mm High	220mm High
Brushed Aluminium		PBJH12BA	PBJH15BA	
Brushed Stainless Steel	PBJH10BSS	PBJH12BSS	PBJH15BSS	PBJH22BSS
Mirror			PBJH15MR	PBJH22MR
Paintable	PBJH10P	PBJH12P	PBJH15P	



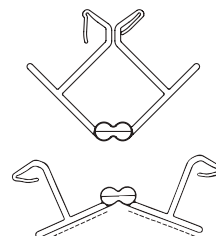
END CAP CODES

Finish	100mm High	120mm High	150mm High	220mm High
Brushed Aluminium		PBJEND12BA	PBJEND15BA	
Brushed Stainless Steel	PBJEND10BSS	PBJEND12BSS	PBJEND15BSS	PBJEND22BSS
Mirror			PBJEND15MR	PBJEND22MR



MULTI CORNER CODES

Finish	100mm High	120mm High	150mm High	220mm High
Brushed Aluminium		PBJMC12BA	PBJMC15BA	
Brushed Stainless Steel	PBJMC10BSS	PBJMC12BSS	PBJMC15BSS	PBJMC22BSS
Mirror				
Matt Black			PBJMC15MBK	
Paintable	PBJMC10P	PBJMC12P	PBJMC15P	



DOOR BUFFERS & BLANKING PLUGS

DOOR BUFFERS

PUSH-IN DOOR BUFFERS



PUSH-IN DOOR BUFFERS

	Item Code	Colour	Quantity
• Fits 5mm Hole • Head is 9.5mm diameter, 2mm thick	DB050	Clear	Pack of 1000
	DB05	White	Pack of 1000

STICK-ON DOOR BUFFERS



STICK-ON DOOR BUFFERS

	Item Code	Colour	Quantity
• 8.5mm Diameter Hole • 1.7mm Thick	DBS050	Clear	Packs of 100

BLANKING PLUGS



BLANKING PLUGS

	Item Code	Colour	Quantity
• Cover drilled holes to provide finished appearance • 8.5mm Diameter • 1.7mm thick	BP05	White	Packs of 1000



SHELF STUDS

PLASTIC SHELF STUDS

PLASTIC SHELF STUDS				
	Item Code	Colour	Style	Quantity
<ul style="list-style-type: none"> Female fits 8mm hole and works with 5mm male or plastic studs or metal pins 	SS2PSF85B	Black	Female	Packs of 1000
	SS2PSF85W	White	Female	Packs of 1000
	SS2PSM5	White	Male	Packs of 1000



SS2PSF85B



SS2PSF85W



SS2PSM5

STEEL PIN PLASTIC SHELF STUDS

STEEL PIN PLASTIC SHELF STUDS				
Item Code	Colour	Style	Quantity	
SST05	Transparent	Male	Packs of 1000	
SSW05	White	Male	Packs of 1000	
<ul style="list-style-type: none"> Fits 5mm hole, also works with 8mm female plastic stud fitting 				

SST05 & SSW05

STEEL SHELF STUDS

STEEL SHELF STUDS				
	Item Code	Colour	Style	Quantity
<ul style="list-style-type: none"> Fits 5mm hole, also works with 8mm female plastic stud fitting 	SSAH05	Bracket	Male	Packs of 1000
	SS05	Pin	Male	Packs of 1000
	SSP05	Spade	Male	Packs of 1000



SSAH05



SS05



SSP05

CAPS, COLLARS & PORTS

FIXOL DISHWASHER PIPE TIDY NEW



The perfect finishing touch that is specially made for the tubes of the dishwasher.

FEATURES

- Simple to fit around installed plumbing
- 130mm Diameter
- The recommended drilling size is 90mm but can be from 88mm-102mm
- European designed & manufactured
- 2 x 26mm Holes & 1 x 8mm Hole



Item Code	Colour	Size
FXL-DPTG	Grey	To Suit 90mm
FXL-DPTW	White	To Suit 90mm



FXL-DPTW



FXL-DPTG



CAPS, COLLARS & PORTS

NEW FIXOL FINISHING COLLAR/LID NEW



The perfect finishing touch to cover the cut outs of wall sockets, drain pipes, wall taps, electrical cables etc.

FEATURES

- Simple to fit around installed plumbing
- 130mm Diameter
- The recommended drilling size is 90mm but can be from 88mm-102mm
- European designed & manufactured
- Finishing collars can be fitted in batches (side by side) & drilling centres for this is 71mm
- Fixol lid is designed for cable management, allowing tidy and practical access to lighting power systems and cables



Finishing Collar

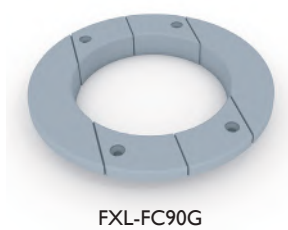


Finishing Collar Lid

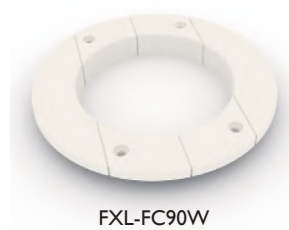
Item	Item Code	Colour	Size
Finishing Collar	FXL-FC90B	Black	To Suit 90mm
	FXL-FC90G	Grey	To Suit 90mm
	FXL-FC90W	White	To Suit 90mm
Lid for Finishing Collar	FXL-LFC90B	Black	For 90mm Finishing Collar
	FXL-LFC90G	Grey	For 90mm Finishing Collar
	FXL-LFC90W	White	For 90mm Finishing Collar



FXL-FC90B



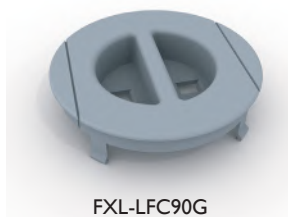
FXL-FC90G



FXL-FC90W



FXL-LFC90B



FXL-LFC90G



FXL-LFC90W



CAPS, COLLARS & PORTS

CABLE ENTRY PORT



FEATURES

- Six colour options
- Two size options, 60mm & 80mm Diameter
- 25mm Thick
- Smooth design for desktop mounting

Item Code	Colour	Size	Unit
CEP.60.BK	Black	60mm	Each
CEP.60.BR	Brown	60mm	Each
CEP.60.CH	Charcoal	60mm	Each
CEP.60.G	Grey	60mm	Each
CEP.60.LB	Lam Beige	60mm	Each
CP.60.W	White	60mm	Each
CEP.80.BK	Black	80mm	Each
CEP.80.BR	Brown	80mm	Each
CEP.80.CH	Charcoal	80mm	Each
CEP.80.G	Grey	80mm	Each
CEP.80.LB	Lam Beige	80mm	Each
CP.80.W	White	80mm	Each



Black



Charcoal



Lam Beige



Brown



Grey



White

CAPS, COLLARS & PORTS

SCREW COVER CAPS



SQUARE DRIVE SCREW COVER CAPS

Item Code	Dimensions	Colour	Quantity
SDCW	12.5mm	White	Packs of 5000

STICK-ON SCREW CAPS

FEATURES

- Very sticky
- Supplied on cards
- Best on the market

STICK-ON SCREW CAPS

Item Code	Dimensions	Colour	Quantity
SOS14G	14mm	Grey	Packs of 2500
SOS14W	14mm	White	Packs of 2500
SOS25W	25mm	White	Packs of 900



Grey Caps



White Caps

SCREWS

SCREWS

PAN HEAD WOOD SCREWS

FEATURES

- Bright Zinc Plated
- #2 Square Drive

Item Code	Dimensions	Quantity
WSMSQ2003	M8 x 5/8 16mm	Packs of 1,000
WSMSQ2003B	M8 x 5/8 16mm	Packs of 12,000



WOOD SCREWS

FEATURES

- Countersunk
- Fast thread
- Zinc chromate
- #2 Square Drive
- Patented thread system requires less torque to drive in screws, reduces board bulging and has great holding strength

Item Code	Dimensions	Quantity
WSBSQ2003	M8 x 3/4 19mm	Packs of 1,000
WSBSQ2003B	M8 x 3/4 19mm	Packs of 16,000
WSBSQ2004	M8 x 1 25mm	Packs of 1,000
WSBSQ2004B	M8 x 1 25mm	Packs of 12,000
WSBSQ2005	M8 x 1 1/8 28mm	Packs of 1,000
WSBSQ2005B	M8 x 1 1/8 28mm	Packs of 9,000
WSBSQ2006	M8 x 1 1/4 31mm	Packs of 1,000
WSBSQ2006B	M8 x 1 1/4 31mm	Packs of 8,000
WSBSQ2007	M8 x 1 1/2 38mm	Packs of 1,000
WSBSQ2007B	M8 x 1 1/2 38mm	Packs of 6,500
WSBSQ2008	M8 x 1 3/4 45mm	Packs of 1,000
WSBSQ2008B	M8 x 1 3/4 45mm	Packs of 5,000
WSBSQ2009	M8 x 2 50mm	Packs of 1,000
WSBSQ2009B	M8 x 2 50mm	Packs of 4,000
WSBSQ2010	M8 x 2 1/2 65mm	Packs of 2,500
WSBSQ2011	M8 x 3 5mm	Packs of 500
WSBSQ2011B	M8 x 3 75mm	Packs of 2,000



SCREWS

EURO SCREWS

FEATURES

- Bright Zinc Plated
- #2 Square Drive

Item Code	Dimensions	Quantity
WSMSQ2001	M6 x 10.5mm	Packs of 1,000
WSMSQ2001B	M6 x 10.5mm	Packs of 20,000
WSMSQ2002	M6 x 13mm	Packs of 1,000
WSMSQ2002B	M6 x 13mm	Packs of 12,000



HANDLE FIXING SCREWS

FEATURES

- Dome Head
- Bright Zinc Plated
- Phillips Drive

Item Code	Dimensions	Quantity
M4x16mm (100pk)	M4 x 16mm	Packs of 100
M4x16mm (1000pk)	M4 x 16mm	Packs of 1000
M4x20mm (100pk)	M4 x 20mm	Packs of 100
M4x20mm (1000pk)	M4 x 20mm	Packs of 1000
M4x22mm (100pk)	M4 x 22mm	Packs of 100
M4x22mm (1000pk)	M4 x 22mm	Packs of 1000
M4x25mm (100pk)	M4 x 25mm	Packs of 100
M4x25mm (1000pk)	M4 x 25mm	Packs of 1000
M4x50mm Snap Off (100pk)	M4 x 50mm	Packs of 100
M4x50mm Snap Off (1000pk)	M4 x 50mm	Packs of 1000



HINGE FIX SCREWS

FEATURES

- Countersunk
- Bright Chromate
- #2 Square Drive




Item Code	Dimensions	Quantity
WSASQ2002	M6 x 5/8 16mm	Packs of 1,000
WSASQ2002B	M6 x 5/8 16mm	Packs of 20,000



CONNECTORS & BRACKETS

STEEL ANGLE BRACKETS

STEEL ANGLE BRACKETS - FLAT CORNER			
	Item Code	Dimensions	Quantity
<ul style="list-style-type: none"> • Zinc Plated • Flat Bracket 	BR50F	50 x 50 x 2mm	Packs of 4
			

STEEL ANGLE BRACKETS - 90 DEGREES					
	Item Code	Dimensions	Quantity		
<ul style="list-style-type: none"> • Zinc Plated • Square Bracket 	BR17	17 x 17 x 2mm	Packs of 100 or 1,000		
					
	BR30	30 x 30 x 2mm	Packs of 100 or 1,000		
					
			BR50	50 x 50 x 2mm	Packs of 4

CONNECTORS & BRACKETS

WOODEN JOINTING BISCUITS

FEATURES

- High quality beech material
- Compressed

Item Code	Size	Dimensions	Quantity
BMJB10	10	3 x 20 x 55mm	Packs of 1000
BMJB20	20	3 x 25 x 60mm	Packs of 1000



WOODEN JOINTING DOWELS

FEATURES

- High quality beech material
- Pregrooved & cut to length
- Supplied in 5kg sacks

Item Code	Dimensions	Quantity (Approx)
BMD830	8 x 30mm	Packs of 5000
BMD835	8 x 35mm	Packs of 4250
BMD840	8 x 40mm	Packs of 3750
BMD1050	10 x 50mm	Packs of 1700



See Striplox Griplex Biscuits
on page 160

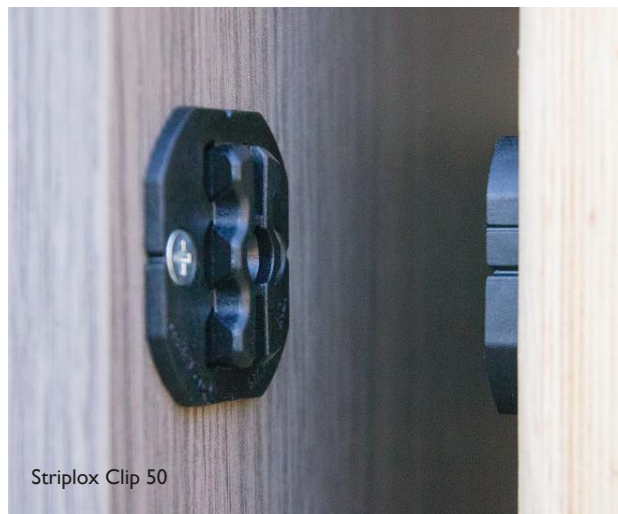


STRIPLOX

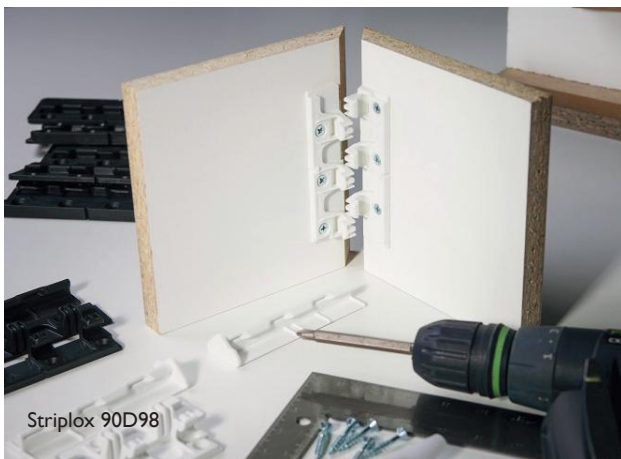
WHAT IS STRIPLOX?

Striplox is a range of jointing and hanging products for use anywhere you want to join things together or hang things on the wall or ceiling.

- You can use Striplox in solid timber, MDF, composite panels, aluminium, balsa and many other substrates.
- Striplox is easy to install and can be customised to many different applications.
- Striplox is made from environmentally friendly, durable, heat stabilised glass reinforced nylon providing rigidity and strength.
- Striplox connectors can replace screws, brackets, connectors, latches, cams, dowels, mounting blocks.
- Striplox connectors can be surface mounts or rebated, vertical or horizontal, depending on your requirement.



Striplox Clip 50



Striplox 90D98



Striplox Mini 120



Striplox Pro 55



Striplox Pro 23

PREMIUM SERIES:					
Item Code	Item	Colour	Load Capacity		Use
SLPRO23	Striplox Pro 23	Black	95-160kg		Hidden mounting system for cabinets, floating shelves bookcases, panels, artworks, mirrors, feature panels and many other applications
SLPRO55	Striplox Pro 55	Black	106-200kg		Same system as Pro 23, but larger with greater load capacity
SLCLIP50	Striplox Clip 50	Black	95-125kg		For smaller and more precise mounting
SLMINI60	Striplox Mini 60	Black	80-100kg		Invisible slide-to-lock jointer where you could normally use biscuits, cams or dowels. Mini 60 creates a neat tight joint in substrates 12mm thick and upwards
SLMINI120	Striplox Mini 120	Black	119-200kg		Same system as Mini 60, but larger to accommodate longer joints
SL90D98B	Striplox 90D98	Black	66-200kg		Right angle internal corner jointer. For mitre, butt, T, square, frame and flush joints
SL90D98W	Striplox 90D98	White	66-200kg		Right angle internal corner jointer. For mitre, butt, T, square, frame and flush joints
SL180DBK	Striplox 180D	Black	200-230kg		For joining larger panels such as benches, counter tops, desk returns etc. For substrates 12mm thick and upwards. The 180 degree is excellent for big jobs, spreading the load capacity evenly across your joint
SLMEGA241BK	Striplox Megalox	Black	150-295kg		This fully concealed, lockable solution is ideal for benches, countertops etc. Connect the two surfaces by inserting and sliding together into the locked position, requiring no use of clamps.
SLGRIP20BK	Striplox Griplox No 20 Biscuit	Black	N/A		Dimensions: L56mm, W4.25mm, H23mm. Replaces wooden biscuits which can swell in humid weather and cause substrate blowout. Barbs hold the biscuit in place and no glue is required
SLPRO23JIG	Striplox Pro 23 Jig	Red	N/A		Aids installation to save time during the fitment.
SLPRO55JIG	Striplox Pro 55 Jig	Red	N/A		Easily identifiable in red with hardened steel centre points in both components to mark all common substrates allowing for fast and efficient mounting of the Pro 23, Pro 55 and Clip 50
SLCLIP50JIG	Striplox Clip 50 Jig	Red	N/A		
SLROUTER	Striplox Cutters & Routers	N/A	N/A		Produces an accurate and reliable slot for the Mini range of assembly products. - Cut Diameter = 7mm - Shank Diameter = 1/4" - Height = 20mm Tungsten carbide cutting head
SLTEMPLATE	Striplox Mark Out Template	Clear	N/A		Speeds up the manufacturing processes by enabling the easy fitment of the Striplox range of joining solutions, featuring centre points, markings, slot guides etc.
SLGLUE	Striplox Liquidlox	Colourless Transparent	N/A		General purpose, middle viscosity, high strength fast cure adhesive which is compatible with all Striplox assembly products and a wide range of substrates. Ethyl cyanoacrylate adhesive, 50 - 80° C service temperature range, 15 second quick cure

OTHER

OTHER

WOODEN WEDGES

FEATURES

- Manufactured from natural wood
- Slim Design, each wedge is approx 150mm long, 130mm wide and sloped from 13mm high to 2mm low
- Assists with accurate spacing

Item Code	Colour	Quantity
TAW200	Wood	Packs of 200



STOCKINETTE/MUTTON CLOTH

FEATURES

- 100% cotton
- Fine grade ring-spun fibre
- Primarily used for cleaning and polishing purposes
- Cost effective

Item Code	Colour	Width	Diameter	Quantity
TAS25	Natural	300mm	200mm	2.5kg Roll



T-SHIRTING RAGS

FEATURES

- Industrial pre-washed tee shirting cotton
- 99% free of zips, embroidery and buttons
- Lint free
- Some loose thread at cut ends

Item Code	Colour	Quantity
TAR10	Assorted	10kg
TAR10W	White	10kg

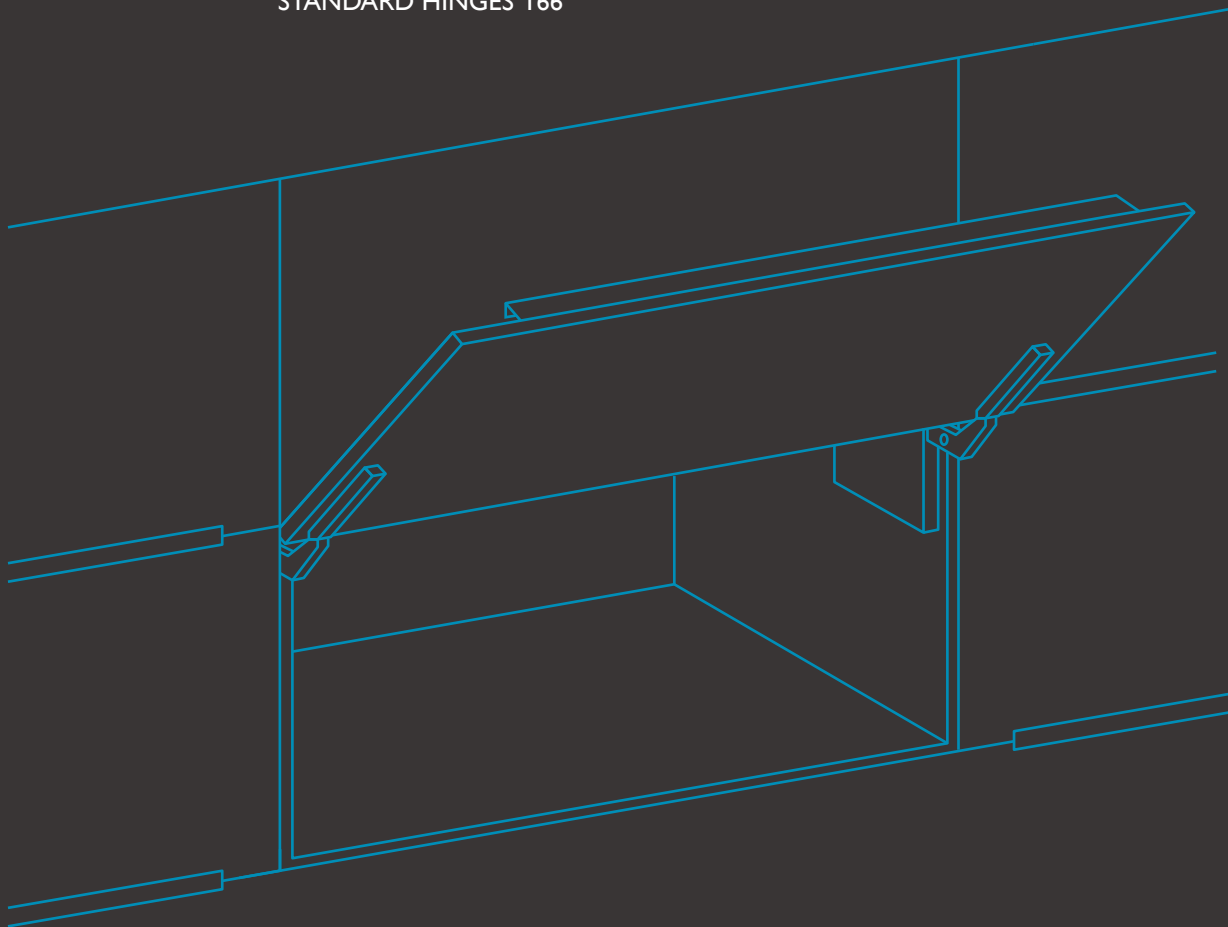


6

HINGES & DOOR CONTROL

SOFT CLOSE HINGES 164 DOOR CONTROL 168

STANDARD HINGES 166



SOFT CLOSE HINGES

SOFT CLOSE HINGES

110° HINGE FULL OVERLAY

FEATURES

- 45° to 110° Angle
- Drilling Pattern 52/10
- 110° Opening Angle
- Depth of hinge cap 11.5mm
- Diameter of hinge cap 35mm
- Door thickness range 16-26mm
- Drilling distance on the door 3-6mm
- +2mm/-4mm side adjustment
- +2mm/-4mm side adjustment
- +2mm/-2mm cam adjustment up and down
- 26mm thick doors with standard hinge
- Easily fine tuned soft close adjustment for small doors
- Highly slam resistant



Item Code	Item	Style	Unit
C98A477M-SCQT	110° Full Overlay	Q-Turn	Each

110° STAINLESS STEEL SHALLOW CUP HINGE

FEATURES

- 35mm Diameter hole with a 10mm shallow cup depth
- Clip-on, full overlay with cam adjustment on hinge arm
- 304 grade Stainless Steel hinge & mounting plate
- 45mm drilling centres + Knock In 8mm dowel
- Includes 15.5mm 304 grade Stainless Steel mounting plate screws



Item Code	Item	Style	Unit
C450027	110° Full Overlay Shallow Cup	Knock In with Mount	Each

SOFT CLOSE HINGES

CORNER HINGE 45° CORNER DOOR

FEATURES

- 45° to 110°
- 110° opening angle
- Drilling Pattern 52/10
- V Door Overlay
- Depth of hinge cap 11.5mm
- Diameter of hinge cap 35mm
- Door thickness range 16-26mm
- Drilling distance on the door 3-6mm



Item Code	Item	Style	Unit
C93E427M-SC	45° Corner Door	Dowel	Each

CORNER HINGE 90° BLIND CORNER

FEATURES

- 90° angle
- 110° opening angle
- Drilling Pattern 52/10
- Depth of hinge cap 11.5mm
- Diameter of hinge cap 35mm
- Door thickness range 16-26mm
- Drilling distance on the door 3-6mm



Item Code	Item	Style	Unit
C93G427M-SC	90° Blind Corner	Dowel	Each

SCREW FIX MOUNTING PLATES

FEATURES

- Cam adjustable plates adjust height to +2/-2mm
- Euro Screw fix fixing
- 3 different size plates available

Item Code	Item
H04AQ	0mm
H24AQ	2mm
H44AQ	4mm



STANDARD HINGES

STANDARD HINGES

110° HINGE

FEATURES

- 45° to 110° Angle
- Drilling Pattern 52/10
- 110° Opening Angle
- Depth of hinge cap 11.5mm
- Diameter of hinge cap 35mm
- Door thickness range 16-26mm
- Drilling distance on the door 3-6mm
- Shallow cup depth
- +2mm/-4mm side adjustment
- +2mm/-2mm cam adjustment up and down
- 26mm thick doors with standard hinge

Item Code	Item	Style	Unit
C98A477M	110° Full Overlay	Dowels	Each
C98B477M	110° Half Overlay	Dowels	Each
C98C477	110° Inset	Dowels	Each

110° Full Overlay



110° Half Overlay



110° Inset



165° HINGE

FEATURES

- 160° Opening Angle
- Drilling Pattern 52/10
- Depth of hinge cap 11.8mm
- Diameter of hinge cap 35mm
- Door thickness range 16-28mm
- Drilling distance on the door 3-6mm

Item Code	Item	Style	Unit
C93A507M	165° Full Overlay	Dowels	Each



STANDARD HINGES

CORNER HINGE 45° CORNER DOOR

FEATURES

- 45° to 110°
- 110° opening angle
- Drilling Pattern 52/10
- V Door Overlay
- Depth of hinge cap 11.5mm
- Diameter of hinge cap 35mm
- Door thickness range 16-26mm
- Drilling distance on the door 3-6mm



Item Code	Item	Style	Unit
C93E427	45° Corner Door	No Dowel	Each

CORNER HINGE 90° BLIND CORNER

FEATURES

- 90° angle
- 110° opening angle
- Drilling Pattern 52/10
- Depth of hinge cap 11.5mm
- Diameter of hinge cap 35mm
- Door thickness range 16-26mm
- Drilling distance on the door 3-6mm



Item Code	Item	Style	Unit
C93G427M	90° Blind Corner	Dowel	Each

SCREW FIX MOUNTING PLATES

FEATURES

- Cam adjustable plates adjust height to +2/-2mm
- Euro Screw fix fixing
- 3 different size plates available

Item Code	Item
H04AQ	0mm
H24AQ	2mm
H44AQ	4mm



DOOR CONTROL

PUSH LATCHES

Item Code	Type	Push Length	Colour	
SCS-MPLCP	Cross Plate	39.7mm	Grey	<p>M=Push Length</p>
SCS-MPLDI	10mm Drill In	38mm	Grey	<p>M=Push Length</p>
SCS-MPLIP	Inline Plate	39.7mm	Grey	<p>M=Push Length</p>

DOOR CONTROL

SOFT CLOSE TOP STAYS NEW

FEATURES

- Small profile (SQ Dimensions - 165mm Square, 30mm D, SF Dimensions - 150mm H, 218mmL x 30mm D)
- Opening angle 107° (reducers available)
- Easy open, stays at any desired position
- Silent & smooth closing with adjustable closing speed
- Adjustable opening & hovering force
- No other hinges needed
- 3 way door adjustment of +2mm/-2mm
- White as standard - grey/dark grey cover caps available
- Simple templated instructions
- Cabinet width up to 1200mm for SQ & 1800mm for SF
- 16-28mm thick doors for both SQ & SF



Item Code	Item	Power Factor LF*	Load	Height	Colour	Quantity
TSTAYSQFLW	SQ Top Stay - Light Power	580-1250	2.4-4.2kg	300-500mm	White	Pair
TSTAYSQFMW	SQ Top Stay - Medium Power	960-2040	4-6.8kg	300-500mm	White	Pair
TSTAYSQFSW	SQ Top Stay - Strong Power	1800-3500	7-11.6kg	300-500mm	White	Pair
TSTAYSSFPXSW	SF Top Stay - X-Strong Power	3200-9000	12-22kg	400-700mm	White	Pair
TSTAYCCSQGDG	SQ Top Stay Cover Cap	N/A	N/A	N/A	Grey/Dark Grey	Pair
TSTAYCCSFGDG	SF Top Stay Cover Cap	N/A	N/A	N/A	Grey/Dark Grey	Pair
TSTAYR075	Top Stay 75° Reducer	N/A	N/A	N/A	Dark Grey	Pair
TSTAYR100	Top Stay 100° Reducer	N/A	N/A	N/A	Dark Grey	Pair

* Power Factor = Cabinet height (mm) x Door weight including double handle weight (kg)



SQ Top Stay - Light, Medium & Strong Power

SF Top Stay - X-Strong Power

Top Stay 75° Reducer

Top Stay 100° Reducer

DOOR CONTROL

GAS FLAP DOOR STAY

FEATURES

- 100 Newtons Strength
- Note: Do not apply petroleum based lubricants
- Instalment:
 - Door Fixed Location: 55mm
 - Side Panel Fixed Location: 260 +2mm/-2mm
 - Cabinet Depth Location: 28mm

W \ H	450	600	900	1200
400	50N*2	50N*2	80N*2	100N*2
500	50N*2	100N*2	100N*2	150N*2
600	80N*2	100N*2	150N*2	N/A

Recommended Door Width & Height
W: Door Width H: Door Height(mm)



Item Code	Strength	Length	Quantity
GA100	100 Newtons	312mm	Each

EZI FOLD DOOR CONTROL ARMS

FEATURES

- New Zealand Made
- Simple system for bi-fold doors
- White Plastic
- Average install time of 5 minutes
- EZI330 commonly for deeper units (base cabinets etc)
- EZI530 commonly for larger opening (pantries, closets etc)

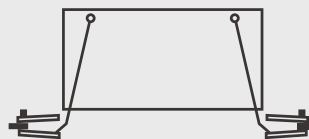


Item Code	Length	Quantity
EZI330	362mm	Each
EZI530	562mm	Each

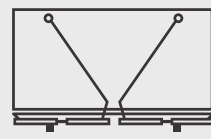


Ezi Fold Door Examples:

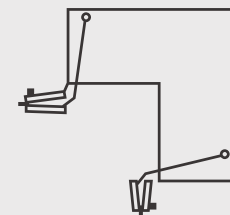
DOORS OPEN



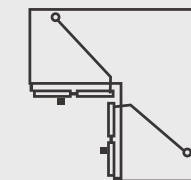
DOORS CLOSED



DOORS OPEN



DOORS CLOSED

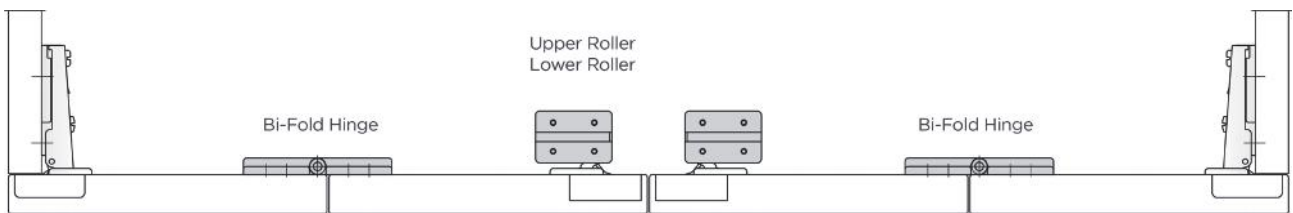


DOOR CONTROL

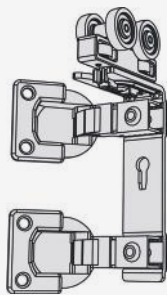
INDAUX ELITE BI-FOLD SYSTEM

Item Code	Item	Finish	Quantity
NV-BIFUpper	Upper Track	Anodised Aluminium	3m Length
NV-BIFLower	Lower Track	Anodised Aluminium	2m Length
NV-BIFRoller	Top Roller	N/A	Each
NV-BIFRoller	Lower Roller	N/A	Each
NV-BIFHinge	Nylon Hinge	N/A	Each

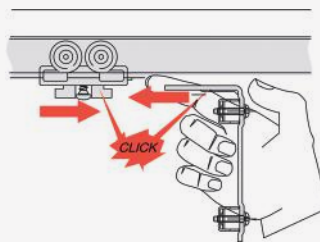
- Note the Indaux Folding Door System has a 25kg weight rating
- Note place sliding door intermediate hinges over the swing door hinges



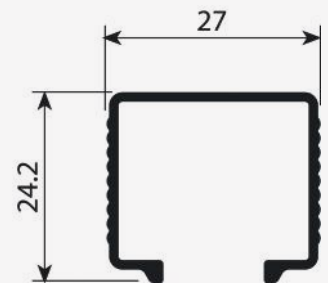
UPPER TRACK & ROLLER



Bi-fold Upper Roller

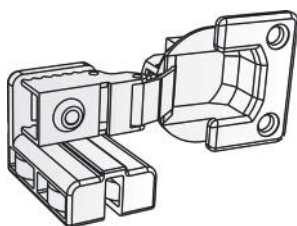


Bi-fold Upper Roller and Track Diagram

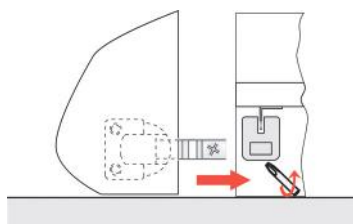


Bi-fold Upper Track Dimensions

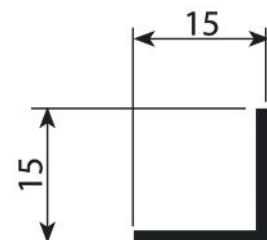
LOWER TRACK & ROLLER



Bi-fold Lower Roller

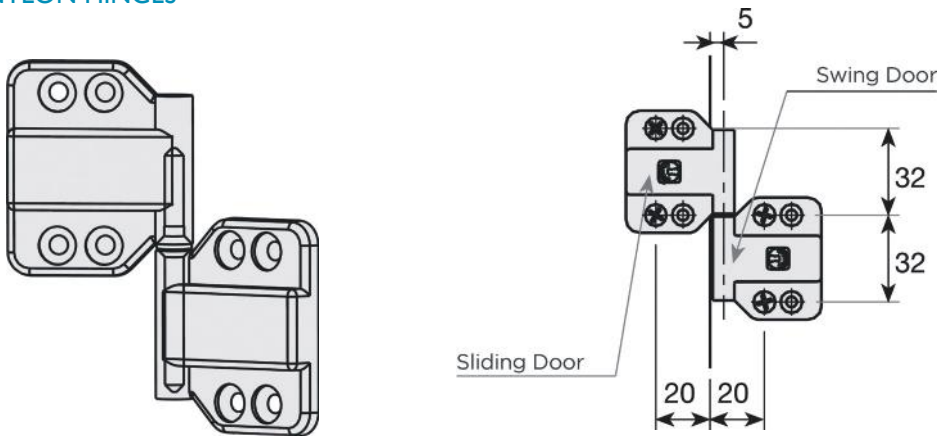


Bi-fold Lower Roller and Track Diagram

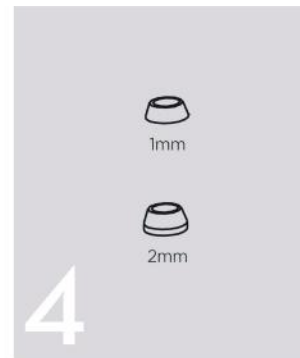
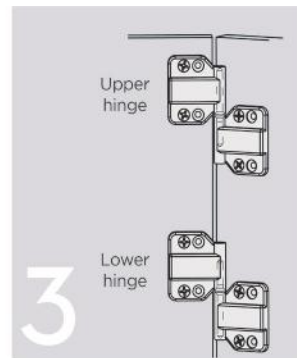
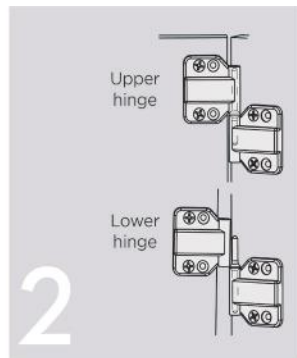
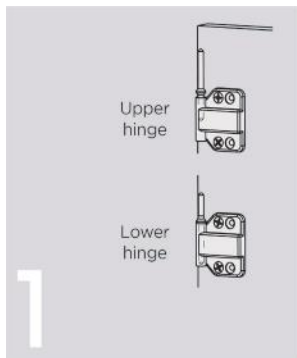
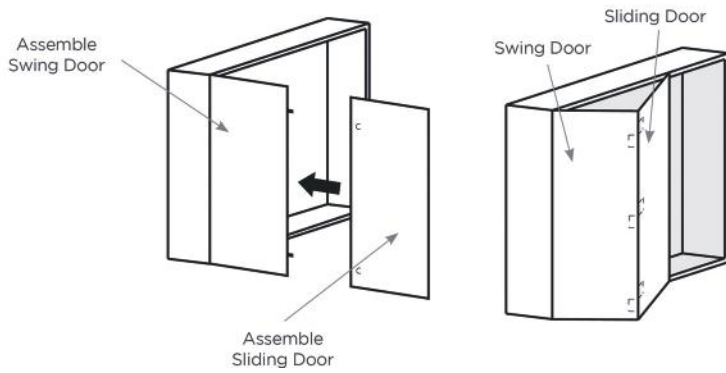


Bi-fold Lower Track Dimensions

NYLON HINGES



NYLON HINGE ASSEMBLY



Place shafts:

Insert the shortest side of the shaft in the upper hinge. Insert the longest side of the shaft in the lower hinge.

Place sliding door:

Only the upper hinge must be inserted in the shaft.

Assemble the door:

Lift the door and align upper and lower hinges onto their shafts. When the door falls, it automatically fits into place.

Adjustments:

Please use washers provided.

Note - Elite top roller must be fitted to the upper track prior to fixing upper track to the carcass.



DOOR CONTROL

INDAUX JUNIOR-6 SLIDING DOOR SYSTEM

FEATURES

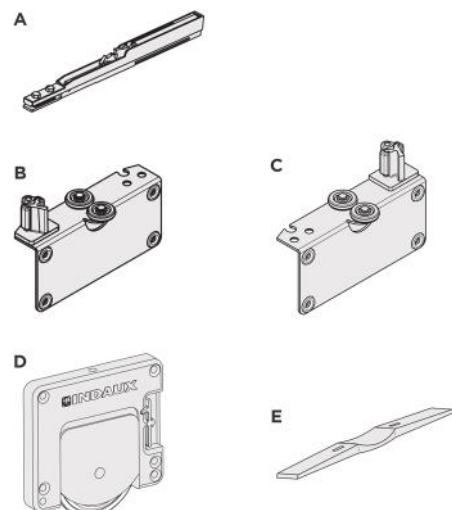
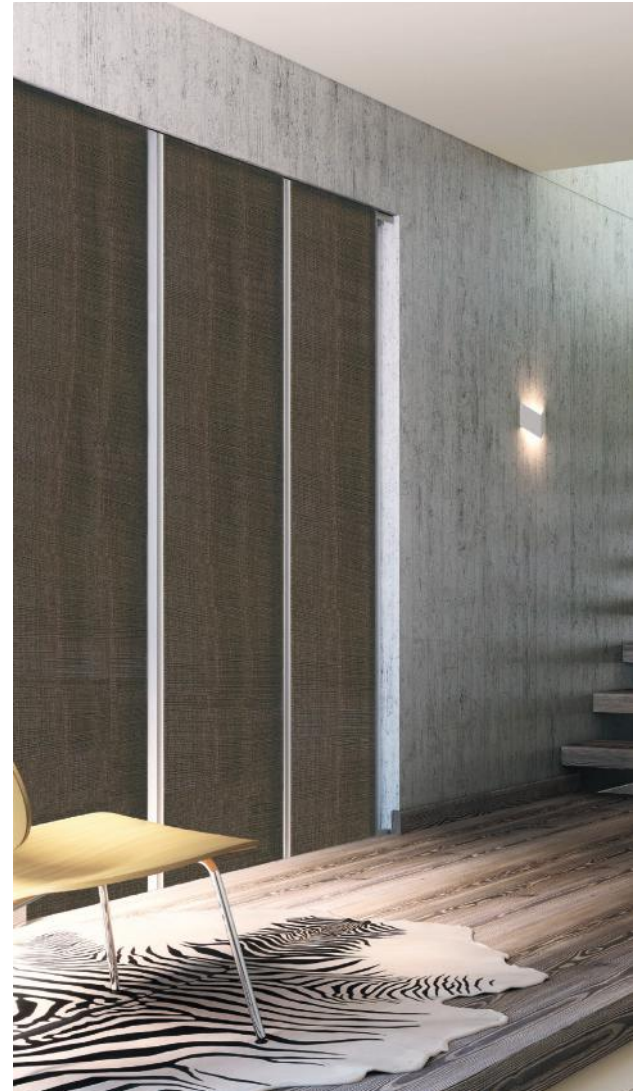
- Unwanted door movement prevented thanks to the soft closing smooth runners lower bearing and their triple running points
- Automatic and cushioned gradual soft closing
- 50kg load rating
- Aluminium handle designed to suit 18mm door thickness

Item Code	Item	Finish	Quantity																						
NV-SLDUpperAN	Double Upper Track	Anodised	4.2m Length																						
NV-SLDUpperW	Double Upper Track	White	4.2m Length																						
NV-SLDUpperBK	Double Upper Track	Black	4.2m Length																						
NV-SLDLowerAN	Double Lower Track	Anodised	4.2m Length																						
NV-SLDLowerW	Double Lower Track	White	4.2m Length																						
NV-SLDLowerBK	Double Lower Track </tr <tr> <td>NV-SLDKit2DR</td> <td>2 Door Soft Close Component Set</td> <td>N/A</td> <td>Set</td> </tr> <tr> <td>NV-SLDKit3DR</td> <td>3 Door Soft Close Component Set</td> <td>N/A</td> <td>Set</td> </tr> <tr> <td>NV-SLDHandleAN</td> <td>Handle</td> <td>Anodised</td> <td>5.2m Length</td> </tr> <tr> <td>NV-SLDHandleW</td> <td>Handle</td> <td>White</td> <td>5.2m Length</td> </tr> <tr> <td>NV-SLDHandleBK</td> <td>Handle</td> <td>Black</td> <td>5.2m Length</td> </tr> <tr> <td>NV-SLDDust</td> <td>Dust Strip</td> <td>N/A</td> <td>Metre</td> </tr>	NV-SLDKit2DR	2 Door Soft Close Component Set	N/A	Set	NV-SLDKit3DR	3 Door Soft Close Component Set	N/A	Set	NV-SLDHandleAN	Handle	Anodised	5.2m Length	NV-SLDHandleW	Handle	White	5.2m Length	NV-SLDHandleBK	Handle	Black	5.2m Length	NV-SLDDust	Dust Strip	N/A	Metre
NV-SLDKit2DR	2 Door Soft Close Component Set	N/A	Set																						
NV-SLDKit3DR	3 Door Soft Close Component Set	N/A	Set																						
NV-SLDHandleAN	Handle	Anodised	5.2m Length																						
NV-SLDHandleW	Handle	White	5.2m Length																						
NV-SLDHandleBK	Handle	Black	5.2m Length																						
NV-SLDDust	Dust Strip	N/A	Metre																						

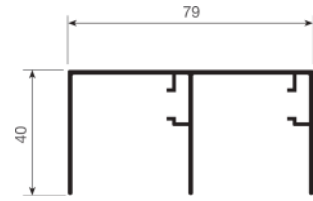
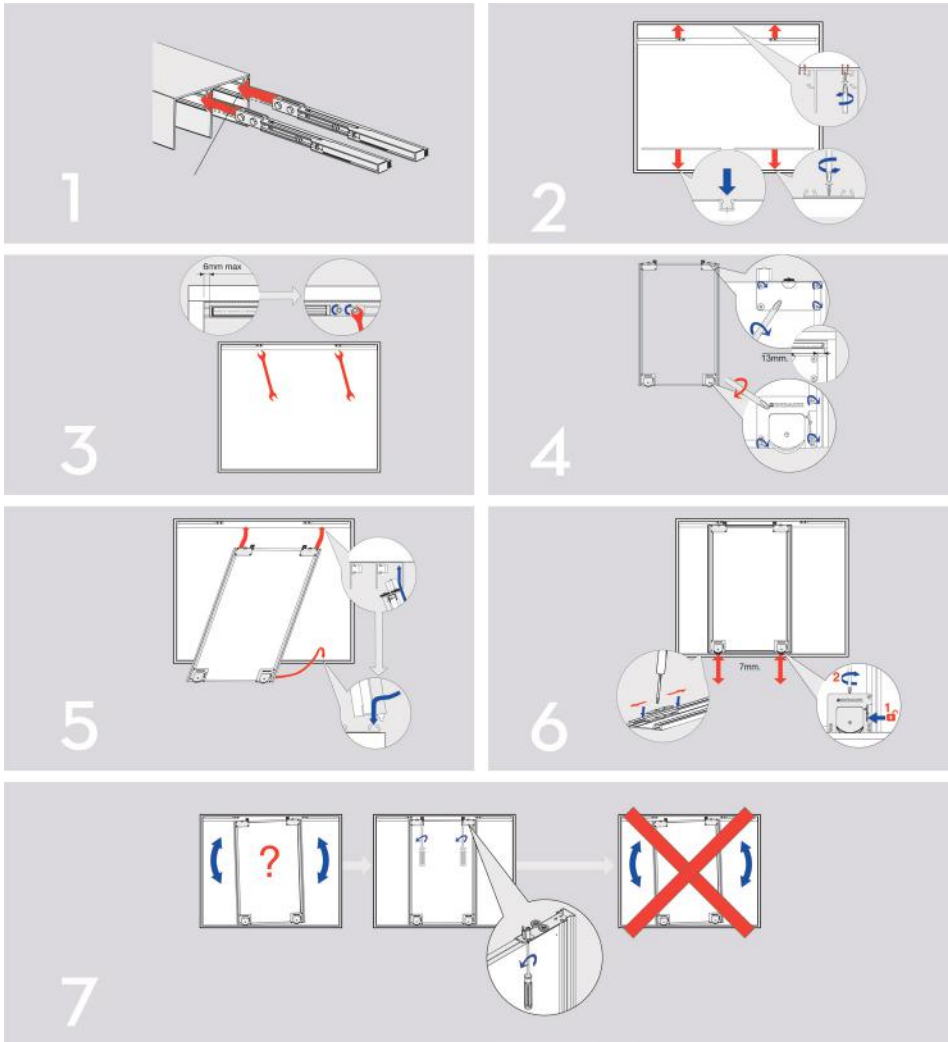
Note - The dust strip should be cut according to the door's length, the dust strip is sold by the metre

SOFT CLOSE COMPONENT SET INCLUDES:

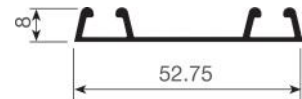
Contents	2 Door	3 Door
A. Cushioned automatic gradual closing Indamatic	4 Units	4 Units
B. Right hand top roller Indamatic	2 Units	3 Units
C. Left hand top roller Indamatic	2 Units	3 Units
D. Bottom roller Indamatic	4 Units	6 Units
E. Door positioner Indamatic	N/A	1 Unit



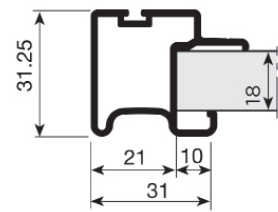
Indamatic Assembly



Upper Track Dimensions

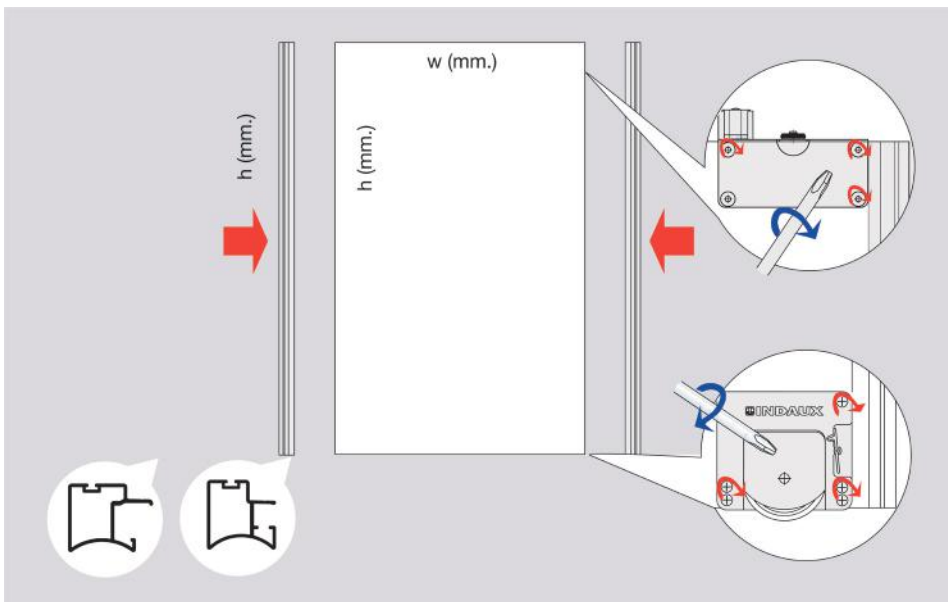


Lower Track Dimensions



Handle Profile Dimensions

Sliding Door System Assembly



6 HINGES & DOOR CONTROL

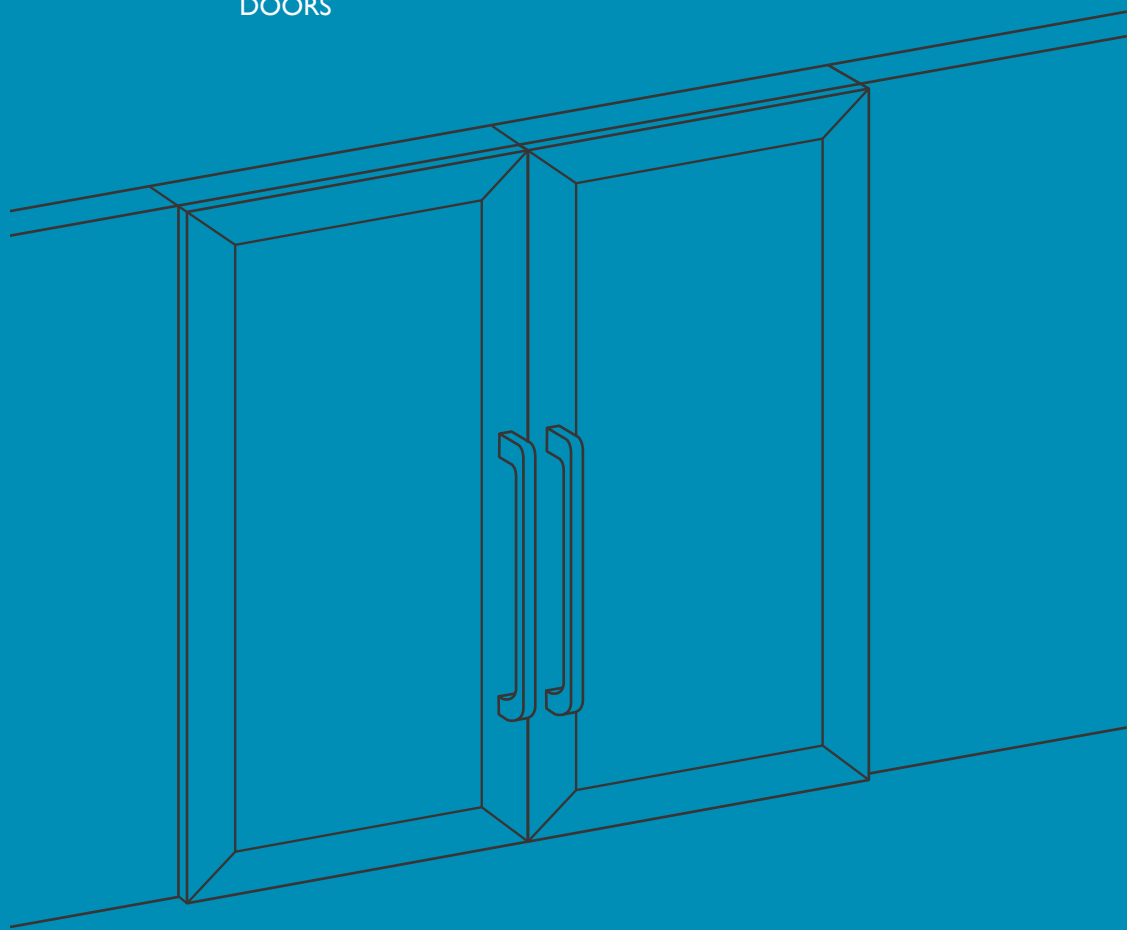


7

ALUMINIUM FRAME DOORS

ALUMINIUM
FRAMED GLASS
DOORS

178



ALUMINIUM
FRAME DOORS
7

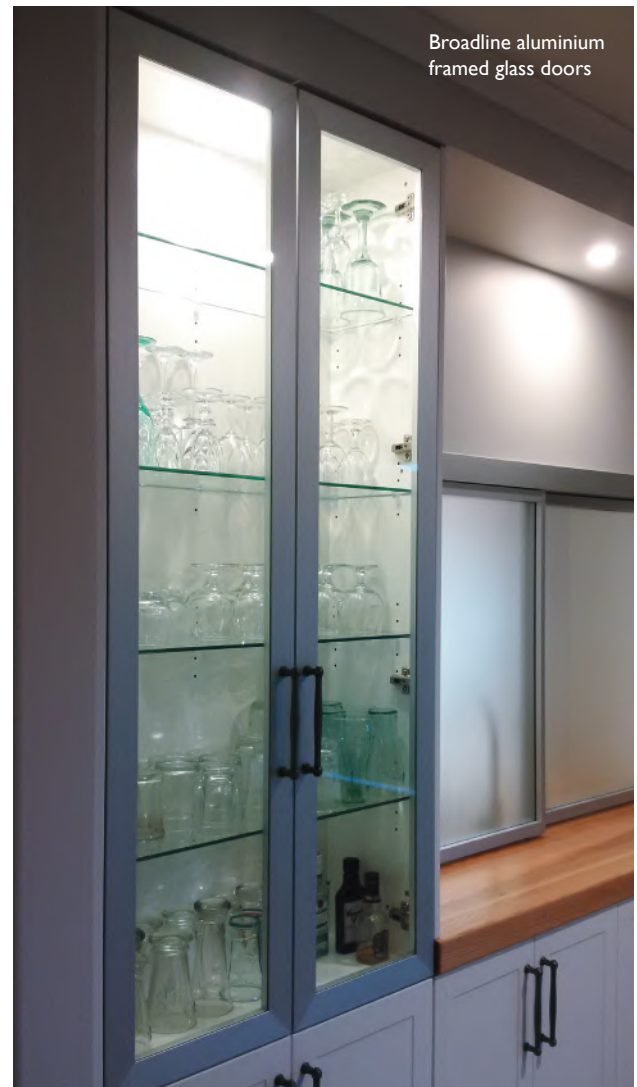
ALUMINIUM FRAMED GLASS DOORS

ALUMINIUM FRAMED GLASS DOORS

Very popular in modern kitchen designs. We custom manufacture any size, from a range of different profiles, lots of glass options and hardware drilled for and supported as required.

FEATURES

- Made to order
- Available in four different profiles:
 - Fineline - 50 x 20mm
 - Twinline 50 x 20mm
 - Squareline 20 x 20mm
 - Broadline 50 x 20mm
- Available in Standard Anodised & Powder Coating (Dulux & Interpon Colour Range) for all profiles and Black Anodised in Squareline and Fineline profiles only
- Glass options including Etchlite (frosted), Clear and others
- Drilled for Blum hardware unless otherwise requested
- Enko order form must be completed for all quotes and orders - <https://enko.nz/custom-made-aluminium-framed-glass-doors>



Broadline aluminium framed glass doors



Squareline Black Anodised





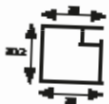
Aluminium Framed Glass Door Quote / Order Form

Order Form / Quote Request (Circle One)

Deliver to:	Job No:
Company Name:	Order No:
Street Address:	Date Required:
City:	Customer Tel No:
	Contact Person:

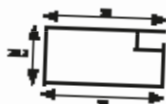
Please Select the Required Profile:

SQUARELINE



CS20

BROADLINE



CB45

TWINLINE



CH45

FINELINE



CF45

Door No.	Height	Width	Qty	L/H	R/H	Std Door	Bi-Fold	Flap	Panel
1						<input type="checkbox"/>	<input type="checkbox"/>	<input type="checkbox"/>	<input type="checkbox"/>
2						<input type="checkbox"/>	<input type="checkbox"/>	<input type="checkbox"/>	<input type="checkbox"/>
3						<input type="checkbox"/>	<input type="checkbox"/>	<input type="checkbox"/>	<input type="checkbox"/>
4						<input type="checkbox"/>	<input type="checkbox"/>	<input type="checkbox"/>	<input type="checkbox"/>

Finishes: Standard Anodised (all profiles) Black Anodised (Squareline + Finline Profiles Only)

Powder Coating - Dulux & Interpon Colour Range (all profiles):

Glass Type: Echlite Clear Other, please name:

Cabinet Panel Thickness: 16mm 18mm Hinge

Hinges: Full Overlay Half Overlay Inset Do not supply

Assembly: Kitset (No Glass) Assembled Drill for hardware

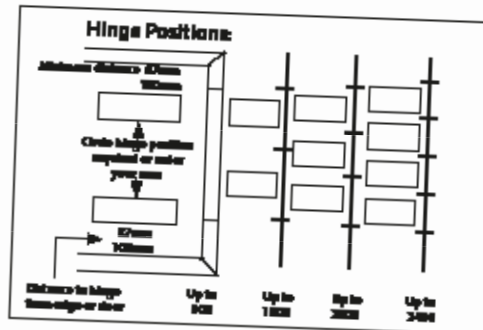
Flap Door: Dura Stays to suit Other: Do not supply hardware

Bi-Fold Hardware: Cinotto Hardware Track Length: 1200mm 2400mm

If you require different hinge positioning than shown to the right, please alter dimensions on this drawing. Additionally, if they alter per door, send one order per door. Standard position is 105mm in from either end of hung edges.

- Glass Size Deductions:
- CS20 - Overall door less 27mm
 - CB45 - Overall door less 67mm
 - CH45 - Overall door less 39mm
 - CF45 - Overall door less 6mm

Glass: We only use toughened glass. Detailed drawing MUST be supplied showing position of any handle holes required for glass.

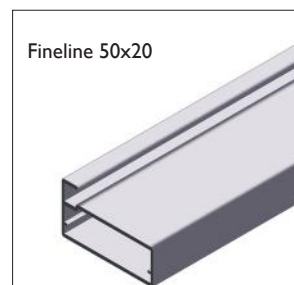
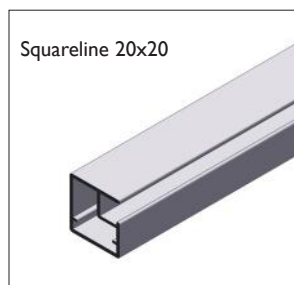
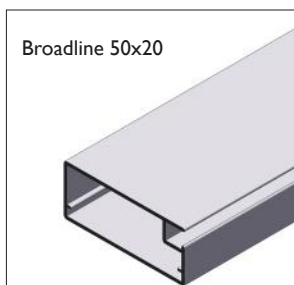


PHONE: 0508 365 674

EMAIL: sales@enko.nz

ADDRESS: 14 Winger Crescent, Kamo, Whangarei 0112

www.enko.nz





8

SHAWS BUTLER SINKS

BUTLER SINKS

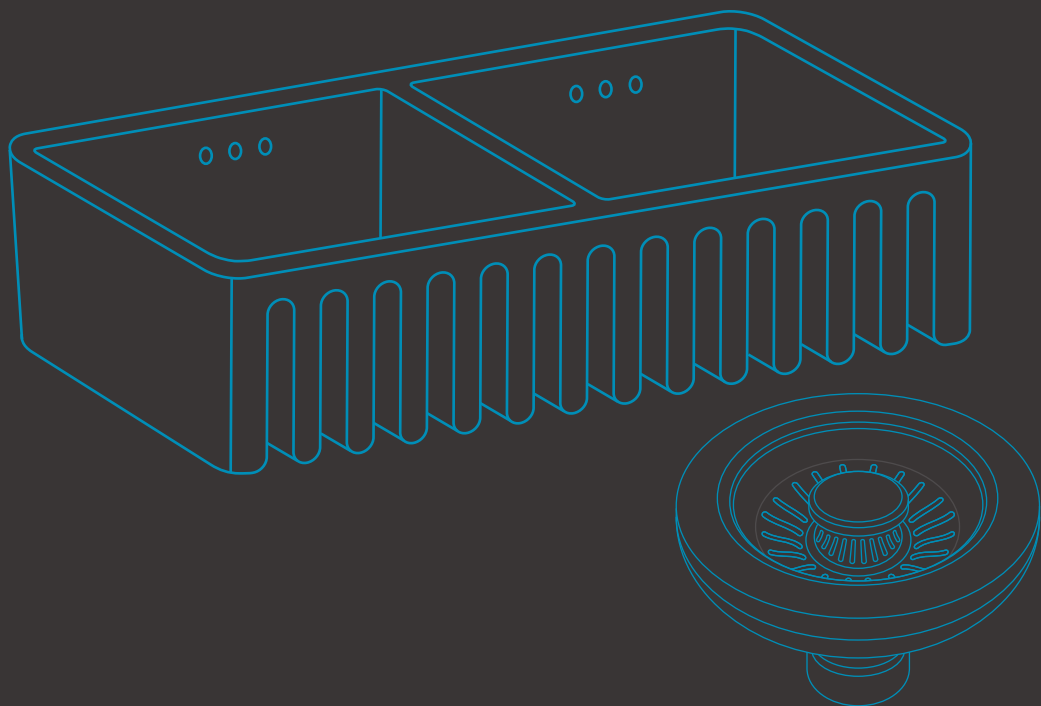
182

INSETS &
UNDERMOUNTS

187

ACCESSORIES

189



Beautiful and tactile, these artisan fireclay sinks are handcrafted, using traditional techniques, making them practical and hardwearing.

Each sink is unique because they are handmade by Master Craftsmen using the same methods of traditional craftsmanship since 1897.

Luxurious, durable, anti-bacterial glaze finish.

BUTLER SINKS

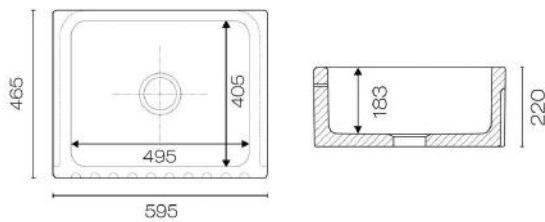
BUTLER SINKS

SHAW'S BOWLAND

The Bowland is a beautifully crafted, iconic single bowl sink with a fluted front. It makes the perfect solution for a traditional country-looking kitchen.

- Requires either Type A basket strainer waster or waste disposal system

Item Code	Item	Width	Depth	Height	Quantity
KTSB600	Shaws Bowland 600 Butler Sink	595mm	465mm	220mm	Each



Due to Shaw's fireclay ceramics being beautifully handcrafted all sink sizes are +/- 2% variance from specified dimensions. We recommend your kitchen manufacturer is aware of this and that no benchtops or cabinets are cut until your sink is on site.

BUTLER SINKS

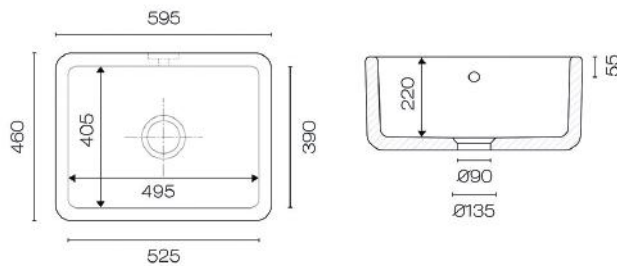
SHAW'S CLASSIC

The Butler Sink has graced the worlds finest homes for over a century with its timeless, practical and beautiful design.

Ideal for modern or traditional-looking kitchens and is available in two sizes.

- Requires either Type A basket strainer waster or waste disposal system

Item Code	Item	Width	Depth	Height	Weight	Quantity
KTSCB600	Shaws Classic Butler Sink 600	595mm	460mm	255mm	50kg	Each
KTSCB800	Shaws Classic Butler Sink 800	795mm	460mm	255mm	60kg	Each



Classic Butler Sink 800



Classic Butler Sink 600



Due to Shaw's fireclay ceramics being beautifully handcrafted all sink sizes are +/- 2% variance from specified dimensions. We recommend your kitchen manufacturer is aware of this and that no benchtops or cabinets are cut until your sink is on site.

BUTLER SINKS

BUTLER SINKS

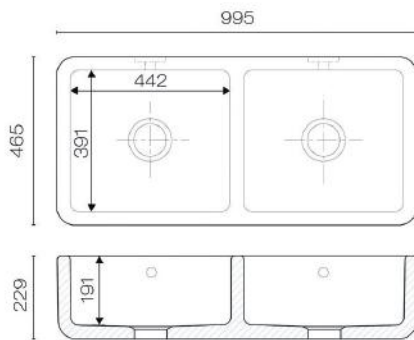
SHAWS CLASSIC DOUBLE

The Butler Sink double bowl is the perfect choice for a multi-purpose sink, balancing style and practicality.

Ideal for busy kitchens and is available in two sizes.

- Requires either Type A basket strainer waster or waste disposal system

Item Code	Item	Width	Depth	Height	Weight	Quantity
KTSCD800	Shaws Classic Double Butler Sink 800	795mm	465mm	229mm	62kg	Each
KTSCD800	Shaws Classic Double Butler Sink 1000	995mm	465mm	229mm	78kg	Each



Due to Shaw's fireclay ceramics being beautifully handcrafted all sink sizes are +/- 2% variance from specified dimensions. We recommend your kitchen manufacturer is aware of this and that no benchtops or cabinets are cut until your sink is on site.

BUTLER SINKS

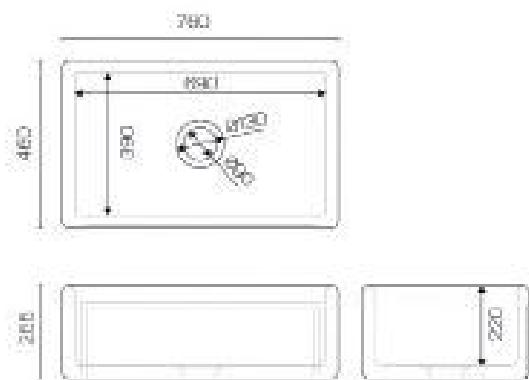
SHAWS ENTWISTLE

The large, single bowl Entwistle sink is designed with a unique patterned front.

It makes a great choice for both modern and traditional kitchens.

- Requires either Type A basket strainer waster or waste disposal system

Item Code	Item	Width	Depth	Height	Weight	Quantity
KTSE760	Shaws Entwistle 760 Butler Sink	760mm	460mm	255mm	57.5kg	Each



Due to Shaw's fireclay ceramics being beautifully handcrafted all sink sizes are +/- 2% variance from specified dimensions. We recommend your kitchen manufacturer is aware of this and that no benchtops or cabinets are cut until your sink is on site.

BUTLER SINKS

BUTLER SINKS

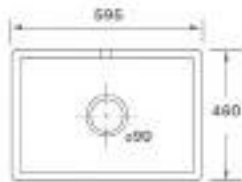
SHAWS SHAKER

The Shaker features a deep bowl and clean sharp lines. This versatile and timeless sink adds a touch of elegance to any kitchen.

- Requires either Type A basket strainer waster or waste disposal system



Item Code	Item	Width	Depth	Height	Weight	Quantity
KTSCS600	Shaws Shaker 600 Butler Sink	595mm	465mm	255mm	Each	Each



Due to Shaw's fireclay ceramics being beautifully handcrafted all sink sizes are +/- 2% variance from specified dimensions. We recommend your kitchen manufacturer is aware of this and that no benchtops or cabinets are cut until your sink is on site.

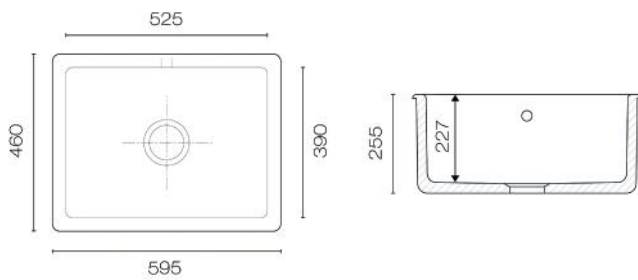
INSETS & UNDERMOUNTS

SHAWS CLASSIC INSET

Perfect as a secondary sink, the Inset is both beautiful and practical and can be installed as either an inset or undermount sink.

- Two mounting options: Inset or Undermount
- Requires either Type A basket strainer waster or waste disposal system

Item Code	Item	Width	Depth	Height	Weight	Quantity
KTSCI600	Shaws Classic Inset 600 Sink	595mm	460mm	255mm	50kg	Each



Due to Shaw's fireclay ceramics being beautifully handcrafted all sink sizes are +/- 2% variance from specified dimensions. We recommend your kitchen manufacturer is aware of this and that no benchtops or cabinets are cut until your sink is on site.

INSETS & UNDERMOUNTS

INSETS & UNDERMOUNTS

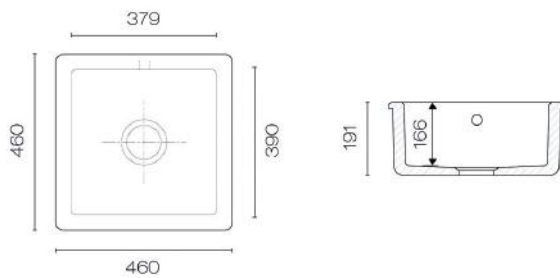
SHAWS CLASSIC SQUARE

The Square sink is perfect for vegetable preparation or for use in island or peninsular applications.

It can be installed as either an inset or undermount sink.

- Two mounting options: Inset or Undermount
- Requires either Type A basket strainer waster or waste disposal system

Item Code	Item	Width	Depth	Height	Weight	Quantity
KTSCS460	Shaws Classic Square 460 Sink	460mm	460mm	191mm	30kg	Each



Due to Shaw's fireclay ceramics being beautifully handcrafted all sink sizes are +/- 2% variance from specified dimensions. We recommend your kitchen manufacturer is aware of this and that no benchtops or cabinets are cut until your sink is on site.

ACCESSORIES

REPAIR KIT

Minor damage to baths, basins or tiles can easily be repaired with this repair kit.

Acting as a long-lasting filler and a top coat, this makes it ideal for touching up ceramic, enamel, acrylic, metal, powder coated, or painted surfaces.

This robust, temperature resistant, industrial quality kit allows you to cost effectively deal with minor damage in your bathroom.

- Suitable for baths, basins, shower trays, kitchen sinks
- Easy to use

Item Code	Item	Colour	Style	Quantity
KTCRRK080	Ceramic, Enamel, Acrylic Repair Kit	Alpine White	Kit	Each



SHAWS RUBBER SINK MAT

For customers seeking the extra assurance provided by a rubber mat to protect the base of their sink.

Our embellishments have been carefully designed to perfectly complement our range of handcrafted sinks.

- Protects glasses/china
- Protects sink from heavy impact

Item Code	Item	Width	Height	Quantity
KTSHRM	Shaws Rubber Sink Mat	400mm	320mm	Each



SHAWS TYPE A BASKET STRAINER WASTE

Handmade basket waste kits, crafted with the highest grade stainless steel and featuring ceramic indices with matching Shaws insignia.

Our embellishments have been carefully designed to perfectly complement our range of handcrafted sinks.

- Required for all Shaws Butler Sinks where a waste disposal system is not used

Item Code	Item	Quantity
KTTYPEACR	CR Chrome	Each
KTTYPEANS	NS Pewter	Each



INDEX

HANDLES

D HANDLES

Austral No. 15 Cranbrook	16
Austral No. 16 Wentworth	17
Austral No. 23	18
Austral No. 83	18
Austral No. 85	18
Austral No. 95	18
Austral No. 96	19
Metakor No. 97	19
Austral No. 132	19
Austral No. 137	19
Austral No. 138	20
Austral No. 141	20
Austral No. 145	20
Austral No. 147	20
Austral No. 174	21
Austral No. 175	21
Austral No. 176	21
Metakor No. 189 Recife	22
Metakor No. 190 Rio	23
Metakor No. 200 Limoges	23
Metakor No. 203 Limoges	23
Metakor No. 206 Victoria	23
Metakor No. 208 Cone	24
Metakor No. 210 Telford	24
Metakor No. 211 Kentucky	24
Metakor No. 212 Derby	25
Metakor No. 213 Oval	25
Metakor No. 220 Bones	26
Metakor No. 221 Pinot	26
Metakor No. 227 Concepcion	26
Metakor No. 228 Mezzo	26
Metakor No. 230 Neck	27
Metakor No. 231 Blade	27
Metakor No. 232 Castle	27
Metakor No. 241 Pronto	27
Metakor No. 244 Stretch	28
Metakor No. 247 Angus	28
Metakor No. 252 Buffer	28
Metakor No. 261 Scoop	29
Metakor No. 263 Quilt	29

BOW HANDLES

Austral No. 11	30
Austral No. 30	30
Austral No. 32	30
Austral No. 35	30
Austral No. 69	31
Austral No. 71	31
Austral No. 110	31
Austral No. 133	32
Metakor No. 144	32
Metakor No. 185 Geneva	32
Metakor No. 240 Rialto	32

PULL HANDLES

Austral No. 47	33
Austral No. 48	33
Austral No. 152	33
Austral No. 154	33
Austral No. 178	34
Metakor No. 188 Prisma	34
Metakor No. 191 Vienna	35
Metakor No. 195 Memphis	35
Metakor No. 197 Corsica	36
Metakor No. 198 Shell	36
Metakor No. 238 Mercure	36
Metakor No. 239 Zephir	37
Metakor No. 250 Toronto	37
Metakor No. 251 Straight	38
Metakor No. 260 Frame	39
Metakor No. 262 Emojie	40

DROP HANDLES

Metakor No. 199 Limoges	41
Metakor No. 202 Limoges	41
Metakor No. 205 Victoria	41

KNOBS

Austral No. 15 Cranbrook	42
Austral No. 16 Wentworth	43
Austral No. 37	43
Austral No. 39	43
Austral No. 43	44
Metakor No. 201 Limoges	44
Metakor No. 204 Limoges	44
Metakor No. 207 Victoria	44
Metakor No. 218 Bistro	45
Metakor No. 221 Pinot	45
Metakor No. 222 Iris	45
Metakor No. 223 Prelude	46
Metakor No. 224 Carre	46
Metakor No. 245 Vintage	46
Metakor No. 246 Vintage	46
Metakor No. 253 Buffer	47
Metakor No. 261 Scoop	47
Metakor No. 263 Quilt	48

EXTRUSION HANDLE FREE

Austral Cap-Install No. 125A	49
Austral Cap-Install No. 125B	49
Austral Cap-Install No. 125C	49
Austral Cap-Install No. 125D	49
Austral Groove-Install No. 109A	50
Austral Groove-Install No. 109B	50
Austral Groove-Install No. 109C	50
Austral Groove-Install No. 127	50
Austral Groove-Install No. 131A	51
Austral Groove-Install No. 131B	51
Austral Groove-Install No. 131C	51
Router Bits	51

Recessed No. 130 Extrusion	52
Recessed No. 130 End Caps	53
Recessed No. 130 End Fixing Clip	53
Recessed No. 130 Internal Corner Fixing Clip	53
Recessed No. 130 External Corner Fixing Clip	53
Volpato Recessed Gola Extrusion Handle	55
Volpato Recessed Gola Fixing Bracket	55
Volpato Recessed Gola External End Caps	55
Handle Free Internal End Caps	56
Handle Free External End Caps	56
Handle Free Internal Join 45° Corners	56
Handle Free External Join 45° Corners	57
Handle Free Internal Join 90° Corners	57
Handle Free External Join 90° Corners	57
Handle Finishes	59

DRAWER & RUNNER SYSTEMS

Slimbox Soft Close Drawer System	62
Steel Sided Drawers	64
Soft Close Adapters	64

RUNNER SYSTEMS

Slimbox Undermount Soft Close Runners	65
Ball Bearing Runners	65
Bottom Mounted Runners	65

DRAWER ORGANISERS

Slimbox Stainless Steel Divider System	66
Slimbox Frame Divider Rail System	68
Slimbox Steel Divider System	70
Slimbox Steel Divider System with Magnet	71
Gollinucci COMBI™ Line Modular Cutlery Tray System	72
Gollinucci Classic Line Cutlery Trays	74
Cutlery Trays	76
Utensil Trays	76
Spice Trays	76
Volpato Non-Slip Draw Matting	77

DRAWER CUT OUTS

Fixol Universal Cut Out Set	78
Undersink Plastic Waste Cut Out	79
Sige Under Sink Drawer	80

STORAGE SYSTEMS

BASE CABINET

Sige Pull-Out Detergent Rack	82
Gollinucci Sous Chef Tray Plus	85
Gollinucci Sous Chef One	85
Gollinucci Sous Chef Smart	86
Gollinucci Sous Chef Slim	86
Gollinucci Sous Chef Knife Block	87
Sige Infinity Pullout Bottle Rack	88

Sige Pro Pullout Bottle Rack	89
Sige Infinity Pullout Bottle Rack Large Capacity	90
Sige Pro Pullout Bottle Rack Large Capacity	91
Sige Multi Hub	92
Vibo Pullout Narrow Cabinet	94
Vibo Bottle Organiser 2 Tier	95

CORNER CABINETS

Sige Solid Base 1/2 Lazy Susan	96
Sige Wire Base 3/4 Lazy Susan	97
Vibo 1/2 Lazy Susan	98
Vibo 3/4 Lazy Susan	99
Vibo Fly Moon	100
Sige Eco Nuvola	102
Vibo Flybox	104
Vibo Smart Corner	106

TALL CABINETS

Vibo Pullout Broom Rack	108
Vibo Pullout Pantry	110
Sige Infinity Pullout Pantry	112
Sige Proline Pullout Pantry	114
Sige Proline 3-Tier Unit	116
Slimbox Pantry Drawers	118
Sige Cupboard Storage Kit 610L	120
Sige Cupboard Storage Kit 610S	121
Sige Cupboard Storage Kit 615	122

OTHER STORAGE SYSTEMS

Gollinucci Sous Chef Kitchen Rail System	123
Pull Out Tea Towel Rail	124
Tea Towel Rails	124
Wine Glass Holder	124
Floating Shelf	125

BIN SYSTEMS

WASTE SYSTEMS

Gollinucci Concept 560 Bin	128
Gollinucci Concept 571 Blum Legrabox	130
Gollinucci Large Capacity Hanging Bins	131
Vibo Secure In-Drawer Bins	132
Gollinucci Loose Bins	134
Gollinucci European Hand Pull/ In Cupboard Bin	135
Sige European Handle Pull Bins	136
Kimberley Pullout Bins	137
Sige Concealed Waste Bin	138
Kimberley Concealed Waste Bin	138

LAUNDRY BINS

Gollinucci European Easi Lift Laundry Bin	139
Gollinucci European Pullout Laundry Bin	140
Gollinucci European Tilt Out Laundry Bin	140

CABINET COMPONENTS

ENKO CABINET LEGS

Enko Adjustable Cabinet Legs	142
Enko Adjustable Cabinet Leg Under-Foot Plug	144
Enko Adjustable Cabinet Leg Adjusting Tool	145

ALUMINIUM LEGS

Aluminium Legs	146
----------------	-----

MADE TO MEASURE LEGS

Stainless Steel Legs	147
----------------------	-----

PLINTH PANEL & JOINTERS

Volpato Plinth Panels	148
-----------------------	-----

DOOR BUFFERS

Push-In Door Buffers	150
Stick-On Door Buffers	150

BLANKING PLUGS

Blanking Plugs	150
----------------	-----

SHELF STUDS

Plastic Shelf Studs	151
Steel Pin Plastic Shelf Studs	151
Steel Shelf Studs	151

CAPS, COLLARS & PORTS

Fixol Dishwasher Pipe Tidy	152
Fixol Finishing Collar/Lid	153
Cable Entry Port	154
Screw Cap Covers	155
Stick-On Screw Covers	155

SCREWS

Pan Head Wood Screws	156
Wood Screws	156
Euro Screws	157
Handle Fixing Screws	157
Hinge Fix Screws	157

CONNECTORS & BRACKETS

Steel Angle Brackets	158
Wooden Jointing Biscuits	159
Wooden Jointing Dowels	159
Striplox Range	160

OTHER

Wooden Wedges	162
Stockinette/Mutton Cloth	162
T-Shirting Rags	162

HINGES & DOOR CONTROL

SOFT CLOSE HINGES

110° Hinge Full Overlay Hinge	164
110° Stainless Steel Shallow Cup Hinge	164
Corner Hinge 45° Corner Door	165
Corner Hinge 90° Blind Corner	165
Screw Fix Mounting Plates	165

STANDARD HINGES

110° Hinge	166
165° Hinge	166
Corner Hinge 45° Corner Door	167
Corner Hinge 90° Blind Corner	167
Screw Fix Mounting Plates	167

DOOR CONTROL

Push Latches	168
Bifold Soft Close Top Stays	169
Soft Close Top Stays	170
Gas Flap Door Stay	171
Ezi Fold Door Control Arms	171
Indaux Elite Bi-Fold System	172
Indaux Junior 6 Sliding Door System	174

ALUMINIUM FRAME DOORS

Aluminium Frame Glass Doors	178
-----------------------------	-----

SHAW'S BUTLER SINKS

BUTLER SINKS

Shaws Bowland	182
Shaws Classic	183
Shaws Classic Double	184
Shaws Entwistle	185
Shaws Shaker	186

INSETS & UNDERMOUNTS

Shaws Classic Inset	187
Shaws Classic Square	188

ACCESSORIES

Repair Kit	189
Shaws Rubber Sink Mat	189
Shaws Type A Basket Strainer Waste	189

THE ENKO ASSURANCE

WHAT IT'S LIKE TO WORK WITH ENKO. OUR ASSURANCES TO YOU



OUR SERVICE

We love working with and for our customers – we exist to help you! Our phone and customer care team are knowledgeable and helpful and are here for you between 8 am and 4.30 pm every day.



OUR FREIGHT POLICY

We offer Freight Free Nationwide for all orders over \$80 + GST. Orders under \$80 + GST attract a handling fee of \$15.00.



OUR DELIVERY

All orders sent via courier received before 3.30 pm will be despatched the same day.

Transport (Pallets/Lengths etc.) cut off for same day despatch is 2 pm.

In the unlikely event that we do not have stock available – we will notify you ASAP to discuss the lead time or alternative solution.

While we wish they didn't, freight times can vary, the majority of courier orders are sent on an overnight service, larger items/cartons/pallets using transport will take a little longer.

If you have special requirements for delivery just let us know!



OUR WARRANTIES

We offer a warranty on all our products for ten years from the time of sale, except Shaw's Butler sinks which are covered by a seven year manufacturer warranty.

Our full terms of trading are available at www.enko.nz



RETURNS

If you are not satisfied with our products or you need to return for any reason, we will accept these for up to 90 days from the date of sale. Products must be returned in new condition and include all original packaging. Used, installed, damaged or incorrectly packaged items may result in a restocking fee so we can return the product to saleable condition.



SAMPLING

Samples are available on request. We'd love to discuss your project and sampling needs; give us a call.

GET IN TOUCH WITH US



Enko Group Ltd
14 Winger Crescent,
Kaitiaki, Wairarapa 01 13
New Zealand



0800 265 474



sales@enko.co.nz



www.enko.co.nz

FOLLOW US





GET IN TOUCH WITH US

 Enko Group Ltd
14 Winger Crescent,
Kamo, Whangarei 0112
New Zealand

 0508 365 674

 sales@enko.nz

 www.enko.nz

FOLLOW US   



 SMART SYSTEMS FOR DESIGN INTERIORS