



Titus

DIY Lighting

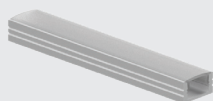
Plug and Play Solutions

Stefano Orlati Titus+

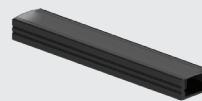
DIY Lighting MADE EASY

STEP 1: Select your profile

The Stesso profile has been specifically designed to suit DIY compatible connectors and strip lights, with a choice between two finishes and opaque or tinted diffusers.



OR



3m length Opaque: DIY-STESEO-OP-3M

3m length Tinted: DIY-STESEO-TI-3M

End Cap: SO-L-ENDCAP-STESEO

Clip: SO-L-CLIP-STESEO

Please note, nine clips and two end caps are supplied with each 3m profile length.

3m length Opaque: DIY-STESEO-OP-MB-3M

3m length Tinted: DIY-STESEO-TI-3M-MB

End Cap: SO-L-ENDCAP-STESEO-MB

Clip: SO-L-CLIP-STESEO-MB

OR

STEP 2: Choose your LED strip light

COB608 LED Strip Light

COB608 is a colour-tuneable chip-on-board strip which can be adjusted from warm white to daylight white to cool white to suit every mood and colour palette. The chip-on-board strip light provides a clean, consistent non-dotted effect. Cuttable in lengths of 27.8mm.



5m Roll: DIY-COB608-WW/CW

STEP 3: Create more intricate lighting designs by adding DIY connectors

Add-on connector clips for the COB608 LED strip light

Straight Connector Clip

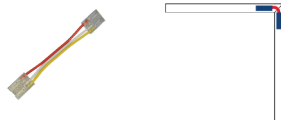
To seamlessly join two lengths of strip light.



DIY-CONNECT-COB608-WW/CW

Corner Connector Clip

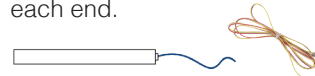
For placement between two mitred profiles.



DIY-CORNER-COB608-WW/CW

Tail End Clip

For placement on end of strip light. All 5m strip light lengths include a 2m tail connector on each end.



DIY-TAIL-COB608-WW/CW

STEP 4: Choose your accessories

Add on a remote panel and a controller box to control your strip light settings

Standard Controller Box

For use with Colour Tuneable Remote panel
602.8S07.101.002

OR



+

Colour Tuneable Remote Panel

Wall-mounted or hand-held panel includes colour temperature slider, dimming options and 4 channels



5-in-1 Controller Box

Compatible with smart home devices like Alexa
602.8S07.101.004



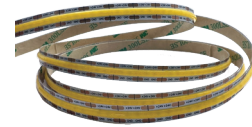
602.8S07.100.002

For more information, see the Complete Lighting Catalogue

STEP 2: Choose your LED strip light

COB528 LED Strip Light Available in 24V or 12V

COB528 is a single colour strip light available in either Cool White, Daylight White or Warm White. The chip-on-board strip light provides a clean, consistent non-dotted effect. Cuttable in lengths of 11mm (24V) or 7.56mm (12V).



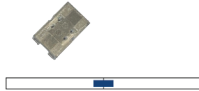
24V 5m Roll Cool White: DIY-COB528-CW
24V 5m Roll Daylight White: DIY-COB528-DW
24V 5m Roll Warm White: DIY-COB528-WW
For 12V COB528 see page 7.

STEP 3: Create more intricate lighting designs by adding DIY connectors

Add-on connector clips for the COB528 LED strip light

Straight Connector Clip

To seamlessly join two lengths of strip light.



DIY-CONNECT-COB528-SINGLE

Corner Connector Clip

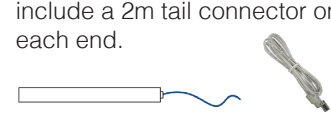
For placement between two mitred profiles.



DIY-CORNER-COB528-SINGLE

Tail End Clip

For placement on end of strip light. All 5m strip light lengths include a 2m tail connector on each end.



DIY-TAIL-COB528-SINGLE

STEP 4: Choose your accessories

Add on a remote panel and a controller box to control your strip light settings

Standard Controller Box

For use with Dimmer Remote panel
602.8S07.101.001



Dimmer Remote Panel

Wall-mounted or hand-held panel includes dimmer slider and 4 channels



5-in-1 Controller Box

Compatible with smart home devices like Alexa
602.8S07.101.004



602.8S07.100.001

COB528 is also compatible with the Hand, Door and PIR sensors for additional functionality. See the Stefano Orlati Lighting Catalogue for more information.

STEP 5: Add your 24V Transformer

Refer to the Capacity Guide in the Stefano Orlati Lighting Catalogue for help selecting the best transformer for your needs based on the length of your lighting.

24V-60W Transformer



TF-60-24K



24V-90W Transformer



TF-90-24K



24V-120W Transformer



TF-120-24K



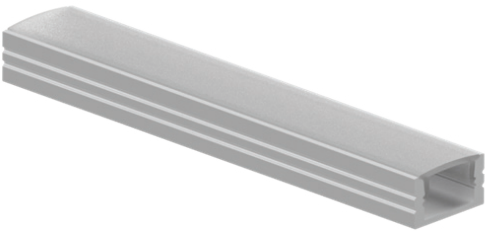
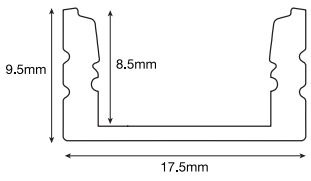
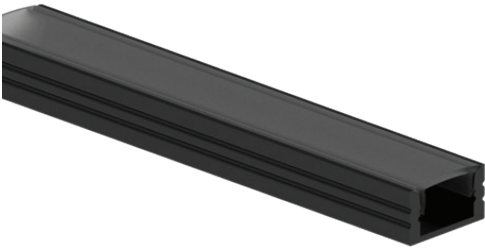
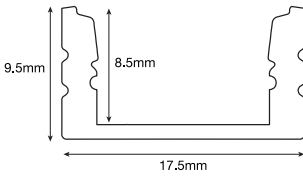
Or choose from the 12V-25W transformer, 12V-60W transformer or 12V-90W transformer for the 12V COB528.

DIY Profiles

Stesso Profile

Designed to suit DIY compatible connectors to complement a Plug and Play LED Lighting solution

- 3m lengths supplied with 9 clips and 2 end caps
- Available with tinted or opaque diffusers

		 	
Technical and mounting details		Item number	
DIY STESSO Profile  Dimensions: 	3m Length	DIY-STESEO →	OP-3M TI-3M
DIY STESSO Profile Matt Black  Dimensions: 	3m Length	DIY-STESEO →	OP-MB-3M TI-3M-MB

Scan to view documentation and resources:



For more information, see the Complete Lighting Catalogue

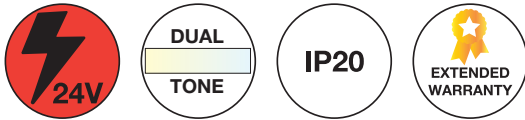
LED Strip Lights

24V COB 608 Colour Tuneable

One product to suit every application - the COB 608 tuneable strip can be adjusted from cool white to warm white and everything in between

- Adjust colour temperature to suit a variety of moods and rooms
- Plug & Play installation
- Cuttable in 27.8mm increments
- Self-adhesive peel and stick backing
- Long-life chip-on-board LED strip light

Note: Requires the Tuneable Panel and a controller box to access full functionality



BRIGHTNESS

Technical and mounting details



Item number

Adjustable from approx 3000k to approx 6000k

24V COB 608 Colour Tuneable IP20

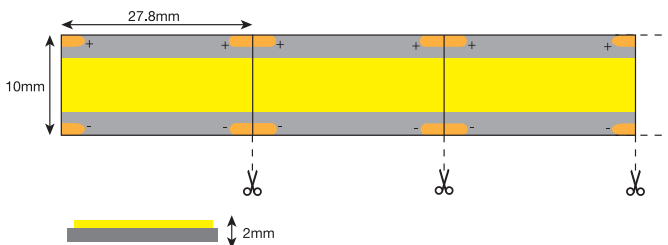
5m Roll

DIY-COB608 →

WW/CW



Dimensions:



Compatible with:

24V 60W Transformer: Max run 5m

24V 90W Transformer: Max run 7.5m

24V 120W Transformer: Max run 10m

Tuneable Panel: Max run 18m 60W, 28m 90W or 38m 120W when used with the Controller Box or 5-in-1 Controller Box

Diode Size	608
LEDs per metre	COB
Voltage	24V DC
Energy (watts)	12 per/m
Width	10mm
Projection	3mm
Viewing Angle	120°
Waterproof Rating	IP20
Dimmable	Yes
Lumens (per/m)	Adjustable 960-1020
Transformer 24V	Maximum run 10 meters
Cuttable	27.8mm increments

Scan to view documentation and resources:



* If using the strip light in conjunction with a sensor or controller refer to capacity guide in the Complete Lighting Catalogue

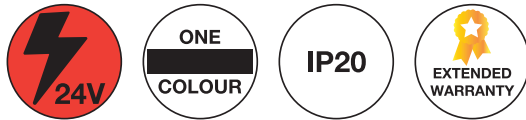
All DIY components are supplied separately and are recommended for strip light only options or the STESSO Profile. Available in a 5 meter roll & includes a 2m tail soldered on each end.

LED Strip Lights

24V COB 528

A flexible chip-on-board strip light to create innovative LED designs and configurations

- New flip chip-on-board (COB) flexible LED strip light
- Higher heat conductivity for better thermal management
- High density diodes for non-dotted lighting panel effect
- Very bright LEDs
- Plug & Play installation
- Cuttable in 11mm increments
- Self-adhesive peel and stick backing with 3M tape
- Low power consumption



BRIGHTNESS

Technical and mounting details

24V COB 528 IP20

5m Roll

Item number

DIY-COB528 →



Daylight white (4000k)



Cool white (6000k)



Warm white (3000k)

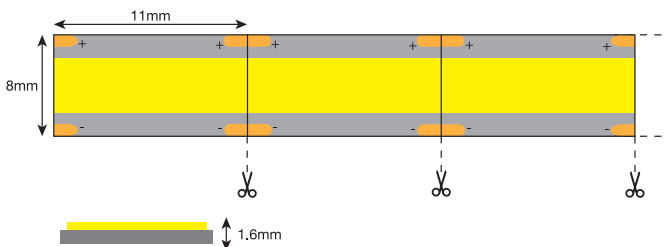
DW

CW

WW



Dimensions:



Compatible with:

24V 60W Transformer: Max run 6m

24V 90W Transformer: Max run 9m

24V 120W Transformer: Max run 12m

Hand sensor: Max run 4.5m 60W only

Door sensor: Max run 4.5m 60W only

Double Door sensor: Max run 4.5m 60W only

PIR sensor: Max run 4.5m 60W only

Double PIR sensor: Max run 4.5m 60W only

Touch Dimmer: Max run 4.5m 60W only

Dimmer Controller: Max run 5m 60W, 8m 90W or 11m 120W

Dimmer Panel: Max run 22m 60W, 34m 90W or 46m 120W when used with the Controller Box or 5-in-1 Controller Box

Toggle Switch: Max run 6m 60W or 7m 90W

* If using the strip light in conjunction with a sensor or controller refer to capacity guide in the Complete Lighting Catalogue

Diode Size	528
LEDs per metre	COB
Voltage	24V DC
Energy (watts)	10 per/m
Width	8mm
Projection	1.6mm
Viewing Angle	150°
Waterproof Rating	IP20
Dimmable	Yes
Lumens (per/m)	Daylight White - 1050 Cool White - 1100 Warm White - 1000
Transformer 24V	Maximum run 12 meters
Cuttable	11mm increments

Scan to view documentation and resources:



All DIY components are supplied separately and are recommended for strip light only options or the STESSO Profile. Available in a 5 meter roll & includes a 2m tail soldered on each end.

For more information, see the Complete Lighting Catalogue

LED Strip Lights

12V COB 528

A flexible chip-on-board strip light to create innovative LED designs and configurations

- New flip chip-on-board (COB) flexible LED strip light
- Higher heat conductivity for better thermal management
- High density diodes for non-dotted lighting panel effect
- Very bright LEDs
- Plug & Play installation
- Cuttable in 7.58mm increments
- Self-adhesive peel and stick backing with 3M tape
- Low power consumption



BRIGHTNESS

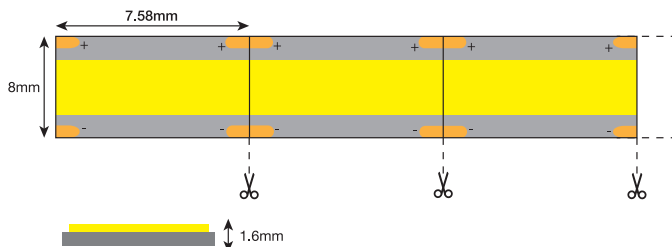
Technical and mounting details

12V COB 528 IP20

5m Roll



Dimensions:



Compatible with:

12V 25W Transformer: Max run 2.5m

12V 60W Transformer: Max run 6m

12V 90W Transformer: Max run 9m

Hand sensor: Max run 1m 25W, or 4.5m 60W

Door sensor: Max run 1m 25W or 4.5m 60W

Double Door sensor: Max run 1m 25W or 4.5m 60W

PIR sensor: Max run 1m 25W or 4.5m 60W

Double PIR sensor: Max run 1m 25W or 4.5m 60W

Touch Dimmer: Max run 1m 25W or 4.5m 60W

Dimmer Controller: Max run 1.5m 25W or 5m 60W

Dimmer Panel: Max run 9m 25W, 22m 60W or 34m 90W when used with the Controller Box or 5-in-1 Controller Box

Toggle Switch: Max run 2.5m 25W or 6m 60W

* If using the strip light in conjunction with a sensor or controller refer to capacity guide in the Complete Lighting Catalogue



Daylight white (4000k)

Cool white (6000k)

Warm white (3000k)

Item number

DIY-COB528-12V →

DW

CW

WW

Diode Size	528
LEDs per metre	COB
Voltage	12V DC
Energy (watts)	10 per/m
Width	8mm
Projection	1.6mm
Viewing Angle	150°
Waterproof Rating	IP20
Dimmable	Yes
Lumens (per/m)	Daylight White - 1000 Cool White - 1050 Warm White - 950
Transformer 12V	Maximum run 9 meters
Cuttable	7.58mm increments

Scan to view documentation and resources:


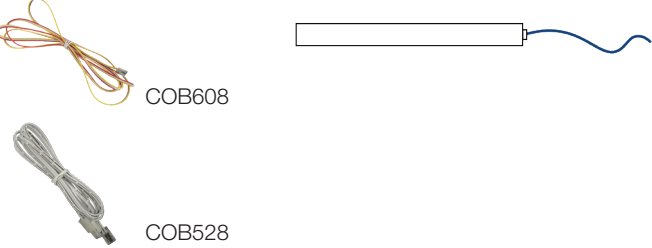




All DIY components are supplied separately and are recommended for strip light only options or the STESSO Profile. Available in a 5 meter roll & includes a 2m tail soldered on each end.

LED Accessories

DIY Connectors

- Plug & Play installation
- Compatible with the 24V COB608 and COB528 strip light options
- DIY connectors are only recommended for use with the STESSO LED profile
- DIY extension cables can be used with LED Imperia Downlights and all strip lights

Technical and mounting details	Item number	Compatible with Strip Light
<p>DIY Straight Connector Clip</p>  <p>COB608</p> <p>COB528</p>	<p>DIY-CONNECT-COB608-WW/CW</p> <p>DIY-CONNECT-COB528-SINGLE</p>	<p>24V COB608</p> <p>12V/24V COB528</p>
<p>DIY Tail End Clip</p>  <p>COB608</p> <p>COB528</p>	<p>DIY-TAIL-COB608-WW/CW</p> <p>DIY-TAIL-COB528-SINGLE</p>	<p>24V COB608</p> <p>12V/24V COB528</p>
<p>DIY Corner Connector Clip</p>  <p>COB608</p> <p>COB528</p>	<p>DIY-CORNER-COB608-WW/CW</p> <p>DIY-CORNER-COB528-SINGLE</p>	<p>24V COB608</p> <p>12V/24V COB528</p>
<p>2m Extension Cable</p> 	<p>EXT-V2</p>	<p>All DIY components are supplied separately and are recommended for strip light only options or the STESSO profile.</p>

For more information, see the Complete Lighting Catalogue

LED Sensors & Panels

5-in-1 Controller Box

Compatible with Google Assistant and Amazon Alexa voice control

- Smart home connectivity enabled
- 2.4G wireless connectivity
- Control distance up to 30m
- Works with RGBW and colour tuneable strip lights and corresponding remote panels
- Compatible with all 12V and 24V strip lights, remote panels and downlights
- 5-in-1 compatibility can replace standard controller box

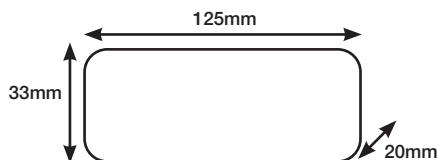


Technical and mounting details

5-in-1 Controller Box



Dimensions



Compatible with:



* Requires additional transformers and controller boxes to reach max run indicated.

If using the strip light in conjunction with a sensor or controller refer to capacity guide in the Complete Lighting Catalogue

Item number

612.8S07.101.004

Description

Controller box

Input Voltage

DC 12V/24V

Total Output

Max 15A

Dimensions

Length 125mm

Width 33mm

Height 20mm

Functions

Dimmer Control

RGBW Control

Dual Tone Tuneable Control

Google Home Voice Activation

Amazon Alexa Voice Activation

Scan to view documentation and resources:



LED Sensors & Panels

Tuneable Remote Panel

Wall mount or use as a hand-held device to control the colour temperature of the COB608 tuneable strip light

- Colour temperature control
- 4-way multi-channel with 5-in-1 compatibility
- Brightness dimmer
- 60sec switch off delay
- Sensitive touch and scratch resistant
- 2.4G wireless connectivity
- 30m distance control
- Battery operated (2x AAA)
- Compatible with 24V COB608-WW/CW strip lights

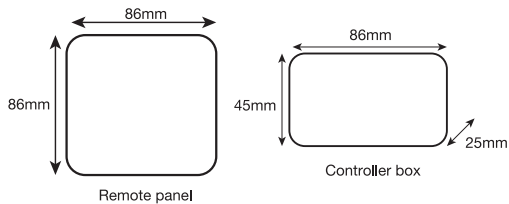


Technical and mounting details

Colour Tuneable Remote Panel



Dimensions



Compatible with (by transformer):

24V COB608 Tuneable: Max run 18m 60W, 28m 90W or 38m 120W when shared across four channels and controller boxes

Item number	Description
-------------	-------------

612.8S07.100.002	Remote panel
612.8S07.101.002	Controller box

Scan to view documentation and resources:



For more information, see the Complete Lighting Catalogue

LED Sensors & Panels

Dimmer Panel

Wall mount or use as a hand-held device to control the intensity of single-colour strip lights and downlights

- Plug & Play installation
- 4-way multi-channel with 5-in-1 compatibility
- Brightness dimmer
- 60sec switch off delay
- Sensitive touch and scratch resistant
- 2.4G wireless connectivity
- 30m distance control
- Battery operated (2x AAA)
- Compatible with all single colour 12V and 24V strip lights and downlights



Technical and mounting details

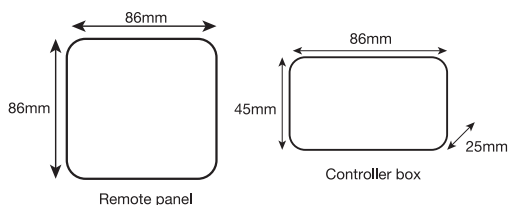
Item number	Description
-------------	-------------

Dimmer Remote Panel

612.8S07.100.001	Remote panel
612.8S07.101.001	Controller box



Dimensions



Compatible with (by transformer):

24V COB 528 8mm: Max run 22m 60W, 34m 90W or 46m 120W*

12V COB 528 8mm: Max run 9m 25W, 22m 60W or 34m 90W*

* Requires additional transformers and controller boxes to reach max run indicated.

If using the strip light in conjunction with a sensor or controller refer to capacity guide in the Complete Lighting Catalogue

Scan to view documentation and resources:



LED Transformers

24V Transformers

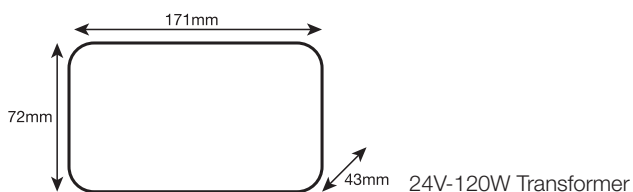
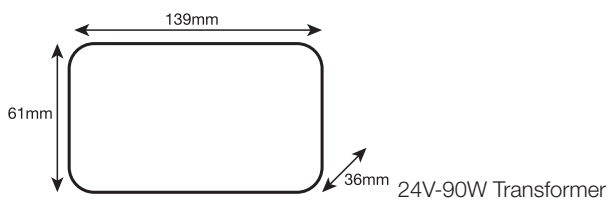
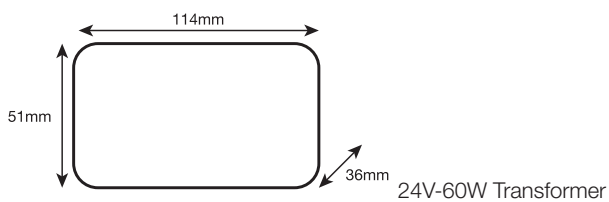
Power your lighting safely and efficiently.
Compatible with 24V lighting products

- Plug & Play installation
- 1.5m input power cord
- Short-circuit, overload, over-voltage, over-heat protections



Technical and mounting details

24V Transformer



**If using the strip light in conjunction with a sensor or controller refer to capacity guide in the Complete Lighting Catalogue*

Item number	Output Watts Max	Description
TF-60-24K	60 Watts	Transformer with 6-way junction box
TF-90-24K	90 Watts	Transformer with 6-way junction box
TF-120-24K	120 Watts	Transformer with 6-way junction box

AC Input Voltage 60/90W	110-240VAC 50-60Hz, 1.4A Max
AC Input Voltage 120W	86VAC~264VAC/ 47Hz~63Hz/ 0.5A Max
DC Output 60/90W	24V DC 2.50A Constant Voltage
DC Output 120W	24V DC/ 5A

Scan to view documentation and resources:



For more information, see the Complete Lighting Catalogue

LED Transformers

12V Transformers

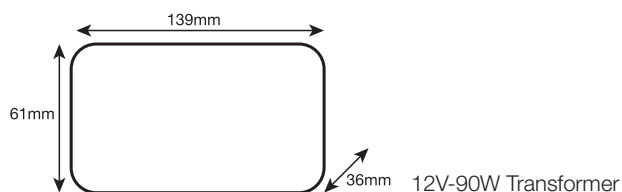
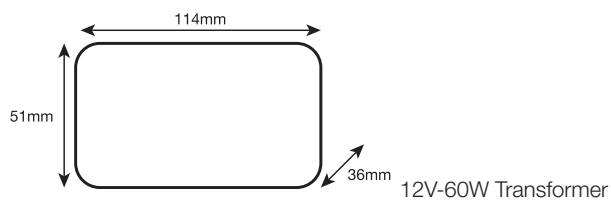
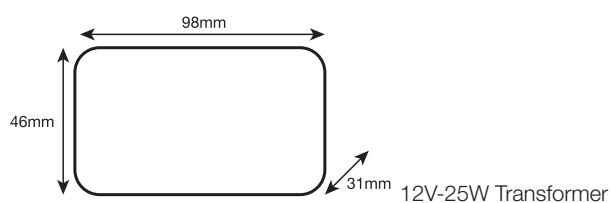
Power your lighting safely and efficiently.
Compatible with 12V lighting products

- Plug & Play installation
- 1.5m input power cord
- Short-circuit, overload, over-voltage, over-heat protections



Technical and mounting details

12V Transformer



**If using the strip light in conjunction with a sensor or controller refer to capacity guide in the Complete Lighting Catalogue*

Item number	Output Watts Max	Description
TF-25-12K	25 Watts	Transformer with 6-way junction box
TF-60-12K	60 Watts	Transformer with 6-way junction box
TF-90-12K	90 Watts	Transformer with 6-way junction box

AC Input Voltage 25W	100-240VAC 50-60Hz, 1.0A Max
AC Input Voltage 60W	100-240VAC 50-60Hz, 1.5A Max
AC Input Voltage 60W	100-240VAC 50-60Hz, 1.3A Max
DC Output 25W	12V DC 2.08A Constant Voltage
DC Output 60W	12V DC 5.0A Constant Voltage
DC Output 90W	12V DC 6.67A Constant Voltage

Scan to view documentation and resources:



Why Your Diffuser Matters



Clear Diffuser

- Maximum brightness
- Visible diodes
- Transparent

Opaque Diffuser

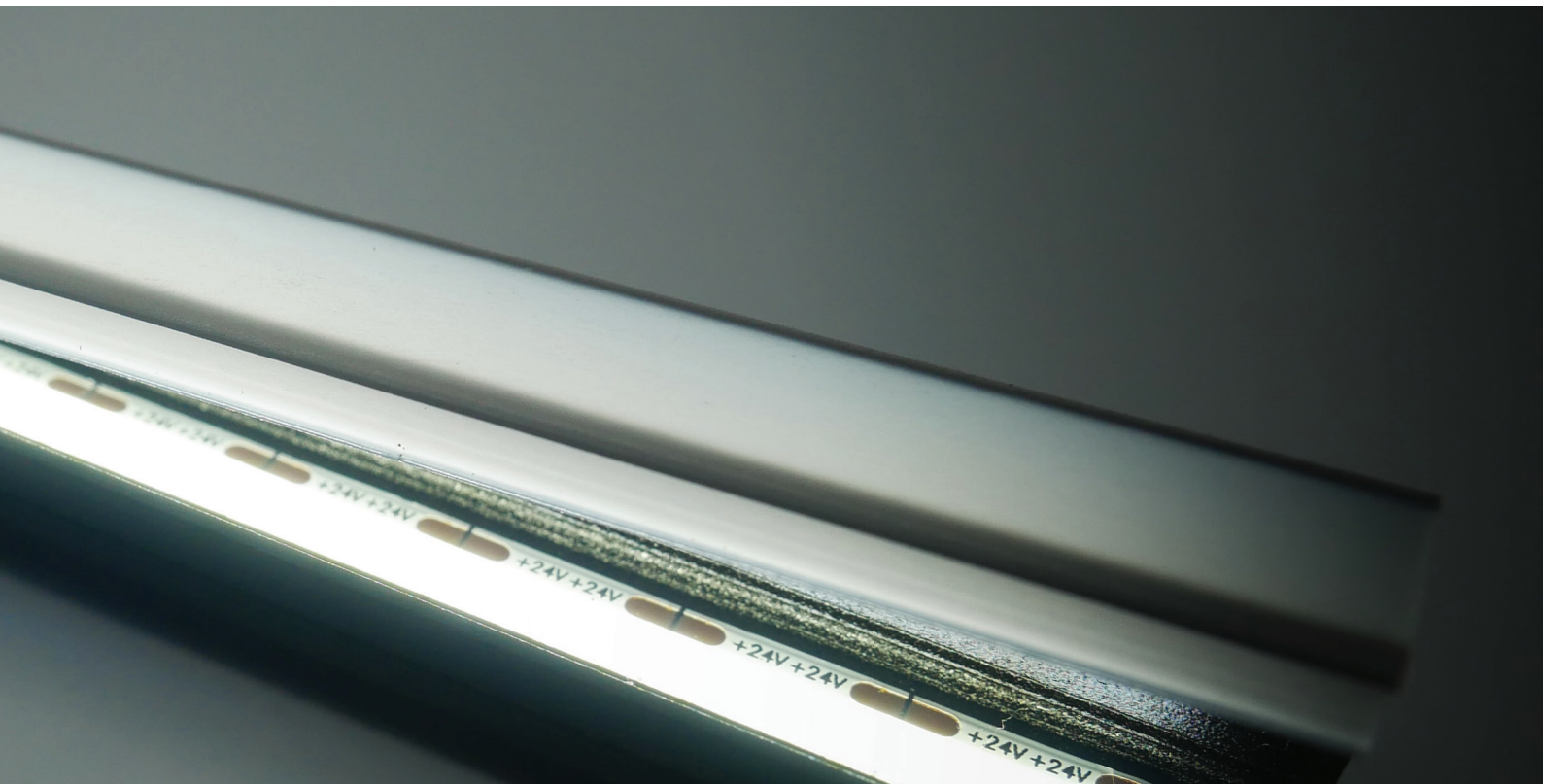
- Gentle glow
- Uniform light distribution
- Non-dotted with certain strip light options

Tinted Diffuser

- Opaque black tint
- Best suited for darker kitchens and aesthetics

*Clear and tinted diffusers not available in NZ.

For more information, see the Complete Lighting Catalogue



Longevity

- When used with an LED profile, diffusers help to extend the longevity of your LED diodes

Ambience

- Choosing the right diffuser for your needs can drastically alter the look and feel of your space

Safety

- When used with an LED Profile, diffusers work to protect your LED diodes from dust and ingress, as well as assist with heat dissipation



SCAN TO VIEW PRICING AND STOCK:



LED LIGHTING RANGE

Titus Tekform Australia

www.titustekform.com.au

info@titustekform.com.au

1300-0-TITUS

Stefano Orlati New Zealand

www.stefano-orlati.com

stefano-orlati@titusplus.com

Connect with us

Titus

Tekform Titus+

Stefano Orlati Titus+

Aura

Premium product range

