

Ambos Wardrobe Lifts



Ambos Clothing Racks & Hangers



Ambos Accessory Racks & Hangers –
Ties, Shoes, Boots



Ambos Accessory Racks & Hangers –
Ties, Shoes, Boots



Ambos Shelf Brackets & Rods



Tanova Wardrobe Drawers



Wardrobe Storage

Ambos Wardrobe Lifts.....	6.3-6.6
Ambos Clothing Racks & Hangers.....	6.7-6.11
Ambos Accessory Racks & Hangers – Ties, Shoes, Boots.....	6.12-6.13
Ambos Shelf Brackets & Rods.....	6.14
Wardrobe Rails & Ends.....	6.15
Euro Orvel Cabinet Brackets & Rails.....	6.16
Tanova Wardrobe Drawers.....	6.17-6.18

Wardrobe Storage

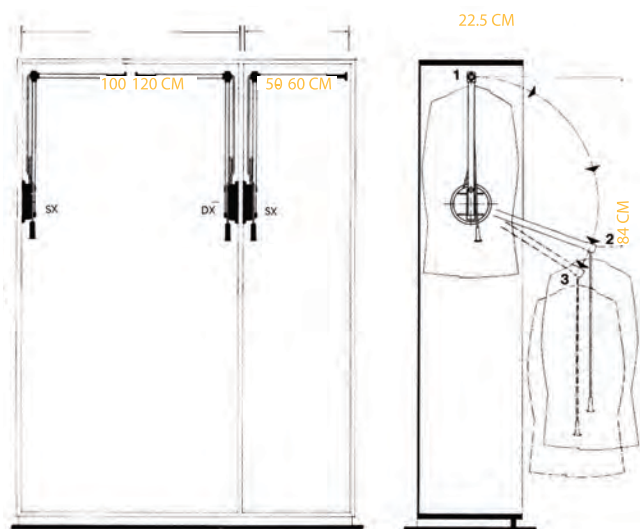
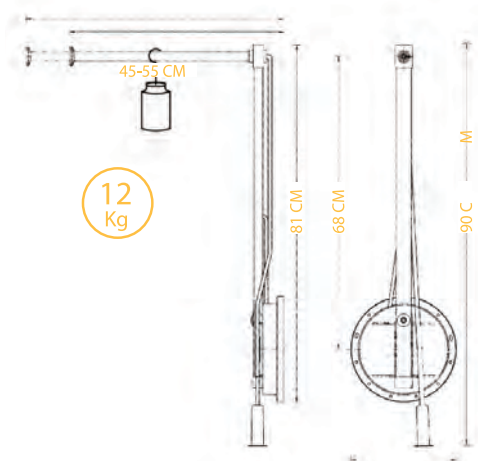


Left & Right Wardrobe Lifts

- 12kg load capacity on single arm
- Ideal for single door wardrobes and compartments up to 60cm wide
- Arm locks in loading position
- Adjustable telescopic tube
- Pneumatic pump
- When use Left and Right unit together in 2 door wardrobe, can operate left and right sides individually

12kg Wardrobe Lift

Item Code	Description	Colour	Sales Unit
WSS101	12kg Wardrobe Lift, Right	Aluminium	Ea
WSS102	12kg Wardrobe Lift, Left	Aluminium	Ea
WSS103	Spacer for WSS101 and WSS102	Aluminium	Ea



Spacer



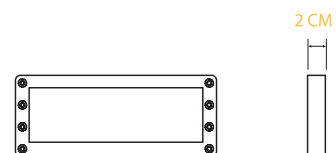
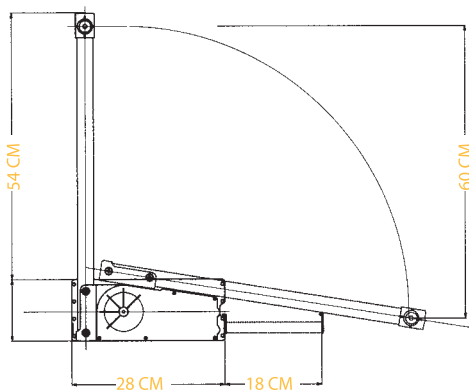
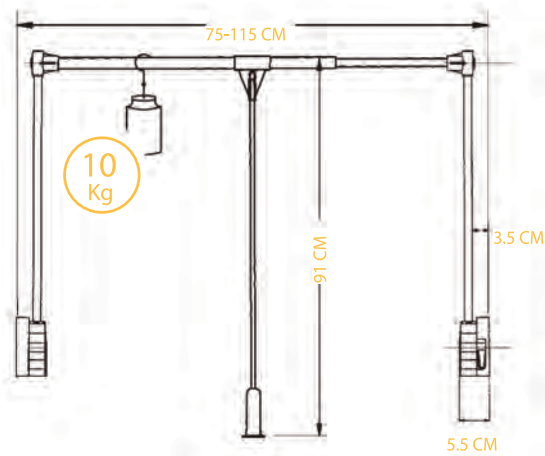
Adjustable Telescopic Tube

LIFT 500 Pull Out Wardrobe Rail

- 10kg load capacity
- Pull out coat hanger rest
- Adjustable width 750-1150mm
- Easily and fully fastens to "System 32" hole

Pull Out Wardrobe Rail – 10kg Load Capacity

Item Code	Description	Colour	Sales Unit
WSS501	Pull Out Wardrobe Rail	Aluminium	Ea
WSS502	Spacer for WSS501	Aluminium	Ea



Wardrobe Storage



LIFT 700 Pull Out Wardrobe Rail

- 15kg load capacity
- Fittings shaped to fit around hinges
- Adjustable width 750-1150mm
- Easily and fully fastens to "System 32" hole

Pull Out Wardrobe Rail – 15kg Load Capacity

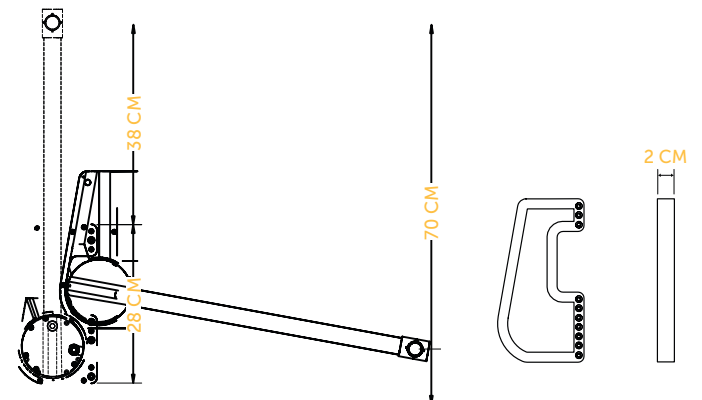
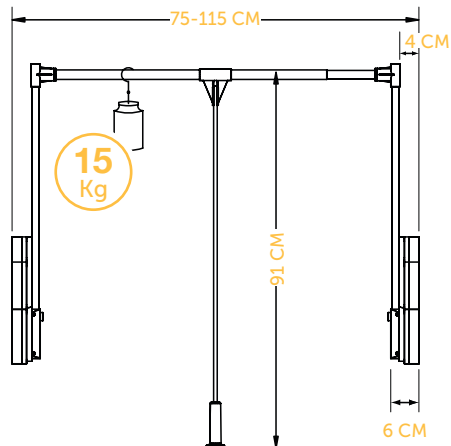
Item Code	Description	Colour	Sales Unit
WSS701	Pull Out Wardrobe Rail	Aluminium	Ea
WSS702	Spacer for WSS701	Aluminium	Ea



Shaped to fit around hinges



Spacer



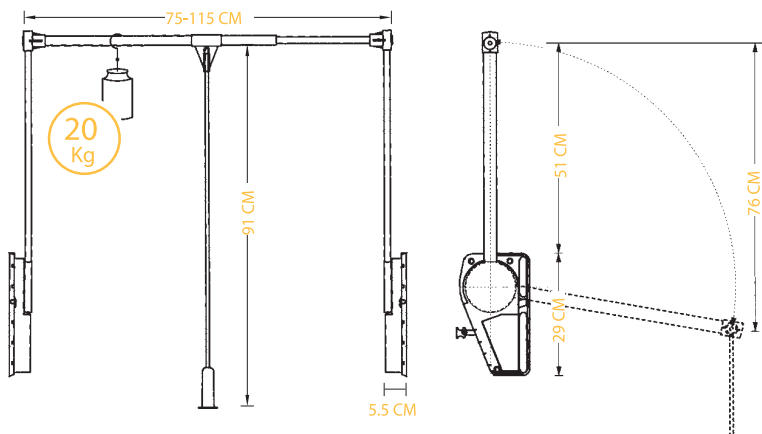
Super Lift Wardrobe Rail

- 14-20kg load capacity
- Vertically adjustable arm
- Steel mechanism
- Completely covered; no visible screws
- Can be wall mounted
- Can install multiple units in series
- Adjustable width 750-1150mm
- Easily and fully fastens to "System 32" hole



Pull Out Wardrobe Rail – 14-20kg Load Capacity

Item Code	Description	Colour	Sales Unit
WSS151	Superlift Wardrobe Rail	Aluminium	Ea
WSS152	Spacer for WSS151	Aluminium	Ea
WSS153	Wall bracket for WSS151	Aluminium	Ea



Vertical Adjustment



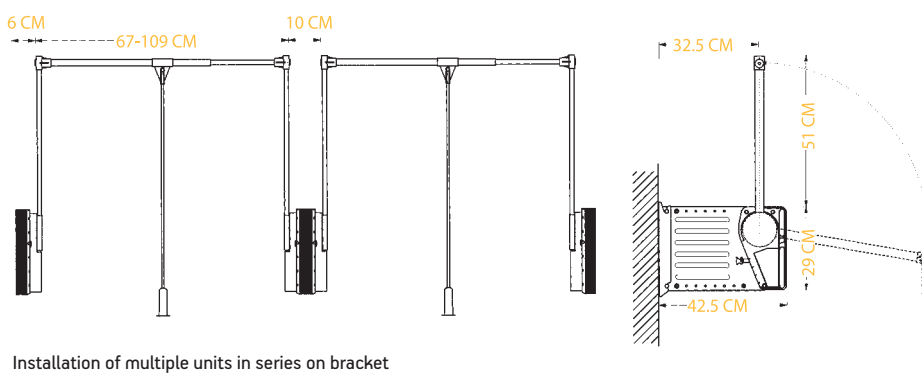
Load Capacity Adjustment



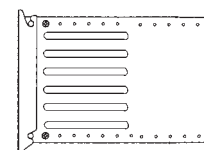
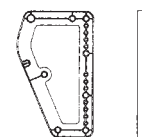
Spacer



Wall Bracket



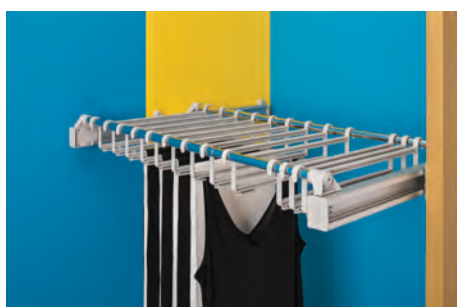
Installation of multiple units in series on bracket



Wardrobe Storage



Steel Supports



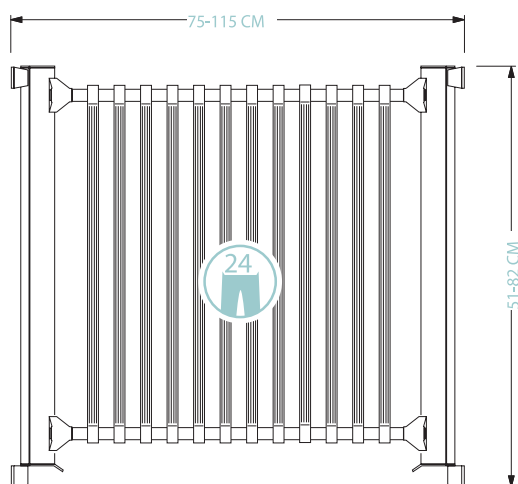
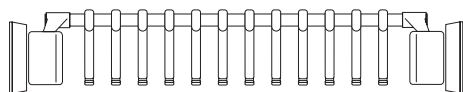
Plastic Supports

Adjustable Width Trousler Rack

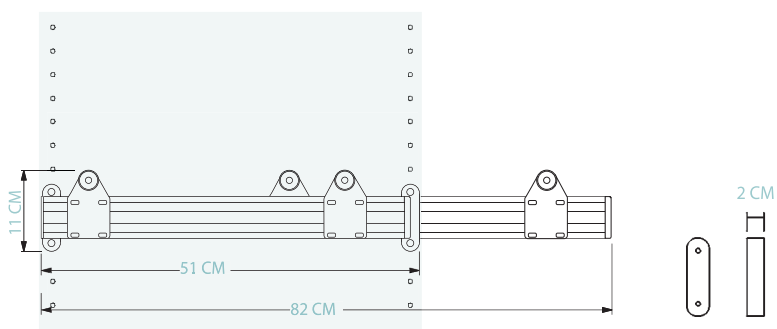
- 12 loop supports holds 24 pairs of trousers
- Moveable and sliding frame
- Partially extractable on aluminium ball bearing runners
- Adjustable width 750-1150mm

Adjustable Width Trousler Rack

Item Code	Description	Colour	Sales Unit
WSS205	Adjustable Width Trousler Rack, Steel Supports	Aluminium	Ea
WSS206	Adjustable Width Trousler Rack, Plastic Supports	Aluminium	Ea
WSS207	Spacer for WSS205 and WSS206	Aluminium	Ea



Adjustable Width Trousler Rack



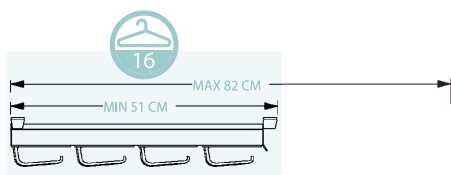
Spacer

Pull Out Hanger Rack

- Pull out aluminium runner with ball bearings
- Mounts under wardrobe shelves
- Particularly suited to deep, narrow spaces
- Fibreglass-reinforced nylon clips

Side Mounted Wardrobe Fittings

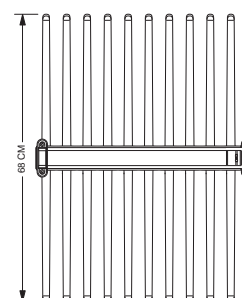
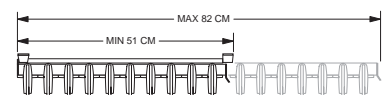
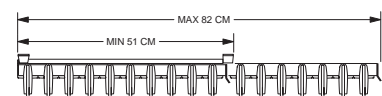
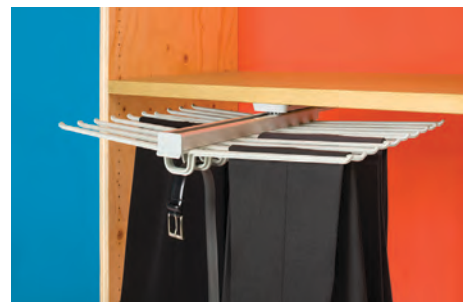
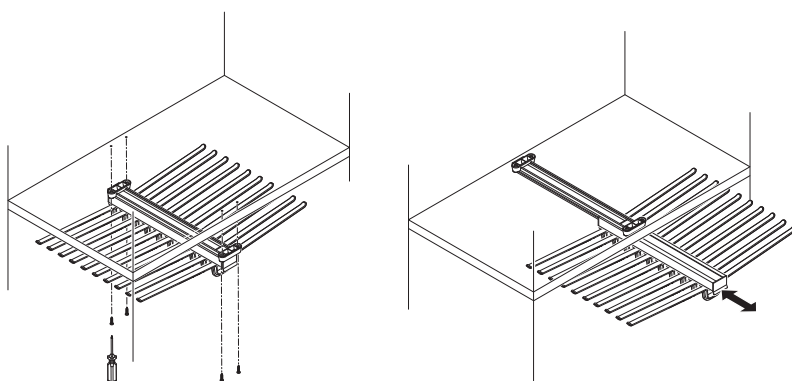
Item Code	Description	Colour	Sales Unit
WSS208	Pull Out Hanger Rack, Top Mount	Aluminium	Ea



Pull Out Trouser Hanger

- Hanger system combined with pull out unit
- Practical option for managing 20 pairs of trousers
- Especially suited to narrow and deep spaces
- Can be installed under shelves
- Loops to store belts, ties, scarves

Item Code	Description	Colour	Sales Unit
WSS810	Pull Out Trouser Hanger	Aluminium	Ea



Wardrobe Storage



WSS801



WSS802



WSS803



Mixed Box Set Up

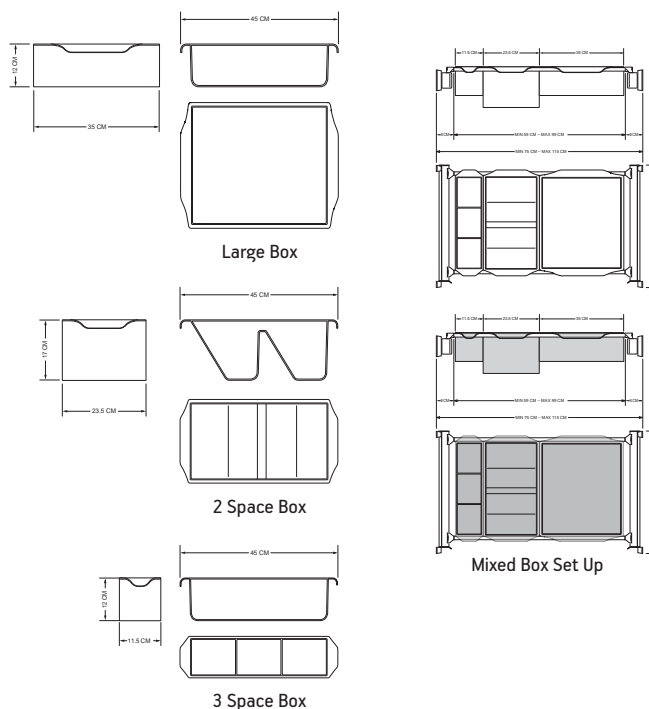


Frame, Boxes, Hangers

Pull Out Drawer System

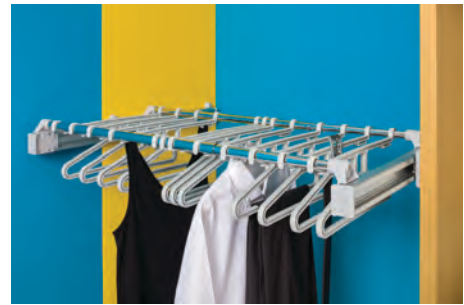
- Innovative multi-purpose system
- Mounted on a pull-out
- Tough transparent polycarbonate boxes for easy identification of contents
- Hangers available separately to fit the frame
- Stack in wardrobe
- Mount under rails and above floor to use otherwise 'dead' space
- **WSS802** – 2 space boxes can hold two pairs of shoes, but also socks and underwear or other items, in a composition that is entirely up to you
- **WSS803** – accessory unit divided in 3; ideal for belts, ties, watches, jewellery, socks, underwear
- Order as complete kit or order frame only and the boxes you require
- Adjustable width from 750-1150mm, including supports

Item Code	Description	Colour	Sales Unit
WSS801	Drawer Kit – 2 Boxes	Aluminium/Polycarbonate	Ea
WSS802	Drawer Kit – 3 x 2-Space Boxes	Aluminium/Polycarbonate	Ea
WSS803	Drawer Kit – 6 x 3-Space Small Item Storage Boxes	Aluminium/Polycarbonate	Ea
WSS806	Pull Out Drawer/Box System – Frame Only	Aluminium/Polycarbonate	Ea
WSS807	Large Polypropylene Box	Aluminium/Polycarbonate	Ea
WSS808	2 Space Polypropylene Box	Aluminium/Polycarbonate	Ea
WSS809	3 Space Polypropylene Box	Aluminium/Polycarbonate	Ea
WSS805	Hanger		Ea
WSS207	Spacer for Pull Out Drawer System (order if required, not part of kit)		Ea

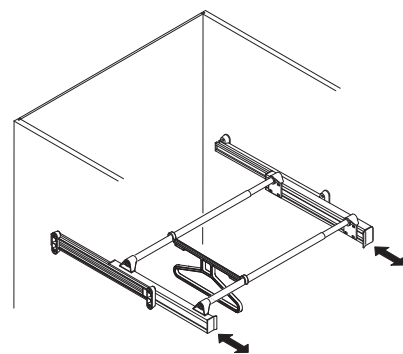
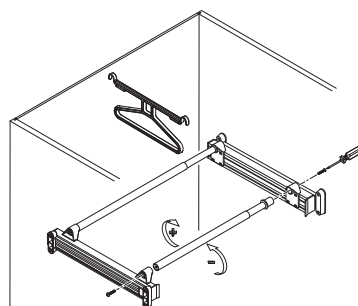
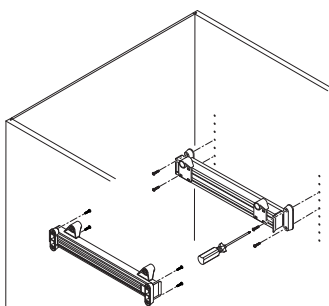
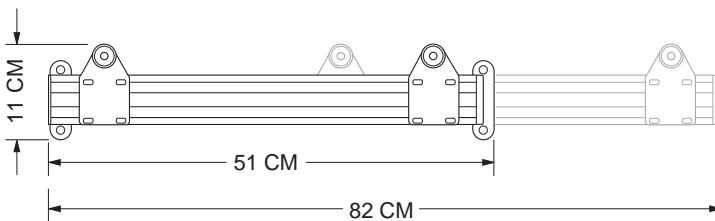
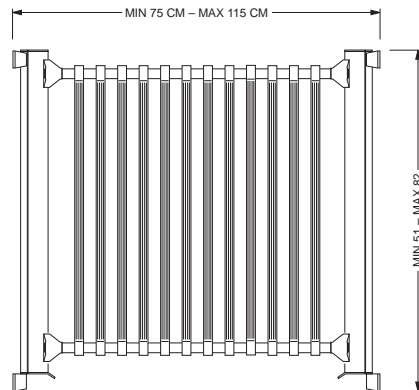
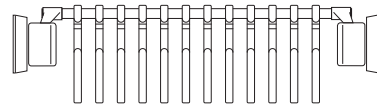
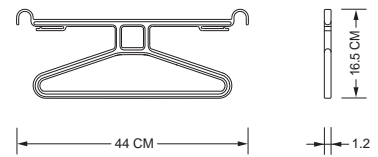


Pull Out Hanger System

- Hanger system combined with pull out unit
- Practical option for managing a mix of jackets, shirts, dresses and trousers and skirts
- Especially suited to narrow and deep spaces
- Can be installed under shelves
- Can be combined with the polycarbonate drawer system
- Can also store belts, ties, scarves
- Adjustable width from 750-1150mm, including supports



Item Code	Description	Colour	Sales Unit
WSS804	Pull Out Hanger System (Frame only, hangers not included)	Aluminium	Ea
WSS805	Hanger (Order separately)		Ea



Wardrobe Storage



Jacket Rack



Trouser Rack



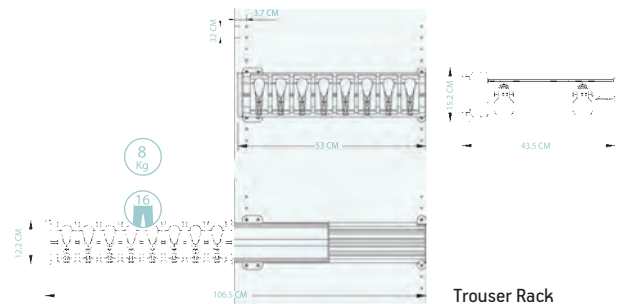
Double Drawer

Side Mounted Wardrobe Fittings

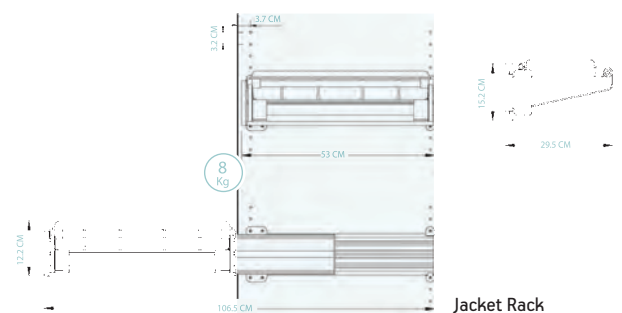
- Mounted on side (left or right) so unaffected by wardrobe width
- High load capacity:
 - Trouser Rack – 16 pairs / 8kg
 - Jacket Rack – 8kg
- Removable supports
- Totally extractable
- Maximum use of space
- Easily and fully fastens to “System 32” hole
- Jacket Rack fitted with drawer, ideal for wallet, keys, etc

Side Mounted Wardrobe Fittings

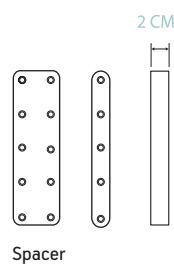
Item Code	Description	Colour	Sales Unit
WSS201	Side Mounted Trouser/Skirt Rack, 16 items	Aluminium	Ea
WSS202	Side Mounted Jacket Rack	Aluminium	Ea
WSS203	Side Mounted Double Drawer	Aluminium	Ea
WSS204	Spacer for WSS201, WSS202, WSS203	Aluminium	Ea



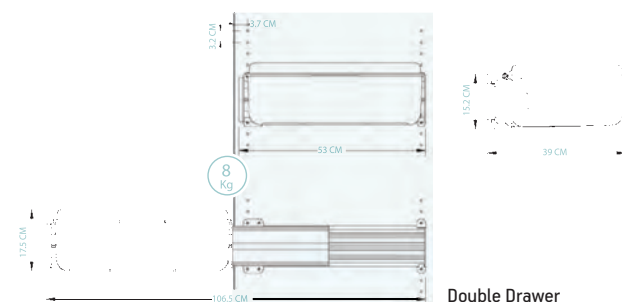
Trouser Rack



Jacket Rack



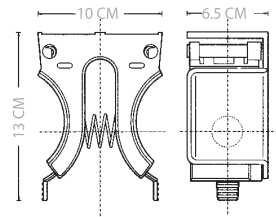
Spacer



Double Drawer

Boot Hanger

- Mount on wall or under shelf
- Holds all types of boots
- Boots hang and therefore retain shape and do not crack
- Fibreglass-reinforced nylon clips



Boot Hanger

Boot Hanger

Item Code	Description	Colour	Sales Unit
WSS214	Boot Hanger, holds 1 pair of boots	Aluminium	Ea

Tie Hangers

Fixed Tie Hanger

- Silver anodised aluminium
- Fix inside wardrobe, on doors or on wall
- Fibreglass-reinforced nylon clips
- Also suits belts and scarves



Fixed Tie Hanger

Pull Out Tie Hanger

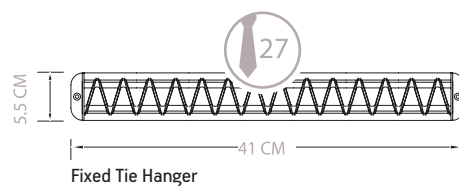
- Aluminium ball bearing runner
- Also suits belts and scarves
- Small tray ideal for emptying pockets of change, keys etc
- Fibreglass-reinforced nylon clips
- Easily and fully fastens to "System 32" hole



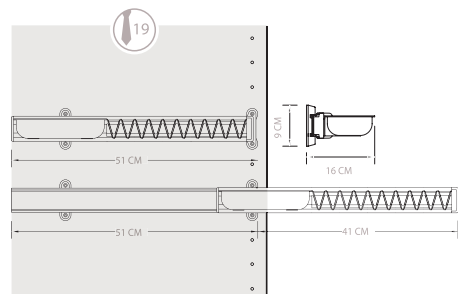
Pull Out Tie Hanger

Tie Hangers

Item Code	Description	Colour	Sales Unit
WSS215	Fixed Tie Hanger, holds 27 ties	Aluminium	Ea
WSS216	Pull Out Tie Hanger, holds 18 ties	Aluminium	Ea

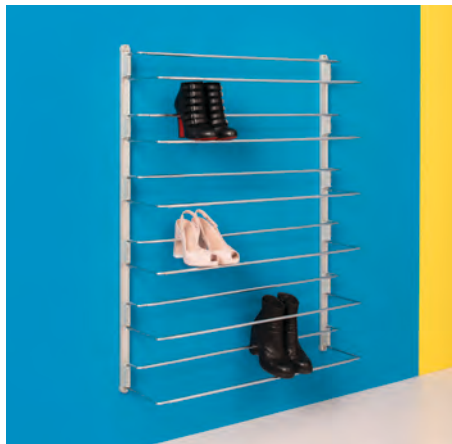


Fixed Tie Hanger



Pull Out Tie Hanger

Wardrobe Storage



Shoe Racks

- Chromed steel frame
- Available to mount with side or front access
- Side access ideal for small wardrobes and corners
- Fix to wall or inside wardrobes/cupboards/cloakrooms
- Optional aluminium guide allows for hanging 6 shoe hangers with only 4 screws
- Height adjustable
- Easily and fully fastens to "System 32" hole



Side Mount Shoe Rack

Side Mount Shoe Racks

Item Code	Description	Colour	Sales Unit
WSS211	Side Shoe Rack, 480-830mm	Aluminium	Ea
WSS212	Side Shoe Rack, 830-1130mm	Aluminium	Ea
WSS213	Guides for WSS209, WSS210, WSS211, WSS212	Aluminium	Pair



Front Mount Shoe Rack

Front Mount Shoe Racks

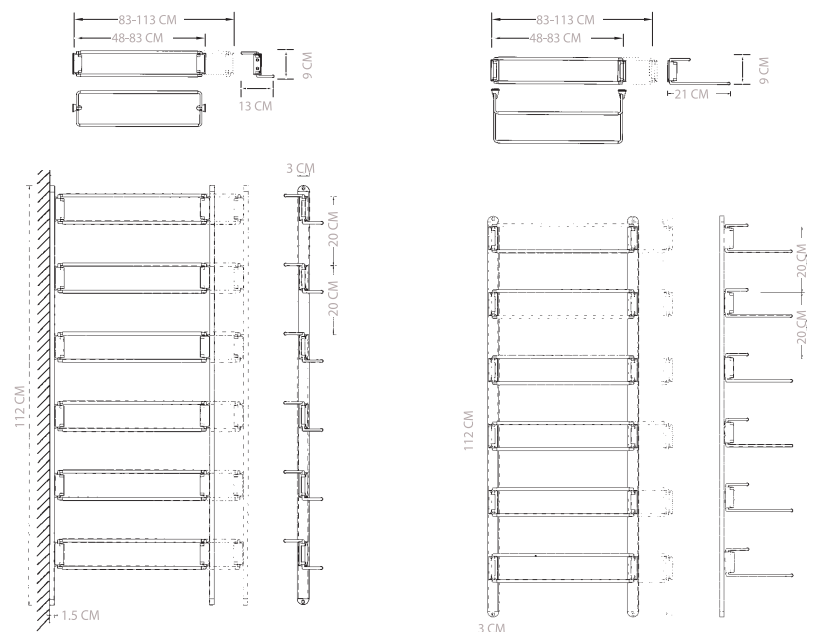
Item Code	Description	Colour	Sales Unit
WSS209	Front Shoe Rack, 480-830mm	Aluminium	Ea
WSS210	Front Shoe Rack, 830-1130mm	Aluminium	Ea
WSS213	Guides for WSS209, WSS210, WSS211, WSS212	Aluminium	Pair



Side Mount



Front Mount



Side Application on Guide

Front Application on Guide

Brackets & Rods

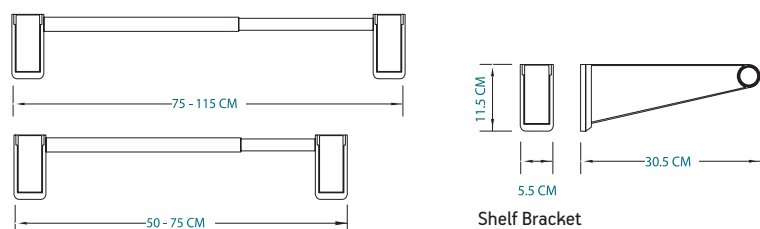
Shelf Bracket

- Bracket pair for supporting shelves in wardrobes/on walls
- Mount in sequence or overlapping
- Fibreglass-reinforced nylon
- Easily and fully fastens to "System 32" hole

Rod Holder Set

- Includes telescopic tube
- Bracket pair to support telescopic clothing rod
- For use inside wardrobe or on wall
- Mount in sequence or overlapping
- Fibreglass-reinforced nylon
- Available in 2 lengths
- Easily and fully fastens to "System 32" hole

Item Code	Description	Colour	Sales Unit
WSS217	Shelf Bracket	Aluminium	Pair
WSS218	Rod Holder Set 750-1150mm	Aluminium	Set
WSS219	Rod Holder Set 500-750mm	Aluminium	Set



Rod Holder

Shelf Bracket



Shelf Bracket



Rod Holder Set

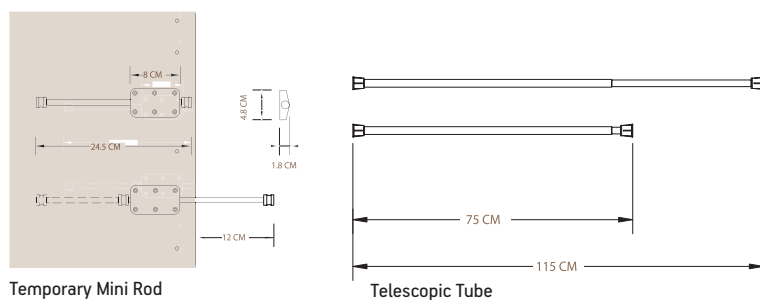


Telescopic Tube

Tubes

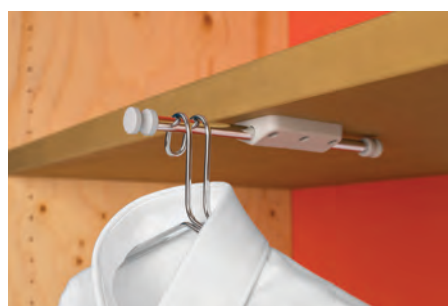
- **Temporary Mini Rod** – fasten under shelves/on walls for convenient temporary hanging. Chrome steel tube, fibreglass-reinforced nylon.
- **Telescopic Tube** – telescopic tube hanging rail in chromed steel. Adjustable width 750-1150mm. Fixed plastic supports.

Item Code	Description	Colour	Sales Unit
WSS220	Telescopic Tube	Aluminium	Ea
WSS221	Temporary Mini Rod	Aluminium	Ea



Temporary Mini Rod

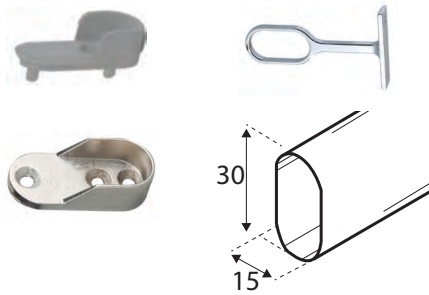
Telescopic Tube



Temporary Mini Rod

Wardrobe Storage

Wardrobe Rail & Ends



Item Code	Description	Sales Unit
OTBR1	Screw-on Wardrobe Tube End Support	Ea
OTBR2	Dowelled Oval Wardrobe Tube End Support	Ea
OTCBR	Oval Tube Centre Support*	Ea
ALIOT	Oval Aluminium Wardrobe Tube 4m	Length
ALIOT-3	Oval Aluminium Wardrobe Tube 3m	Length
ALIOT.ST	Oval Steel Wardrobe Tube 3.6m, 1.0mm Thick	Length

*We recommend using 1xOTCBR per every 1200mm span of tube, in addition to end or wall attachment



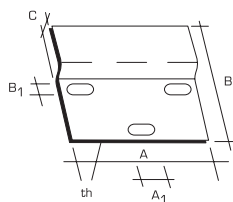
CHB010



CHB011

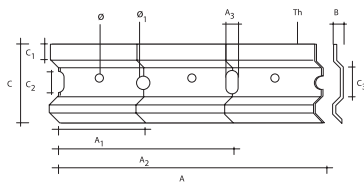
Euro Orvel Cabinet Brackets & Rails

Item Code	Description	Sales Unit
CHB010	58mm Galvanised Cabinet Bracket	Ea
CHB011	2m Galvanised Cabinet Rail	Ea



Cabinet Bracket CHB010

A	A ₁	B	B ₁	C	th
58	12	49	6	6	1.8



Cabinet Rail CHB011

A	A ₁	A ₂	A ₃	B	C	C1	C2	C3	Ø	Ø ₁	th
2000	50	100	10	3.5	39.5	7	13	17.5	5.5	10	4

Euro Orvel Adjustable Hanging Brackets for Cabinets

Item Code	Description	Sales Unit
CHB007	Adjustable Left and Right Hanging Brackets Screw Fastening with Hook for Fixing Rod Horizontal adjust 31 mm; Vertical adjust 15mm	Set
CHB008	Front Mounting Adjustable Hanging Brackets, Plastic Cover Screw Fastening Position 20-23, diam 4mm Horizontal adjust 25mm; Vertical adjust 12mm	Set
CHB009	Front Mounting Adjustable Hanging Brackets, Plastic Cover Slanted vertical screw for better adjustment	Set



CHB007




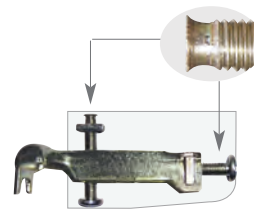
CHB008



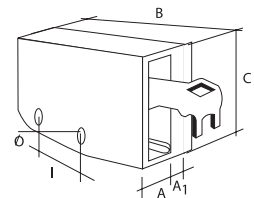
CHB009




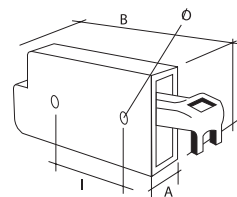
	A	A ₁	B	C	I	Ø	
CHB007	11	10	61	38	24	4	500pz



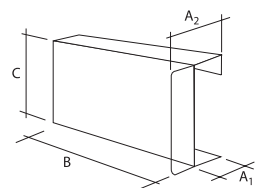
CHB007




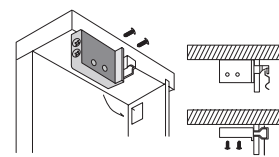
	A	B	B ₁	C	C ₁	I	Ø	
CHB008	21	66	22	48	41	32	4	300pz



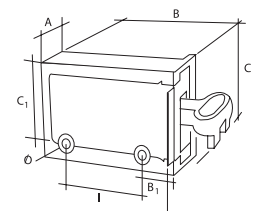
CHB008



	A	B	C	I	Ø	
	15.5	66	42	32	4	500pz
	A ₁	A ₂	B	C		
CHB009	18	30	68.5	44		



CHB009



Wardrobe Drawer Systems



Ventilated Drawers

- Funky modern look
- Ventilated sides for airflow to prevent sweating and musty aromas
- Designed for installation behind doors or as feature in open fronted unit
- 390mm deep models especially designed to suit wardrobe depths
- 2 cabinet widths, 3 drawer heights
- Mounted on quality King Slide soft close ball bearing drawer runners
- 25kg load capacity for 350mm runner (390mm deep cabinet)
- 1.0mm gauge electrogalvanised steel
- Powder coated in off white on launch
- Talk to us about pricing on custom colour from the Dulux range



TVD45.50.293



TVD45.50.229



TVD45.50.165



TVD60.50.293



TVD60.50.229



TVD60.50.165

Item Code	Product Description	Min internal dimensions			Sales Unit
		W	H	D	
450mm Cabinets					
TVD45.40.293	450mm Cabinet	417	293	390	Ea
TVD45.40.229	450mm Cabinet	417	229	390	Ea
TVD45.40.165	450mm Cabinet	417	165	390	Ea
600mm Cabinets					
TVD60.40.293	600mm Cabinet	567	293	390	Ea
TVD60.40.229	600mm Cabinet	567	229	390	Ea
TVD60.40.165	600mm Cabinet	567	165	390	Ea

TALK TO US ABOUT PRICING ON CUSTOM COLOUR FROM THE DULUX RANGE

