



Scilm Toekicks



Scilm Toekicks



Scilm Bench Edging Profiles



Scilm Door Profiles



Scilm T Edging

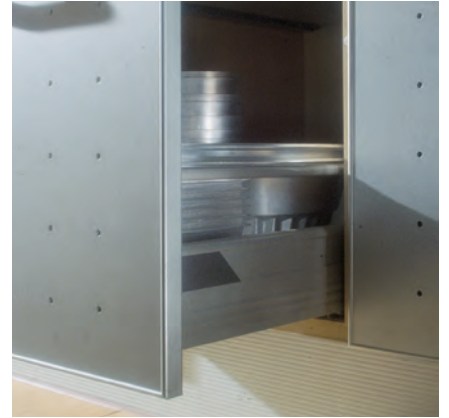


Scilm Benchtop Splashback Upstand

Extrusions & Profiles

Scilm Toekicks.....	10.3-10.5
Scilm Bench Edging Profiles.....	10.6
Scilm Door Profiles & Fitting.....	10.7-10.8
Scilm T Edging.....	10.9-10.10

Extrusions & Profiles



Brushed Aluminium Toekick

- PVC Plinth is finished in fireproof thermoplastic material with flexible sealing lips
- Foil covering

Brushed Aluminium Toekick Facing

Item Code	Height	Length	Multi Buy Qty	Sales Unit
20211TK	120	4000	10	Ea
20229TK	150	4000	9	Ea



Brushed Stainless Toekick

- PVC Plinth is finished in fireproof thermoplastic material with flexible sealing lips
- Foil covering

Brushed Stainless Steel Toekick Facing

Item Code	Height	Length	Multi Buy Qty	Sales Unit
212120TK	120	4000	10	Ea
212150TK	150	4000	9	Ea



Mirror Finish Toekick

- PVC Plinth is finished in fireproof thermoplastic material with flexible sealing lips
- Mirror finish foil covering

Mirror Finish Toekick Facing

Item Code	Height	Length	Multi Buy Qty	Sales Unit
STK105	120	4000	10	Ea
STK106	150	4000	9	Ea

Paintable Toekick

- Made from white PVC
- 150mm high
- Supplied in 4000mm lengths which may be trimmed to your required length
- Allows customisation to match with, or contrast with, your client's kitchen colour

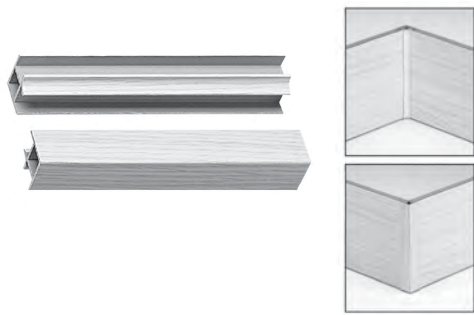
Paintable Toekick Facing

Item Code	Height	Length	Sales Unit
STK109	150	4000	Ea



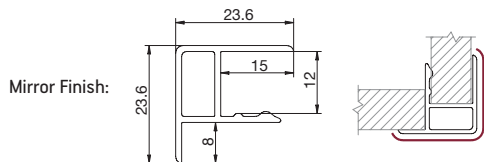
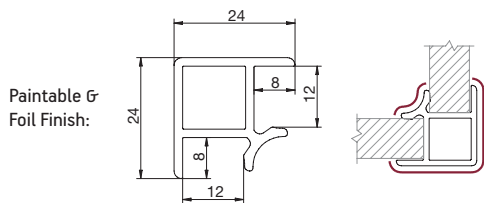
For Scilm Toekick Patented Cabinet Support Leg and Plinth Clip, please go to Hardware, Tools & Workshop section pages 9.9-9.10

Extrusions & Profiles

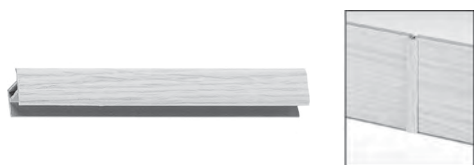


Toekick 90° Corner Joint

Cut to suit plinth height. 900(DG) Corners - universal so can be used for internal or external corners joints and can be trimmed to suit the exact height you need

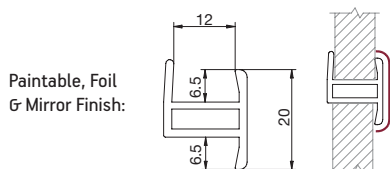


Item Code	Height	Finish	Sales Unit
20476TK	120	Brushed Aluminium	Ea
20484TK	150	Brushed Aluminium	Ea
212120TKJ	120	Brushed Stainless Steel	Ea
212150TKJ	150	Brushed Stainless Steel	Ea
STK103	120	Mirror Finish	Ea
STK104	150	Mirror Finish	Ea
STK110	150	Paintable White	Ea



Toekick Straight Joint

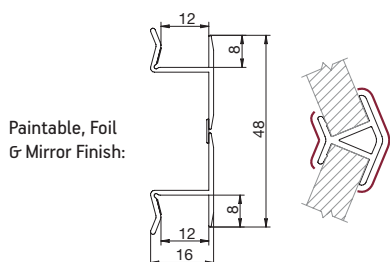
Cut to suit plinth height. Straight connectors enable you to cover longer lengths and reuse off-cuts, can be trimmed to desired height.



Item Code	Height	Finish	Sales Unit
20666TK	120	Brushed Aluminium	Ea
22852TK	150	Brushed Aluminium	Ea
212120.180	120	Brushed Stainless Steel	Ea
212150.180	150	Brushed Stainless Steel	Ea
STK107	120	Mirror Finish	Ea
STK108	150	Mirror Finish	Ea
STK111	150	Paintable White	Ea



Flexi Multi Corner Connector



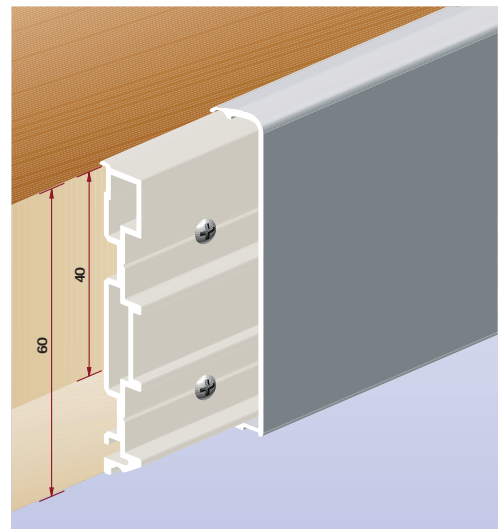
Item Code	Height	Finish	Sales Unit
21650TK	150	Brushed Aluminium	Ea
212150.270	150	Brushed Stainless Steel	Ea
STK101	120	Mirror Finish	Ea
STK102	150	Mirror Finish	Ea
STK112	150	Paintable White	Ea

Bench Front Profiles 62mm

If used in a silicone strip, bench front profiles assure a perfect sealing of the worktop. Bench front accessories are created from a single aluminium piece, therefore the join between the profile and junction is almost invisible. Ideally suited to kitchens and office furniture and any commercial kitchen/workshop application.

Front Profile R960AFOR – 62mm

Item Code	Description	Sales Unit
11939BF	Front Profile 62mm. 3900mm length	Ea

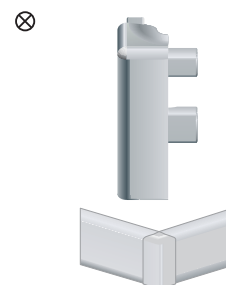
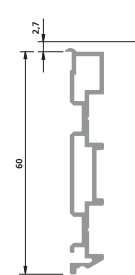
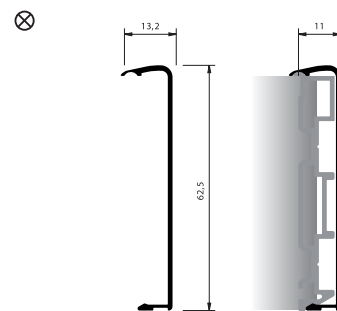


Drilled Support Profile R980

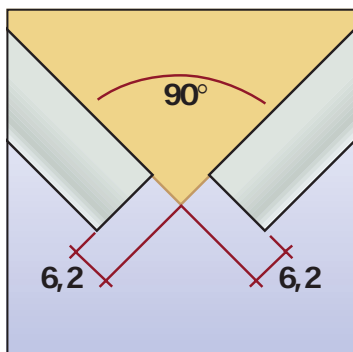
Item Code	Description	Sales Unit
21417BF	Aluminium Drilled Support. 3900mm length	Ea

External Corner Component CSA907

Item Code	Description	Sales Unit
11947BF	90° External Corner	Ea



Cutting Directions



Extrusions & Profiles

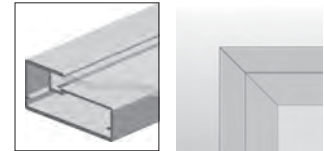
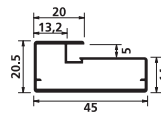


Aluminium Door Profiles

All profiles available as kitset doors with hinge holes predrilled or fully assembled using a variety of glass. All door profiles can be mounted on hinges, sprung flap stays and bifolding systems. All glazed doors are fitted with toughened glass. Handle holes need to be predrilled before glass is toughened. Specify at time of order.

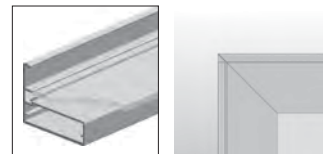
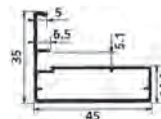
2357

Item Code	Description	Length	Sales Unit
20435DP	2357 Door Profile	3900	Ea



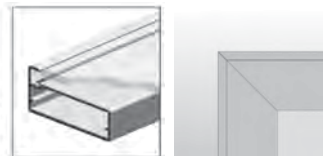
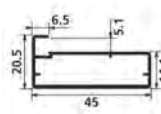
2441

Item Code	Description	Length	Sales Unit
20427DP	2441 Handle Door Profile	3900	Ea



2364

Item Code	Description	Length	Sales Unit
21169DP	2364 Door Profile	3900	Ea



Door Assembly Components

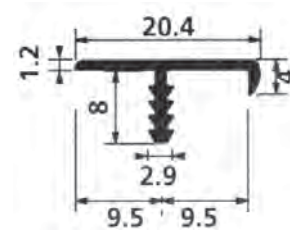
Item Code	Description	Sales Unit
21375DP	Joint Plate for 2364 Style Profile 100/box – suits 45mm profile	Ea
22571DP	Joint Plate for 2358 Style Profile 100/box – suits 19mm	Ea
SDJPS	Joint Plate Screw M4x8mm CSK – 4 required per joint plate	Ea

Extrusions & Profiles



Aluminium T-Edge 959

Ideal as a complement to aluminium framed doors. This product comes in the same Satin Silver finish and has the advantage of a 4mm face return. Easy to use and economical.



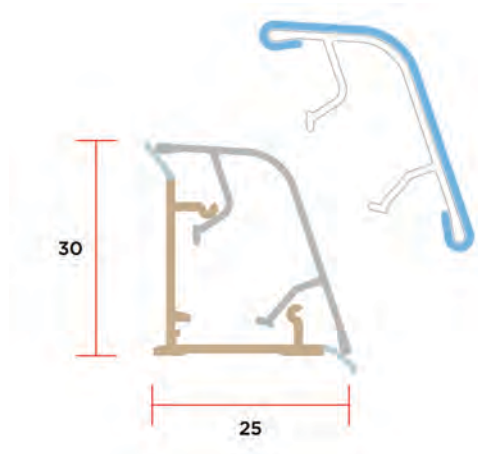
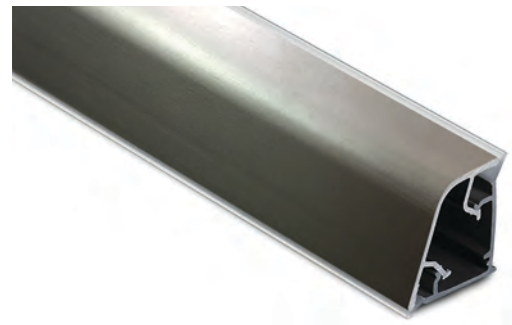
Item Code	Description	Length	Sales Unit
22258DP	Aluminium T-Edging	3900	Ea



Bench Top Splashback Uprand

- Co-extruded base profile that provides a seal to top and wall
- Smooth aluminium clip-on cover profile.

Item Code	Description	Length	Sales Unit
22510BS	Bench Upstand Profile	3900	Ea
22520BS	Bench Upstand Connectors and Caps	3900	Ea



Index

Item Code	Page
Codes Starting with 1	
1012.25.12	3.81
1012.30.01	3.81
1012.30.12	3.81
1012.35.01	3.81
1012.35.12	3.81
1012.40.01	3.81
1012.40.12	3.81
1012.45.01	3.81
1012.45.12	3.81
1012.50.01	3.81
1012.50.12	3.81
1012.55.01	3.81
1012.55.12	3.81
119.2	9.34
11939BF	10.6
11947BF	10.6
1208	9.14
1209	9.14
1210MM	9.14
1312ZC	8.21
1315ZC	8.21
1317ZC	8.21
1319ZC	8.21
1322ZC	8.21
1325ZC	8.21
1328ZC	8.21
1332ZC	8.21
1335ZC	8.21
1338ZC	8.21
1345ZC	8.21
1350ZC	8.21
1404.L	9.34
15532SG	8.24
15538SG	8.24
15545SG	8.24
15550SG	8.24
16025BG	8.23
1602AL	9.11
16030BG	8.23
16035BG	8.23
16040BG	8.23
16045BG	8.23
1604AL	9.11
16050BG	8.23
16065BG	8.23
1620BL	9.18
1625BL	9.18
1631BL	9.18
1635BR	9.11
1636WH	9.11
1637BR	9.11
1638WH	9.11
Codes Starting with 2	
20010	9.33
20121.13	8.15
20156.25	8.15
20158.16	8.15

Item Code	Page
20159.18	8.15
20211TK	10.4
20229TK	10.4
2024BL	4.3
2026BL	4.3
2027AB	4.3
2028PH	4.3
2031.30	3.79
2031.35	3.79
2031.40	3.79
2031.45	3.79
2031.50	3.79
2031.55	3.79
2031.60	3.79
20427DP	10.8
20435DP	10.8
2044BL	4.3
20476TK	10.5
20484TK	10.5
20666TK	10.5
21159.18P	8.15
211690DP	10.8
212120.180	10.5
212120TK	10.4
212120TKJ	10.5
212150.180	10.5
212150.270	10.5
212150TK	10.4
212150TKJ	10.5
21375DP	10.8
21417BF	10.6
21650TK	10.5
22258DP	10.10
22510BS	10.10
22520BS	10.10
22571DP	10.8
22735.24	8.16
22742.34	8.16
22745.34	8.16
22852TK	10.5
231024	8.16
231034	8.16
23824	8.16
23834	8.16
25020WH	8.17
25021BK	8.17
25027ZP	8.17
25028ZP	8.17
25029ZP	8.17
25030BK	8.17
25030SD	8.17
25030WH	8.17
26010	9.34
26100	9.34
2734BE	8.19
2737BE	8.19
2740BE	8.19
2743BE	8.19
2746BE	8.19

Item Code	Page
2749BE	8.19
2752BE	8.19
2755BE	8.19
2764BE	8.19
2767BE	8.19
2770BE	8.19
2773BE	8.19
2776BE	8.19
2779BE	8.19
2782BE	8.19
2785BE	8.19
2786BE	8.19
2788BE	8.19
2791BE	8.19
2792BE	8.19
2794BE	8.19
2797BE	8.19
28113BG	8.23
28115BG	8.23
28119BG	8.23
28125BG	8.23
28130BG	8.23
28135BG	8.23
28140BG	8.23
28145BG	8.23
28150BG	8.23
291.1	9.34
Codes Starting with 3	
3011.40	3.80
3011.45	3.80
3011.50	3.80
3101.5	9.31
3101.F.5	9.31
3102.5	9.31
3103.5	9.31
3104.5	9.31
3105.5	9.31
3111.5	9.31
3113.5	9.31
3182.5	9.31
Codes Starting with 4	
4020.27	3.47
4020.35	3.47
4020.40	3.47
4020.45	3.47
4020.50	3.47
4020.55	3.47
4021.27	3.47
4021.35	3.47
4021.40	3.47
4021.45	3.47
4021.50	3.47
4021.55	3.47
4320.25	3.49
4320.35	3.49
4320.40	3.49
4320.45	3.49

Item Code	Page
4320.50	3.49
4320.55	3.49
4321.35	3.49
4321.40	3.49
4321.45	3.49
4321.50	3.49
4321.55	3.49
45660	4.33
4620.35	3.51
4620.40	3.51
4620.45	3.51
4620.50	3.51
4620.55	3.51
4621.35	3.51
4621.40	3.51
4621.45	3.51
4621.50	3.51
4621.55	3.51
4920.35	3.53
4920.50	3.53
4921.35	3.53
4921.50	3.53

Codes Starting with 5

5000.27	3.63
5000.35	3.63
5000.40	3.63
5000.45	3.63
5000.50	3.63
5000.55	3.63
5003BL	9.5
5015BE	9.6
5018TE	9.6
5022SH	9.5
5030SH	9.4
5045ST	9.6
5048SH	9.4
5051TS	9.4
5054	9.4, 9.5
5144ZP	9.19
5805ZU	8.4
5806ZU	8.4
5807ZU	8.4
5808UT	8.5
5809FF	8.5
5810KD	8.6
5811KD	8.6
5812ST	8.6
5813ST	8.6
5814MM	8.9
5815MM	8.9
5816HM	8.9
5817HM	8.10
5818SU	8.8
5819RB	8.8
5820KD	8.7
5821KD	8.7
5825WH	8.11
5826BR	8.11

Item Code	Page
5827BL	8.11
5829DC	8.11
5830DC	8.11
5831HD	8.10
5832HD	8.10
5833HD	8.10
5834RD	8.10
5835AL	8.10
5836AL	8.10
5837HD	8.10
5911ZP	8.20
5912ZP	8.20
5925BP	9.19
5926ZP	9.19
5937NP	9.19
5941WT	9.19
5942BN	9.19
5943CL	9.19
5944ZP	9.19
5945AC	9.19
5946ZP	9.19
5947NP	9.19
5948BR	9.11
5949WT	9.11

Codes Starting with 6

6600BL	9.12
6601BL	9.12
6602BL	9.12
6603BL	9.12
6604BL	9.12
6605TC	9.12
6606TC	9.12
6WIPE80	9.26

Codes Starting with 7

7101DS	9.15
7102DS	9.15
7103DS	9.15
7700CH	4.55

Codes Starting with 8

80.202B	9.34
80300SG	8.24
80400SG	8.24
80600SG	8.24
80800SG	8.24
810.050	8.22
810.064	8.22
810.075	8.22
810.102	8.22
81000SG	8.24
81200SG	8.24
81400SG	8.24
81600SG	8.24
8365PB	9.14
8371AB	9.14
86.028	8.22
86.032	8.22

Item Code	Page
86.038	8.22
86.045	8.22
86.050	8.22
88.015	8.22
86.015R2	8.22
88.020	8.22
86.020R2	8.22
88.025	8.22
86.025R2	8.22
88.028	8.22
88.032	8.22
88.032.FT	8.22
88.038	8.22
88.038.FT	8.22
88.045	8.22
88.050	8.22
88.050.FT	8.22
88.064	8.22
88.076	8.22
88.P15	8.22
8820WB	9.7
8910WB	9.7

Codes Starting with 9

9010WB	9.7
90120SG	8.24
90150SG	8.24
90190SG	8.24
90220SG	8.24
90250SG	8.24
90280SG	8.24
90320SG	8.24
90350SG	8.24
90380SG	8.24
9910WB	9.7

Codes Starting with A

AB17	8.20
AB25	8.20
AB30	8.20
AB40	8.20
AB50	8.20
ACL.CL	9.8
ACL.CLIP	9.8
ACL150	9.8
ACL150.D	9.8
ACL87.130	9.8
ACL87.130D	9.8
ACL90.190	9.8
ACL90.190D	9.8
ALIOT	6.15
ALIOT.ST	6.15
ARB.1	9.40
ARB.2	9.40
ARB.3	9.40
ARB.4	9.40
ARB.5	9.40
ARB.ADP	9.40
ARBSP.1	9.40

Item Code	Page
ARBSP.2	9.40
AS03004	9.36
ASM12.50.GY	5.21
ASM12.50.WH	5.21
ASM145.20.GY	5.21
ASM145.20.WH	5.21
ASM474.20.BK	5.21
ASM474.20.GY	5.21
ASM474.20.WH	5.21
ASM524.20.BK	5.21
ASM524.20.GY	5.21
ASM524.20.WH	5.21

Codes Starting with B

B08200	1.57
B08210	1.57
B08627	1.55
B08627J	1.56
BMH	9.44
BMHP.150	9.44
BMHP.65	9.44
BP.BL	9.13
BP.WT	9.13
BP.WTSL	9.13
BTC150	8.12
BTC65	8.12

Codes Starting with C

CAB0168CR	9.17
CAB0169DG	9.17
CAB0170WH	9.17
CAB0171BL	9.17
CAB0172TW	9.17
CAB0173CH	9.17
CAB0174SC	9.17
CAB0175WH	9.17
CAB0176BL	9.17
CAB0177TW	9.17
CAB0178CH	9.17
CAB0179DG	9.17
CAB0180SC	9.17
CAB0181CR	9.17
CAP.AL13	9.13
CAP.CR13	9.13
CAP.WT13	9.13
CAP.WT14	9.13
CAP.WT17	9.13
CBO.02	9.13
CBO.04	9.13
CBO.09	9.13
CBO.09.CL	9.13
CH0687SC	9.14
CH0688BL	9.14
CH0689BP	9.14
CH0690AB	9.14
CHB007	6.16
CHB008	6.16
CHB009	6.16
CHB010	6.15

Item Code	Page
CHB011	6.15
CL10020	9.11
COMBS53	9.27
CON0258ZP	8.21
CON0260AC	8.21
CON0262AC	8.21
CON0263AC	8.21
CON0264AC	8.21
CON0265AC	8.21
CON0270ZP	8.21
CON0271ZP	8.21
CON0272ZP	8.21
CON0273ZP	8.21
CON0274ZP	8.21
CON0275ZP	8.21
CON0280AC	8.21
CON0281ZP	8.21
CRF49	3.101
CSHC	4.55
CT.KBB.WH	5.15
CT.KBP.GM	5.14
CT.KBP.MA	5.14
CT.KBP.WH	5.14
CT.STB.WH	5.15
CT.STP.GM	5.14
CT.STP.MA	5.14
CT.STP.WH	5.14
CT1000.GM	5.13
CT1000.WT	5.13
CT1200.WT	5.13
CT1200C	4.55
CT2400C	4.55
CT350.WT	5.11
CT400.WT	5.11
CT450.GM	5.12
CT450.MA	5.12
CT450.WT	5.12
CT500.WT	5.12
CT550.WT	5.12
CT600.GM	5.12
CT600.MA	5.12
CT600.WT	5.12
CT700.GM	5.12
CT700.MA	5.12
CT700.WT	5.12
CT800.GM	5.13
CT800.MA	5.13
CT800.WT	5.13
CT900.GM	5.13
CT900.MA	5.13
CT900.WT	5.13
CTS.25L	4.55
CTS.25R	4.55
CTS.50L	4.55
CTS.50R	4.55
CTSC	4.55

Item Code	Page
Codes Starting with D	
D.803	9.34
D3.050	8.21
D3.070	8.21
D9GTD06	9.37
D9GTD08	9.37
D9GTD10	9.37
DB10.20	2.38
DB10.20.D	2.37
DB15	2.38
DB15.D	2.37
DB15.DS	2.37
DB18	2.38
DB18.D	2.37
DB20	2.38
DB20.D	2.37
DKP101	4.47
DKP102	4.47
DKP103	4.47
DKP104	4.47
DMSR30	1.63
DMSR40	1.63
DMSR45	1.63
DOM101	7.11
DOM102	7.11
DOM103	7.11
DOM104	7.11
DOM105	7.11
DOM106	7.11
DOM107	7.11
DOM108	7.11
DOM151	7.17
DOM152	7.17
DOM153	7.17
DOM154	7.17
DOM155	7.17
DOM156	7.17
DOM157	7.17
DOM158	7.17
DOM159	7.17
DOM160	7.17
DOM161	7.17
DOM162	7.17
DOM551	7.29
DOM552	7.29
DOM553	7.29
DOM554	7.29
	7.24, 7.29, 7.36, 7.38, 7.40, 7.51, 7.63, 7.67, 7.71, 7.75, 7.77, 7.79
DOM555	
	7.29, 7.36, 7.38, 7.40, 7.51, 7.67, 7.71, 7.75, 7.77, 7.79
DOM556	
	7.24, 7.29, 7.36, 7.38, 7.40, 7.51, 7.63, 7.67, 7.71, 7.75, 7.77, 7.79
DOM557	

Item Code	Page
DOM558	7.29, 7.36, 7.38, 7.40, 7.51, 7.67, 7.71, 7.75, 7.77, 7.79
DOM559	7.29
DOM560	7.30
DOM561	7.30
DOM562	7.29
DOM563	7.40
DOM564	7.23
DOM565	7.23
DOM566	7.40
DOM567	7.23
DOM568	7.23
DOM569	7.23
DOM570	7.23
DOM571	7.23
DOM572	7.23
DOM573	7.23
DOM574	7.39
DOM575	7.23
DOM576	7.23
DOM577	7.23
DOM578	7.23
DOM579	7.39
DOM580	7.23
DOM581	7.23
DOM582	7.39
DOM583	7.26
DOM584	7.39
DOM585	7.39
DOM586	7.42
DOM587	7.41
DOM588	7.39
DOM589	7.12, 7.18, 7.25, 7.30, 7.34
DOM590	7.12, 7.18, 7.25, 7.30, 7.34
DOM591	7.33
DOM592	7.33
DOM593	7.33
DOM601	7.71
DOM602	7.71
DOM603	7.71
DOM604	7.67, 7.71
DOM605	7.67
DOM606	7.67
DOM607	7.67
DOM608	7.63
DOM609	7.63
DOM611	7.63
DOM612	7.35, 7.37, 7.75, 7.77
DOM613	7.79
DOM614	7.79
DOM617	7.77
DOM618	7.77
DOM619	7.77
DOM620	7.75

Item Code	Page
DOM621	7.75
DOM758	7.84
DOM760	7.12, 7.18, 7.24, 7.26, 7.30, 7.34, 7.42, 7.63, 7.67, 7.71, 7.75, 7.77, 7.79
DOM761	7.12, 7.18, 7.24, 7.26, 7.30, 7.34, 7.42, 7.63, 7.67, 7.71, 7.75, 7.77, 7.79
DOM762	7.24, 7.26, 7.30, 7.34, 7.42, 7.63, 7.67, 7.71, 7.75, 7.77, 7.79
DOM763	7.12, 7.18, 7.25, 7.30, 7.34
DOM767	7.82
DOM769	7.86
DOM770	7.88
DOM771	7.88
DOM772	7.90
DOM773	7.90
DOM774	7.90
DOM775	7.91
DOM776	7.92
DOM777	7.92
DOM801	7.24, 7.32, 7.36, 7.38, 7.40, 7.53, 7.64, 7.67, 7.72, 7.76, 7.78, 7.80
DOM802	7.24, 7.32, 7.36, 7.38, 7.40, 7.53, 7.64, 7.67, 7.72, 7.76, 7.78, 7.80
DOM803	7.24, 7.32, 7.36, 7.38, 7.40, 7.53, 7.64, 7.67, 7.72, 7.76, 7.78, 7.80
DOM804	7.24, 7.32, 7.36, 7.38, 7.40, 7.53, 7.64, 7.67, 7.72, 7.76, 7.78, 7.80
DOM805	7.54
DOM806	7.57
DOM807	7.57
DOM808	7.57
DOM809	7.57
DOM810	7.24, 7.32, 7.36, 7.38, 7.40, 7.53, 7.64, 7.67, 7.72, 7.76, 7.78, 7.80
DOM811	7.24, 7.32, 7.36, 7.38, 7.40, 7.53, 7.64, 7.67, 7.72, 7.76, 7.78, 7.80
DOM812	7.54
DOM813	7.49
DOM814	7.49

Item Code	Page
DOM815	7.49
DOM816	7.49
DOM817	7.58
DOM818	7.58
DOM819	7.57
DOM820	7.57
DOM821	7.57
DOM822	7.57
DOM823	7.58
DOM824	7.53
DOM825	7.53
DOM826	7.24, 7.32, 7.36, 7.38, 7.40, 7.53, 7.64, 7.67, 7.72, 7.76
DOM827	7.24, 7.32, 7.36, 7.38, 7.40, 7.53, 7.64, 7.67, 7.72, 7.76
DOM828	7.24, 7.32, 7.36, 7.38, 7.40, 7.53, 7.64, 7.67, 7.72, 7.76
DOM829	7.53
DOM830	7.53
DOM831	7.49
DOM832	7.49
DOM833	7.49
DOM834	7.49
DOM835	7.45
DOM836	7.45
DOM837	7.45
DOM838	7.45
DOM839	7.46, 7.50
DOM840	7.46, 7.50
DOM841	7.46, 7.50
DR1	9.35
DR1.5	9.35
DR10	9.35
DR116	9.35
DR1164	9.35
DR14	9.35
DR18	9.35
DR18.L	9.35
DR2	9.35
DR2.5	9.35
DR20D	9.35
DR3	9.35
DR3.5	9.35
DR30D	9.35
DR316	9.35
DR332	9.35
DR4	9.35
DR4.5	9.35
DR5	9.35
DR5.5	9.35
DR532	9.35
DR564	9.35
DR6	9.35

Item Code	Page
DR6.5	9.35
DR7	9.35
DR7.5	9.35
DR7.9	9.35
DR764	9.35
DR8	9.35
DR9	9.35
DR9.5	9.35
DR964	9.35
DRH10.L	9.38
DRH10.R	9.38
DRH15.R	9.38
DRH20.R	9.38
DRH25.R	9.38
DRH26.R	9.38
DRH35.R	9.38
DRH40.R	9.38
DRH5.L	9.38
DRH5.R	9.38
DRH8.L	9.38
DRH8.R	9.38
DRM10	9.37
DRM12	9.37
DRM3	9.37
DRM4	9.37
DRM5	9.37
DRM5.5	9.37
DRM6	9.37
DRM6.5	9.37
DRM8	9.37
DR0104	5.17
DR0105	5.17
DR0106	5.17
DR0107	5.17
DR0108	5.17
DR0113	5.17
DR0114	5.17
DR0120	5.10
DSP10G	9.37
DSP12G	9.37
DSP3G	9.37
DSP4G	9.37
DSP5G	9.37
DSP6.5G	9.37
DSP6G	9.37
DSP8G	9.37
DUP45L	1.52
DUP45R	1.52

Codes Starting with E

EB10.CH	2.35
EB10.W	2.35
EB12.CH	2.35
EB12.W	2.35
EB15.CH	2.35
EB15.W	2.35
EB18.CH	2.35
EB18.W	2.35
EB24.CH	2.35

Item Code	Page
EB24.W	2.35
EB6.CH	2.35
EB8.CH	2.35
EBL.CH	2.35
EBL.F.CH	2.35
EBL.WH	2.35
EBL12.CH	2.35
EBL12.F.CH	2.35
EBL12.WH	2.35
EBL8.CH	2.35
EBL8.F.CH	2.35
ES6X11R2	8.22
EZY330	4.30
EZY530	4.30

Codes Starting with F

FB19.15	9.26
FB29.23	9.26
F09041	1.64
F09041.25	1.64
F09042	1.64
F09044	1.64
F09044.25	1.64

Codes Starting with G

GATR2	1.65
GATR3	1.65
GB50.BK	9.26
GB50.RI	9.26
GB50.WL	9.26
GB50.WT	9.26
GB5477	9.26
GB8438	9.26
GDR400.CP	1.59
GDR400CPS	1.59
GDR450.CP	1.59
GDR450CPS	1.59
GDR500.CP	1.59
GDR500CPS	1.59
GDR600.CP	1.59
GDR600CPS	1.59
GDR700.CP	1.59
GDR800.CP	1.59
GDR900.CP	1.59
GDR900CPS	1.59
GDR0250L	1.60
GDR0250W	1.60
GDS045	1.59
GDS050	1.59
GDS060	1.59
GDS090	1.59
GEN001	9.3
GEN002	9.3
GEN003	9.3
GEN004	9.3
GEN005	9.3
GEN006	9.3
GEN007	9.3
GEN008	3.84, 8.20

Item Code	Page
GEN202	5.22
GEN203	5.22
GEN204	5.22
GEN205	5.22
GEN206	5.22
GIA101	1.47, 1.48, 1.49
GLS50.750	1.53
GLS50.750P	1.54
GLS50.850	1.53
GLS50.850P	1.54
GLS75.700P	1.58
GLS75.820P	1.58
GPM260	1.64
GRB010S	5.9
GRB020S	5.9
GRB030S	5.9
GRB050Q	5.9
GRB060Q	5.9
GRB070Q	5.9
GRB070Q.45	5.9
GRB070Q.45	5.9
GRB080Q	5.9
GRB090Q	5.9
GRB101	5.9
GRB102	5.9
GRB103	5.9
GRB104	5.9
GRB105	5.9
GRB450.10	5.3
GRB450.10U	5.7
GRB450.45	5.4
GRB450.50	5.4
GRB450.60	5.4
GRB450.70	5.3
GRB450.70U	5.7
GRB450.80	5.3
GRB450.80U	5.7
GRB450.90	5.3
GRB450.90U	5.7
GRB450B	5.6
GRB450C	5.6
GRB450D	5.8
GRB450E	5.8
GRB450F	5.8
GRB450I	5.6
GRB500.10	5.3
GRB500.10U	5.7
GRB500.45	5.4
GRB500.50	5.4
GRB500.60	5.4
GRB500.70	5.3
GRB500.70U	5.7
GRB500.80	5.3
GRB500.80U	5.7
GRB500.90	5.3
GRB500.90U	5.7
GRB500B	5.6
GRB500C	5.6
GRB500C.2	5.5

Item Code	Page
GRB500D	5.8
GRB500E	5.8
GRB500F	5.8
GRB500I	5.6
GRB550.10	5.3
GRB550.10U	5.7
GRB550.45	5.4
GRB550.50	5.4
GRB550.60	5.4
GRB550.70	5.3
GRB550.70U	5.7
GRB550.80	5.3
GRB550.80U	5.7
GRB550.90	5.3
GRB550.90U	5.7
GRB550B	5.6
GRB550C	5.6
GRB550C.2	5.5
GRB550D	5.8
GRB550E	5.8
GRB550F	5.8
GRB550I	5.6
GS100	4.33
GS120	4.33
GS80	4.33
GSA205.K	4.34
GSA208.K	4.34
GSA210.K	4.34
GSA212 .K	4.34
GSAD77	4.36
GSB405	4.36
GSB420	4.36
GSF205.K	4.34
GSF206.K	4.34
GSF209.K	4.34
GSF212.K	4.34
GSF309.K	4.35
GSF312.K	4.35
GSMR150.S	1.61
GSMR150.SL	1.61
GSMR150D	1.61, 1.62
GSMR150S.3	1.62
GSMR150SLS.3	1.62
GSMR200.S	1.61
GSMR200.SL	1.61
GSMR200D	1.61, 1.62
GSMR200S.3	1.62
GSMR200SLS.3	1.62
GSMR300.S	1.61
GSMR300.SL	1.61
GSMR300150.S	1.61
GSMR300150.SL	1.61
GSMR300D	1.61, 1.62
GSMR300S.3	1.62
GSMR300SLS.3	1.62
GSR0200.CP	1.60
GSR0200.SS.S	1.60
GTR2	1.65
GTSS.23	1.65

Item Code	Page
GTSS.32	1.65
GTSS.39	1.65
GTSS.48	1.65

Codes Starting with H

HPLPLY.GL	9.25
HPLPLY.PR	9.25
HPLPLY.SA	9.25
HSTCT.102	9.39
HSTCT.114	9.39
HSTCT.125	9.39
HSTCT.16	9.39
HSTCT.20	9.39
HSTCT.22	9.39
HSTCT.25	9.39
HSTCT.27	9.39
HSTCT.30	9.39
HSTCT.32	9.39
HSTCT.35	9.39
HSTCT.38	9.39
HSTCT.40	9.39
HSTCT.44	9.39
HSTCT.50	9.39
HSTCT.51	9.39
HSTCT.54	9.39
HSTCT.57	9.39
HSTCT.60	9.39
HSTCT.64	9.39
HSTCT.67	9.39
HSTCT.70	9.39
HSTCT.76	9.39
HSTCT.80	9.39
HSTCT.86	9.39
HSTCT.89	9.39
HSTCT.92	9.39
HX4.30	9.43
HX5.30	9.43
HX5.50	9.43
HX5.30	9.41
HX5.50	9.41

Codes Starting with I

ISC27	8.12
-------	------

Codes Starting with J

JB.10	8.18
JB.20	8.18

Codes Starting with K

KCB45WC	1.51
KCB45WCL	1.51
KLSS.DP	9.20
KLSS.SP	9.20
KLSSG.SP	9.20
KM.HNG.S1	4.31
KM.HNG.S2	4.31
KM.HNG.S3	4.31
KM.HNG.S4	4.31
KM.HNG.S5	4.31

Item Code	Page
KM.HNG16	4.31
KMSS.SP5	9.22
KS34BSC.300	3.93
KS34BSC.350	3.93
KS34BSC.400	3.93
KS34BSC.450	3.93
KS34BSC.500	3.93
KS34BSC.550	3.93
KS34BSC.600	3.93
KS34CS.300	3.91
KS34CS.350	3.91
KS34CS.400	3.91
KS34CS.450	3.91
KS34CS.500	3.91
KS34CS.550	3.91
KS34CS.600	3.91
KS34CU.300	3.97
KS34CU.350	3.97
KS34CU.400	3.97
KS34CU.450	3.97
KS34CU.500	3.97
KS34CU.550	3.97
KS34CU.600	3.97
KS34PCU.300	3.99
KS34PCU.350	3.99
KS34PCU.400	3.99
KS34PCU.450	3.99
KS34PCU.500	3.99
KS34PCU.550	3.99
KS45B.300	3.90
KS45B.350	3.90
KS45B.400	3.90
KS45B.450	3.90
KS45B.500	3.90
KS45B.550	3.90
KS45B.600	3.90
KS45PS.300	3.95
KS45PS.350	3.95
KS45PS.400	3.95
KS45PS.450	3.95
KS45PS.500	3.95
KS45PS.550	3.95
KS45PS.600	3.95
KS45S.250	3.89
KS45S.300	3.89
KS45S.350	3.89
KS45S.400	3.89
KS45S.450	3.89
KS45S.500	3.89
KS45S.550	3.89
KS45S.600	3.89
KS45S.650	3.89
KS45S.700	3.89
KS45S.900	3.89
KSB30L.S	1.49
KSB30WC.S	1.49
KSB40L.S	1.49
KSB40WC.S	1.49
KSB45L.S	1.49

Item Code	Page
KSB45WC.S	1.49
KSB50L.S	1.49
KSB50WC.S	1.49
KSBJ.01	3.101
KTB30L.S	1.48
KTB30WC.S	1.43
KTB40L.S	1.43
KTB40WC.S	1.43
KTB45L.S	1.43
KTB45WC.S	1.43
KTB50L.S	1.43
KTB50WC.S	1.43
KUB30L.S	1.47
KUB30WC.S	1.47
KUB40L.S	1.47
KUB40WC.S	1.47
KUB45L.S	1.47
KUB45WC.S	1.47
KUB50L.S	1.47
KUB50WC.S	1.47
KUSS.SC	9.21
KVS001	2.56
KVS002	2.56
KVS003	2.56
KVS004	2.56
KVS005	2.56
KVS006	2.56

Codes Starting with L

L350.DIV	2.43, 2.47
L350.DIV.W	2.43, 2.47
L600.DIV	2.44
L600.DIV.W	2.44

Codes Starting with M

ML3	9.43
MS2	9.43
MS2L	9.43

Codes Starting with N

NCD.DLX	9.16
NCD.LW8	9.16
NCD.SPC	9.16
NCD.STD	9.16

Codes Starting with O

OTBR1	6.15
OTBR2	6.15
OTCBR	6.15
OV101	8.13
OV102	8.13
OV103	8.13
OV104	8.13
OV105	8.13
OV106	8.13
OV107	8.13
OV108	8.13

Item Code	Page
Codes Starting with P	
PBS	8.22
PC.WT	9.13
PC.WT.PZ	9.13
PH25.EB	4.3
PH25.NP	4.3
PH2SQ250D	9.43
PH2SQ289D	9.43
PJSTY	4.3
PLD.1	9.40
PLD.2	9.40
PLD.3	9.40
PLD.4	9.40
PSAT	2.36
PU140.45S	1.50
PU140.45SL	1.50
PU210.45S	1.50
PU210.45SL	1.50
PU210.50S	1.50
PU210.50SL	1.50
PU210.60S	1.50
PU210.60SL	1.50
PUB45L.I	1.50
PUB45L.O	1.50, 1.63
PUB45WC.I	1.50
PUB45WC.O	1.50, 1.63
PUB50L.I	1.50
PUB50L.O	1.50, 1.63
PUB50WC.I	1.50
PUB50WC.O	1.50, 1.63
PUB60L.I	1.50
PUB60L.O	1.50, 1.63
PUB60WC.I	1.50
PUB60WC.O	1.50, 1.63
PUR105	1.63
PUR170	1.63
PZ1.150	9.42
PZ1.25	9.42
PZ1.50	9.42
PZ1.75	9.42
PZ2.150	9.42
PZ2.25	9.42
PZ2.45D	9.42
PZ2.50	9.42
PZ2.75	9.42
PZT2.25	9.42

Codes Starting with R

R4505.250	3.102
R4505.250BK	3.102
R4505.300	3.102
R4505.300BK	3.102
R4505.350	3.102
R4505.350BK	3.102
R4505.400	3.102
R4505.400BK	3.102
R4505.450BK	3.102
R4505.500BK	3.102
R604S35BBK.M	3.81

Item Code	Page
R604S35BBR.M	3.81
R604S40BBK.M	3.81
R604S40BBR.M	3.81
R604S45BBR.M	3.81
R6RKE11545HTD.WH	3.29
R6RKE11545HTQ.WH	3.29
R6RKE11550HTD.WH	3.29
R6RKE11550HTQ.WH	3.29
R6RKE11555HTD.WH	3.29
R6RKE11555HTQ.WH	3.29
R6RKE8345HS.WH	3.21
R6RKE8345HSD.WH	3.19
R6RKE8345HSDQ.WH	3.19
R6RKE8345HSQ.WH	3.21
R6RKE8345HSS.WH	3.17
R6RKE8345HSSQ.WH	3.17
R6RKE8345MSQ.WH	3.15
R6RKE8345MSQ.WH	3.15
R6RKE8345S.WH	3.11
R6RKE8345T.WH	3.25
R6RKE8350HS.WH	3.21
R6RKE8350HSD.WH	3.19
R6RKE8350HSDQ.WH	3.19
R6RKE8350HSQ.WH	3.21
R6RKE8350HSS.WH	3.17
R6RKE8350HSSQ.WH	3.17
R6RKE8350MS.WH	3.15
R6RKE8350MSQ.WH	3.15
R6RKE8350S.WH	3.11
R6RKE8350T.WH	3.25
R6RKE8355HS.WH	3.21
R6RKE8355HSD.WH	3.19
R6RKE8355HSDQ.WH	3.19
R6RKE8355HSQ.WH	3.21
R6RKE8355HSS.WH	3.17
R6RKE8355HSSQ.WH	3.17
R6RKE8355MS.WH	3.15
R6RKE8355MSQ.WH	3.15
R6RKE8355S.WH	3.11
R6RKE8355T.WH	3.25
R6RKI8345HS.WH	3.23
R6RKI8345HSQ.WH	3.23
R6RKI8345S.WH	3.13
R6RKI8345T.WH	3.27
R6RKI8350HS.WH	3.23
R6RKI8350HSQ.WH	3.23
R6RKI8350S.WH	3.13
R6RKI8350T.WH	3.27
R6RKI8355HS.WH	3.21
R6RKI8355HSQ.WH	3.21
R6RKI8355S.WH	3.13
R6RKI8355T.WH	3.27
R6RKK11545HTD.WH	3.29
R6RKK11545HTQ.WH	3.29
R6RKK11550HTD.WH	3.29
R6RKK11550HTQ.WH	3.29
R6RKK11555HTD.WH	3.29
R6RKK11555HTQ.WH	3.29
R6RKK8345HS.WH	3.21

Item Code	Page
R6RKK8345HSD.WH	3.19
R6RKK8345HSDQ.WH	3.19
R6RKK8345HSQ.WH	3.21
R6RKK8345HSS.WH	3.17
R6RKK8345HSSQ.WH	3.17
R6RKK8345MS.WH	3.15
R6RKK8345MSQ.WH	3.15
R6RKK8345S.WH	3.11
R6RKK8345T.WH	3.25
R6RKK8350HS.WH	3.21
R6RKK8350HSD.WH	3.19
R6RKK8350HSDQ.WH	3.19
R6RKK8350HSQ.WH	3.21
R6RKK8350HSS.WH	3.17
R6RKK8350HSSQ.WH	3.17
R6RKK8350MS.WH	3.15
R6RKK8350MSQ.WH	3.15
R6RKK8350S.WH	3.11
R6RKK8350T.WH	3.25
R6RKK8355HS.WH	3.21
R6RKK8355HSD.WH	3.19
R6RKK8355HSDQ.WH	3.19
R6RKK8355HSQ.WH	3.21
R6RKK8355HSS.WH	3.17
R6RKK8355HSSQ.WH	3.17
R6RKK8355MS.WH	3.15
R6RKK8355MSQ.WH	3.15
R6RKK8355S.WH	3.11
R6RKK8355T.WH	3.25
R6RKS11545HTD.WH	3.29
R6RKS11545HTQ.WH	3.29
R6RKS11550HTD.WH	3.29
R6RKS11550HTQ.WH	3.29
R6RKS11555HTD.WH	3.29
R6RKS11555HTQ.WH	3.29
R6RKS8345HS.WH	3.21
R6RKS8345HSD.WH	3.19
R6RKS8345HSDQ.WH	3.19
R6RKS8345HSQ.WH	3.21
R6RKS8345HSS.WH	3.17
R6RKS8345HSSQ.WH	3.17
R6RKS8345MS.WH	3.15
R6RKS8345MSQ.WH	3.15
R6RKS8345S.WH	3.11
R6RKS8345T.WH	3.25
R6RKS8350HS.WH	3.21
R6RKS8350HSD.WH	3.19
R6RKS8350HSDQ.WH	3.19
R6RKS8350HSQ.WH	3.21
R6RKS8350HSS.WH	3.17
R6RKS8350HSSQ.WH	3.17
R6RKS8350MS.WH	3.15
R6RKS8350MSQ.WH	3.15
R6RKS8350S.WH	3.11
R6RKS8350T.WH	3.25
R6RKS8355HS.WH	3.21
R6RKS8355HSD.WH	3.19
R6RKS8355HSDQ.WH	3.19
R6RKS8355HSQ.WH	3.21

Item Code	Page
R6RKS8355HSS.WH	3.17
R6RKS8355HSSQ.WH	3.17
R6RKS8355MS.WH	3.15
R6RKS8355MSQ.WH	3.15
R6RKS8355S.WH	3.11
R6RKS8355T.WH	3.25
RBC.62230.L01.01	3.32
RBC61040	3.71
RBC66040.LH	3.71
RBC66040.RH	3.71
RBF.21130.GI	3.33
RBF.22131.GI	3.33
RBF.23130.GI	3.33
RBF.52330.01	3.33
RBF.55330.01	3.33
RBF11240.LH	3.71
RBF11240.RH	3.71
RBF12240.LH	3.71
RBF12240.RH	3.71
RBF13240.LH	3.71
RBF13240.RH	3.71
RBF16040.LH	3.71
RBF16040.RH	3.71
RBF17040.LH	3.71
RBF17040.RH	3.71
RBF18040.LH	3.71
RBF18040.RH	3.71
RBF31040.LH	3.47
RBF31040.RH	3.47
RBR.72330.01	3.33
RBR.73330.01	3.33
RBR.75330.01	3.33
RBR72530.01	3.33
RFC.8600	3.59
RFCAP.BK	9.13
RFCAP.WT	9.13
RKE11527HTD.WH	3.29
RKE11527HTQ.WH	3.29
RKE11535HTD.WH	3.29
RKE11535HTQ.WH	3.29
RKE11540HTD.WH	3.29
RKE11540HTQ.WH	3.29
RKE11545HTD.WH	3.29
RKE11545HTQ.WH	3.29
RKE11550HTD.WH	3.29
RKE11550HTQ.WH	3.29
RKE11555HTD.WH	3.29
RKE11555HTQ.WH	3.29
RKE8327HS.WH	3.21
RKE8327HSD.WH	3.19
RKE8327HSDQ.WH	3.19
RKE8327HSQ.WH	3.21
RKE8327HSS.WH	3.17
RKE8327HSSQ.WH	3.17
RKE8327MS.WH	3.15
RKE8327MSQ.WH	3.15
RKE8327S.WH	3.11
RKE8327T.WH	3.25
RKE8335HS.WH	3.21

Item Code	Page
RKE8335HSD.WH	3.19
RKE8335HSDQ.WH	3.19
RKE8335HSQ.WH	3.21
RKE8335HSS.WH	3.17
RKE8335HSSQ.WH	3.17
RKE8335MS.WH	3.15
RKE8335MSQ.WH	3.15
RKE8335S.WH	3.11
RKE8335T.WH	3.25
RKE8340HS.WH	3.21
RKE8340HSD.WH	3.19
RKE8340HSDQ.WH	3.19
RKE8340HSQ.WH	3.21
RKE8340HSS.WH	3.17
RKE8340HSSQ.WH	3.17
RKE8340MS.WH	3.15
RKE8340MSQ.WH	3.15
RKE8340S.WH	3.11
RKE8340T.WH	3.25
RKE8345HS.WH	3.21
RKE8345HSD.WH	3.19
RKE8345HSDQ.WH	3.19
RKE8345HSQ.WH	3.21
RKE8345HSS.WH	3.17
RKE8345HSSQ.WH	3.17
RKE8345MS.WH	3.15
RKE8345MSQ.WH	3.15
RKE8345S.WH	3.11
RKE8345T.WH	3.25
RKE8350HS.WH	3.21
RKE8350HSD.WH	3.19
RKE8350HSDQ.WH	3.19
RKE8350HSQ.WH	3.21
RKE8350HSS.WH	3.17
RKE8350HSSQ.WH	3.17
RKE8350MS.WH	3.15
RKE8350MSQ.WH	3.15
RKE8350S.WH	3.11
RKE8350T.WH	3.25
RKE8355HS.WH	3.21
RKE8355HSD.WH	3.19
RKE8355HSDQ.WH	3.19
RKE8355HSQ.WH	3.21
RKE8355HSS.WH	3.17
RKE8355HSSQ.WH	3.17
RKE8355MS.WH	3.15
RKE8355MSQ.WH	3.15
RKE8355S.WH	3.11
RKE8355T.WH	3.25
RKI8327S.WH	3.13
RKI8327T.WH	3.27
RKI8335HS.WH	3.23
RKI8335HSQ.WH	3.23
RKI8335S.WH	3.13
RKI8335T.WH	3.27
RKI8340HS.WH	3.23
RKI8340HSQ.WH	3.23
RKI8340MS.WH	3.15
RKI8340S.WH	3.13

Item Code	Page
RKI8340T.WH	3.27
RKI8345HS.WH	3.23
RKI8345HSQ.WH	3.23
RKI8345MS.WH	3.15
RKI8345S.WH	3.13
RKI8345T.WH	3.27
RKI8350HS.WH	3.23
RKI8350HSQ.WH	3.23
RKI8350MS.WH	3.15
RKI8350S.WH	3.13
RKI8350T.WH	3.27
RKI8355HS.WH	3.23
RKI8355HSQ.WH	3.23
RKI8355MS.WH	3.15
RKI8355S.WH	3.13
RKI8355T.WH	3.27
RKK11527HTD.WH	3.29
RKK11527HTQ.WH	3.29
RKK11535HTD.WH	3.29
RKK11535HTQ.WH	3.29
RKK11540HTD.WH	3.29
RKK11540HTQ.WH	3.29
RKK11545HTD.WH	3.29
RKK11545HTQ.WH	3.29
RKK11550HTD.WH	3.29
RKK11550HTQ.WH	3.29
RKK11555HTD.WH	3.29
RKK11555HTQ.WH	3.29
RKK8327HS.WH	3.21
RKK8327HSD.WH	3.19
RKK8327HSDQ.WH	3.19
RKK8327HSQ.WH	3.21
RKK8327HSS.WH	3.17
RKK8327HSSQ.WH	3.17
RKK8327MS.WH	3.15
RKK8327MSQ.WH	3.15
RKK8327S.WH	3.11
RKK8327T.WH	3.25
RKK8335HS.WH	3.21
RKK8335HSD.WH	3.19
RKK8335HSDQ.WH	3.19
RKK8335HSQ.WH	3.21
RKK8335HSS.WH	3.17
RKK8335HSSQ.WH	3.17
RKK8335MQ.WH	3.15
RKK8335MS.WH	3.15
RKK8335S.WH	3.11
RKK8335T.WH	3.25
RKK8340HS.WH	3.21
RKK8340HSD.WH	3.19
RKK8340HSDQ.WH	3.19
RKK8340HSQ.WH	3.21
RKK8340HSS.WH	3.17
RKK8340HSSQ.WH	3.17
RKK8340MS.WH	3.15
RKK8340MSQ.WH	3.15
RKK8340S.WH	3.11
RKK8340T.WH	3.25
RKK8345HS.WH	3.21

Item Code	Page
RKK8345HSD.WH	3.19
RKK8345HSDQ.WH	3.19
RKK8345HSQ.WH	3.21
RKK8345HSS.WH	3.17
RKK8345HSSQ.WH	3.17
RKK8345MS.WH	3.15
RKK8345MSQ.WH	3.15
RKK8345S.WH	3.11
RKK8345T.WH	3.25
RKK8350HS.WH	3.21
RKK8350HSD.WH	3.19
RKK8350HSDQ.WH	3.19
RKK8350HSQ.WH	3.21
RKK8350HSS.WH	3.17
RKK8350HSSQ.WH	3.17
RKK8350MS.WH	3.15
RKK8350MSQ.WH	3.15
RKK8350S.WH	3.11
RKK8350T.WH	3.25
RKK8355HS.WH	3.21
RKK8355HSD.WH	3.19
RKK8355HSDQ.WH	3.19
RKK8355HSQ.WH	3.21
RKK8355HSS.WH	3.17
RKK8355HSSQ.WH	3.17
RKK8355MS.WH	3.15
RKK8355MSQ.WH	3.15
RKK8355S.WH	3.11
RKK8355T.WH	3.25
RKP8355P.WH	1.70, 3.35
RKP8355PQ.WH	1.70, 3.35
RKS11527HTD.WH	3.29
RKS11527HTQ.WH	3.29
RKS11535HTD.WH	3.29
RKS11535HTQ.WH	3.29
RKS11540HTD.WH	3.29
RKS11540HTQ.WH	3.29
RKS11545HTD.WH	3.29
RKS11545HTQ.WH	3.29
RKS11550HTD.WH	3.29
RKS11550HTQ.WH	3.29
RKS11555HTD.WH	3.29
RKS11555HTQ.WH	3.29
RKS8327HS.WH	3.21
RKS8327HSD.WH	3.19
RKS8327HSDQ.WH	3.19
RKS8327HSQ.WH	3.21
RKS8327HSS.WH	3.17
RKS8327HSSQ.WH	3.17
RKS8327MS.WH	3.15
RKS8327MSQ.WH	3.15
RKS8327S.WH	3.11
RKS8327T.WH	3.25
RKS8335HS.WH	3.21
RKS8335HSD.WH	3.19
RKS8335HSDQ.WH	3.19
RKS8335HSQ.WH	3.21
RKS8335HSS.WH	3.17
RKS8335HSSQ.WH	3.17
RKS8335MS.WH	3.15
RKS8335MSQ.WH	3.15
RKS8335S.WH	3.11
RKS8335T.WH	3.25
RLD.6700.01	1.70, 3.31
RLP201.000	3.71
RMD.91040	3.73
RMD.91430.25	3.33
RMD.92240	3.73
RMD.930.00	3.74
RME.95540	3.74
RME.95541	3.74
RME.96040	3.74
RME.96041	3.74
RMF.450	3.59
RMF.500	3.59
RMF.550	3.59
RMFC.475	3.59
RMM.97040.AL	3.75

Item Code	Page
RKS8335MS.WH	3.15
RKS8335MSQ.WH	3.15
RKS8335S.WH	3.11
RKS8335T.WH	3.25
RKS8340HS.WH	3.21
RKS8340HSD.WH	3.19
RKS8340HSDQ.WH	3.19
RKS8340HSQ.WH	3.21
RKS8340HSS.WH	3.17
RKS8340HSSQ.WH	3.17
RKS8340MS.WH	3.15
RKS8340MSQ.WH	3.15
RKS8340S.WH	3.11
RKS8340T.WH	3.25
RKS8345HS.WH	3.21
RKS8345HSD.WH	3.19
RKS8345HSDQ.WH	3.19
RKS8345HSQ.WH	3.21
RKS8345HSS.WH	3.17
RKS8345HSSQ.WH	3.17
RKS8345MS.WH	3.15
RKS8345MSQ.WH	3.15
RKS8345S.WH	3.11
RKS8345T.WH	3.25
RKS8350HS.WH	3.21
RKS8350HSD.WH	3.19
RKS8350HSDQ.WH	3.19
RKS8350HSQ.WH	3.21
RKS8350HSS.WH	3.17
RKS8350HSSQ.WH	3.17
RKS8350MS.WH	3.15
RKS8350MSQ.WH	3.15
RKS8350S.WH	3.11
RKS8350T.WH	3.25
RKS8355HS.WH	3.21
RKS8355HSD.WH	3.19
RKS8355HSDQ.WH	3.19
RKS8355HSQ.WH	3.21
RKS8355HSS.WH	3.17
RKS8355HSSQ.WH	3.17
RKS8355MS.WH	3.15
RKS8355MSQ.WH	3.15
RKS8355S.WH	3.11
RKS8355T.WH	3.25
RLD.6700.01	1.70, 3.31
RLP201.000	3.71
RMD.91040	3.73
RMD.91430.25	3.33
RMD.92240	3.73
RMD.930.00	3.74
RME.95540	3.74
RME.95541	3.74
RME.96040	3.74
RME.96041	3.74
RMF.450	3.59
RMF.500	3.59
RMF.550	3.59
RMFC.475	3.59
RMM.97040.AL	3.75

Item Code	Page
RPC.6200.01	1.70, 3.31
RPD2.1092.01	1.70, 3.31
RPF870.1035.01.106	1.70, 3.34, 3.37
RPK8345P.WH	1.70, 3.35
RPK8345PQ.WH	1.70, 3.35
RPK8350P.WH	1.70, 3.35
RPK8350PQ.WH	1.70, 3.35
RRA2.302.01	3.34
RRA2.352.01	3.34
RRA2.402.01	3.34
RRA2.452.01	3.34
RRA2.502.01	3.34
RRA3.172.01	3.34
RRA3.252.01	3.34
RRA3.302.01	3.34
RRA3.352.01	3.34
RRA3.402.01	3.34
RRA3.452.01	3.34
RRANE.251.L	3.55
RRANE.331.L	3.55
RRANE.381.L	3.55
RRANE.431.L	3.55
RRANE.481.L	3.55
RRANE.531.L	3.55
RRC.7200	3.61
RRC.8500	3.62
RRF.1109L	1.67, 3.36, 3.61, 3.62, 6.17
RRF2.1045.01	1.70, 3.34
RSB02.286.WH	3.72
RSB02.336.WH	3.72
RSB02.386.WH	3.72
RSB02.436.WH	3.72
RSB02.536.WH	3.72
RSB02.636.WH	3.72
RSB02.736.WH	3.72
RSB02.836.WH	3.72
RSB32.336.WH	3.72
RSB32.386.WH	3.72
RSB32.436.WH	3.72
RSB32.536.WH	3.72
RSB32.736.WH	3.72
RSB62.286.WH	3.72
RSB62.336.WH	3.72
RSB62.386.WH	3.72
RSB62.436.WH	3.72
RSB62.536.WH	3.72
RSB62.636.WH	3.72
RSB62.736.WH	3.72
RSB62.836.WH	3.72
RSC.2530	3.82
RSE.064.350	3.57
RSE.064.400	3.57
RSE.064.450	3.57
RSE.064.500	3.57
RSE.064.550	3.57
RSE.128.350	3.57
RSE.128.400	3.57
RSE.128.450	3.57

Item Code	Page
RSE.128.500	3.57
RSE.128.550	3.57
RSE2.HD.323.01	3.34
RSE2.HD.373.01	3.34
RSE2.HD.423.01	3.34
RSE2.HD.473.01	3.34
RSE2.HD.523.01	3.34
RSE2.HG.000.01	3.34
RSP-HA.317.01	3.34
RSP-HA.367.01	3.34
RSP-HA.417.01	3.34
RSP-HA.467.01	3.34
RSP-HA.517.01	3.34

Codes Starting with S

S6007AD8	4.29
S6007BD8	4.29
S6008AD8	4.29
S6009AD8	4.29
S6009BD8	4.29
S6009CD8	4.29
S600CC	4.29
SAL011	3.103
SAL012	3.103
SAL013	3.103
SAL014	3.103
SAL016	3.103
SAL017	3.103
SAL130	4.27
SAL131	4.27
SAL132	4.27
SAL133	4.27
SAL134	4.27
SAL135	4.24
SAL201	4.9
SAL202	4.9
SAL203	4.9
SAL204	4.9
SAL205	4.9
SAL206	4.9
SAL207	4.9
SAL208	4.9
SAL209	4.9
SAL210	4.9
SAL211	4.15
SAL212	4.15
SAL213	4.15
SAL214	4.15
SAL215	4.18
SAL216	4.18
SAL217	4.18
SAL218	4.18
SAL219	4.18
SAL220	4.18
SAL221	4.18
SAL222	4.18
SAL223	4.17
SAL224	4.17
SAL225	4.17

Item Code	Page
SAL226	4.17
SAL227	4.23
SAL228	4.23
SAL229	4.23
SAL230	4.23
SAL231	4.24
SAL232	4.24
SAL234	4.24
SAL235	4.24
SAL236	4.24
SAL237	4.24
SAL238	4.24
SAL239	4.24
SAL240	4.24
SAL241	4.49
SAL242	4.49
SAL243	4.49
SAL244	4.49
SAL245	4.11
SAL246	4.11
SAL247	4.11
SAL248	4.11
SAL249	4.9
SAL250	4.9
SAL251	4.9
SAL252	4.9
SAL253	4.9
SAL254	4.15
SAL255	4.15
SAL256	4.17
SAL257	4.17
SAL258	4.18
SAL259	4.18
SAL260	4.18
SAL261	4.13
SAL262	4.13
SAL263	4.13
SAL264	4.13
SAL267	4.51
SAL268	4.51
SAL269	4.51
SAL270	4.51
SAL271	4.51
SAL272	4.24
SAL299	4.23
SAL401	4.37
SAL402	4.37
SAL412	4.38
SAL413	4.38
SAL414	4.38
SAL415	4.38
SAL421	4.37
SAL422	4.37
SAL423	4.37
SAL424	4.37
SAL425	4.37
SAL501	4.41
SAL502	4.41
SAL503	4.41

Item Code	Page	Item Code	Page	Item Code	Page
SAL504	4.41	SL5.50	9.43	T236SC.50.0101.S01	3.32
SAL505	4.41	SL6.25	9.43	T236SC.55.0101.S01	3.32
SAL506	4.41	SL6.50	9.43	T236SC.55.0101.S01	3.32
SAL521	4.57	SL8.50	9.43	T253C.27.0101.S01	3.32
SAL522	4.57	SM13	9.36	T253C.35.0101.S01	3.32
SAL551	4.45	SM25	9.36	T253C.40.0101.S01	3.32
SAL552	4.45	SQ1.100	9.41	T253C.45.0101.S01	3.32
SAL553	4.45	SQ1.150	9.41	T253C.50.0101.S01	3.32
SAL554	4.45	SQ1.25	9.41	T253C.55.0101.S01	3.32
SAL701	4.19	SQ1.50	9.41	TB110.30DS	2.29
SAL702	4.19	SQ1.75	9.41	TB110.30HS	2.29
SAL703	4.19	SQ2.100	9.41	TB11016.30DP	2.29
SAL704	4.19	SQ2.150	9.41	TB11016.30DS	2.29
SAL705	4.21	SQ2.25	9.41	TB11016.30HS	2.29
SAL706	4.21	SQ2.45D	9.41	TB112.30DS	2.29
SAL707	4.21	SQ2.50	9.41	TB112.30HS	2.29
SAL708	4.21	SQ2.75	9.41	TB11218.30DP	2.29
SAL709	4.22	SSB.S	9.19	TB11218.30DS	2.29
SAL710	4.22	SSC	9.19	TB11218.30HS	2.29
SAL711	4.22	SSR1000	9.27	TB115.30DS	2.30
SAL712	4.22	SSR300	9.27	TB115.30HS	2.30
SAL713	4.22	SSR600	9.27	TB115.DS	2.27
SAL714	4.22	SSS	9.19	TB115.HS	2.27
SAL715	4.22	SSW	9.19	TB11516.30DS	2.28
SAL716	4.22	SSZ	9.19	TB11516.30HS	2.28
SAL717	4.19	ST.300.GM	5.16	TB11526.DP	2.26
SAL718	4.19	ST.300.MA	5.16	TB11526.DS	2.26
SAL719	4.21	ST.300.WT	5.16	TB11526.HS	2.26
SAL720	4.21	ST.400.GM	5.16	TB118.30DS	2.30
SAL721	4.22	ST.400.MA	5.16	TB118.30HS	2.30
SAL722	4.22	ST.400.WT	5.16	TB118.DS	2.27
SAL723	4.22	ST.500.GM	5.16	TB118.HS	2.27
SAL724	4.22	ST.500.MA	5.16	TB11818.30DS	2.28
SAL725	4.2	ST.500.WT	5.16	TB11818.30HS	2.28
SAL726	4.2	ST.600.GM	5.16	TB11828.DP	2.26
SAL727	4.2	ST.600.MA	5.16	TB11828.DS	2.26
SAL728	4.2	ST.600.WT	5.16	TB11828.HS	2.26
SAL801	4.52	STK101	10.5	TB124.30DS	2.30
SAL802	4.52	STK102	10.5	TB124.30HS	2.30
SAL803	4.52	STK103	10.5	TB124.DS	2.27
SAL804	4.52	STK104	10.5	TB124.HS	2.27
SAL805	4.52	STK105	10.4	TB18.20DS	2.31
SB45	8.20	STK106	10.4	TB18.20HS	2.31
SB90	8.20	STK107	10.5	TB210.30DP	2.28
SC2075	3.106	STK108	10.5	TB210.30DS	2.28
SC2082	3.106	STS.BL	9.28	TB210.30DS.W	2.28
SC2082.WH	3.106	STS.EXT.BL	9.28	TB210.30HS	2.28
SC21841	3.105	STS.PVC.BL	9.28	TB212.30DP	2.28
SC21913	3.105			TB212.30DS	2.28
SC21914	3.105			TB212.30DS.W	2.28
SCA104	3.106	Codes Starting with T		TB212.30HS	2.28
SCA952	3.106	T233SC.27.0101.S01	3.32	TB215.DP	2.25
SCL.150	9.9	T233SC.35.0101.S01	3.32	TB215.DS	2.25
SCL.BPS	9.9	T233SC.40.0101.S01	3.32	TB215.DS.W	2.25
SCL.DBB	9.9	T233SC.45.0101.S01	3.32	TB215.HS	2.25
SCL.TCK	9.10	T233SC.50.0101.S01	3.32	TB218.DP	2.25
SCP01	9.33	T233SC.55.0101.S01	3.32	TB218.DS	2.25
SDJPS	10.8	T236SC.45.0101.S01	3.32	TB218.DS.W	2.25
SL5.25	9.43	T236SC.45.0101.S01	3.32	TB218.HS	2.25
		T236SC.50.0101.S01	3.32		

Item Code	Page	Item Code	Page	Item Code	Page
TB224.DP	2.25	TBT35.212W	2.18	TBT800.T	2.43
TB224.DS	2.25	TBT35.215	2.17	TBT800.T.W	2.43
TB224.DS.W	2.25	TBT35.215W	2.17	TH48A	9.34
TB224.HS	2.25	TBT35.218	2.17	TKS8350S.GM	2.34
TB26.20DS	2.31	TBT35.218W	2.17	TKS8350S.WH	2.34, 2.53, 2.54
TB26.20HS	2.31	TBT35.36	2.18	TMJ.FP	9.29
TB28.20DS	2.31	TBT35.38	2.18	TMJ.RB	9.29
TB28.20HS	2.31	TBT35.40LW	2.49	TMJ.ST	9.29
TB28.30DS	2.30	TBT40.11526	2.16	TMS30	9.27
TB28.30HS	2.30	TBT40.11828	2.16	TMTT3	9.27
TB28.DS	2.27	TBT40.12428	2.16	TMTT5	9.27
TB28.HS	2.27	TBT40.215	2.16	TMTT8	9.27
TB38.30DS	2.28	TBT40.215W	2.16	TP.2312	9.30
TB38.30HS	2.28	TBT40.218	2.16	TP.DB12	9.30
TB40L.30DS	2.54	TBT40.218W	2.16	TP.DB18	9.30
TB40L.45DS	2.51	TBT40.224	2.16	TP.FA214	9.30
TB46.DP	2.26	TBT40.224W	2.16	TP.GFA68	9.30
TB46.DS	2.26	TBT40.40LW	2.48	TP.PLJ57	9.30
TB46.HS	2.26	TBT45.11526	2.14	TP1934	9.30
TB48.DP	2.26	TBT45.11828	2.14	TR.DW	9.23
TB48.DS	2.26	TBT45.12428	2.14	TR.DWSP	9.23
TB48.HS	2.26	TBT45.215	2.14	TRBR.SP	9.23
TB50.DS	2.24	TBT45.215W	2.14	TRCSP25	9.23
TB50.HS	2.24	TBT45.218	2.14	TRSC.M512	9.23
TB50.L.DS	2.52	TBT45.218W	2.14	TRS.207	3.35
TB50.L.HS	2.52	TBT45.224	2.14	TS.L	9.33
TB65L.DP	2.53	TBT45.224W	2.14	TS.R	9.33
TB65L.DS	2.53	TBT45.240L.BW	2.48	TS.S	9.33
TB65L.HS	2.53	TBT45.240L.W	2.48	TS08.10	9.38
TBDJ	2.36	TBT45.50W	2.15	TS08.12	9.38
TBE.400.T.W	2.48	TBT45.65L	2.47	TS08.16	9.38
TBE350.T.W	2.49	TBT45.65LW	2.47	TS08.20	9.38
TBF.CD	2.36	TBT450.T	2.47	TS08.22	9.38
TBF11818	2.34	TBT450.T.W	2.47	TS08.25	9.38
TBF11828	2.34	TBT60.100L	2.44	TS08.32	9.38
TBF210	2.34	TBT60.100L.F.WH	2.46	TS08.EXT150	9.44
TBF212	2.34	TBT60.100LW	2.44	TS08.EXT300	9.44
TBF215	2.34	TBT60.21526	2.13	TSP.215.40D.S	2.22
TBF215.W	2.34	TBT60.21828	2.13	TSP.215.45D.S	2.22
TBF21526	2.34	TBT60.22428	2.13	TSP.218.40D.S	2.22
TBF218	2.34	TBT60.240L.BW	2.45	TSP.218.45D.S	2.22
TBF218.W	2.34	TBT60.240L.W	2.45	TSP.224.40D.S	2.22
TBF21828	2.34	TBT60.410	2.13	TSP.224.45D.S	2.22
TBF224	2.34	TBT60.410W	2.13	TSP65L.40DS	2.52
TBF224.W	2.34	TBT60.412	2.13	TSP65L.45DS	2.51
TBF40L.30	2.54	TBT60.412W	2.13	TSS.10L	9.33
TBF65L.40	2.53	TBT60.66	2.13	TSS.10R	9.33
TBM215.HS	2.25	TBT60.68	2.13	TVD45.40.165	1.67, 3.85, 6.17
TBT30.210	2.19	TBT600.B	2.46	TVD45.40.229	1.67, 3.85, 6.17
TBT30.210W	2.19	TBT600.T	2.44	TVD45.40.293	1.67, 3.85, 6.17
TBT30.212	2.19	TBT600.T.W	2.44, 2.45, 2.46	TVD45.50.165	1.67, 3.85
TBT30.212W	2.19	TBT80.130L	2.43	TVD45.50.229	1.67, 3.85
TBT35.11516	2.18	TBT80.130LW	2.43	TVD45.50.293	1.67, 3.85
TBT35.11818	2.18	TBT80.415	2.12	TVD60.40.165	1.67, 3.85, 6.17
TBT35.11828	2.17	TBT80.415W	2.12	TVD60.40.229	1.67, 3.85, 6.17
TBT35.12418	2.18	TBT80.418	2.12	TVD60.40.293	1.67, 3.85, 6.17
TBT35.210	2.18	TBT80.418W	2.12	TVD60.50.165	1.67, 3.85
TBT35.210W	2.18	TBT80.424	2.12	TVD60.50.229	1.67, 3.85
TBT35.212	2.18	TBT80.424W	2.12	TVD60.50.293	1.67, 3.85

Item Code	Page
TWB.BRK.20	2.36
TWB.BRK.30	2.36
TWB.BRK.35	2.36

Codes Starting with U

UT.300.GM	5.19
UT.300.MA	5.19
UT.300.WT	5.19
UT.400.GM	5.19
UT.400.MA	5.19
UT.400.WT	5.19
UT.450.GM	5.19
UT.450.MA	5.19
UT.450.WT	5.19
UT.500.GM	5.19
UT.500.MA	5.19
UT.500.WT	5.19
UT.600.GM	5.19
UT.600.MA	5.19
UT.600.WT	5.19

Codes Starting with V

VS101	1.8
VS102	1.8
VS103	1.8
VS104	1.8
VS105	1.8
VS106	1.8
VS107	1.8
VS108	1.8
VS204	1.28
VS205	1.28
VS206	1.28
VS207	1.28
VS210	1.30
VS211	1.30
VS212	1.30
VS213	1.30
VS214	1.30
VS215	1.30
VS216	1.12
VS217	1.12
VS218	1.12
VS219	1.12
VS220	1.12
VS221	1.12
VS222	1.10
VS223	1.10
VS224	1.10
VS225	1.10
VS501	1.14
VS502	1.14
VS503	1.14
VS90.P	1.32
VS90.PC.72	1.32
VS90.S	1.32
VS90.SC.72	1.32
VS15.S.C	1.15
VSIB.D	1.42

Item Code	Page
VSIC	1.42
VSK300	1.20
VSK400	1.20
VSL45.EH.A	1.22
VSL45.EH.P	1.22
VSL45.EH.S	1.22
VSL45.H.A	1.22
VSL45.H.P	1.22
VSL45.H.S	1.22
VSL45.S.A	1.22
VSL45.S.P	1.22
VSL45.S.S	1.22
VSL60.EH.A	1.22
VSL60.EH.P	1.22
VSL60.EH.S	1.22
VSL60.H.A	1.22
VSL60.H.P	1.22
VSL60.H.S	1.22
VSL60.S.A	1.22
VSL60.S.P	1.22
VSL60.S.S	1.22
VSM.150.A	1.38
VSM.150.D	1.41
VSM.150.P	1.38
VSM.150.S	1.38
VSM.200.A	1.38
VSM.200.D	1.41
VSM.200.P	1.38
VSM.200.S	1.38
VSM.300.A	1.38
VSM.300.D	1.41
VSM.300.P	1.38
VSM.300.S	1.38
VSM.400.A	1.38
VSM.400.P	1.38
VSM.400.S	1.38
VSM.DETR	1.38
VSMB.150.A	1.38
VSMB.150.P	1.38
VSMB.150.S	1.38
VSMB.200.A	1.38
VSMB.200.P	1.38
VSMB.200.S	1.38
VSMB.300.A	1.38
VSMB.300.P	1.38
VSMB.300.S	1.38
VSMB.400.A	1.38
VSMB.400.P	1.38
VSMB.400.S	1.38
VSMC.80L.S	1.26
VSMC.80R.S	1.26
VSMC.90L.A	1.26
VSMC.90L.P	1.26
VSMC.90L.S	1.26
VSMC.90R.A	1.26
VSMC.90R.P	1.26
VSMC.90R.S	1.26
VSP30.EH.A	1.18
VSP30.EH.P	1.19

Item Code	Page
VSP30.EH.S	1.20
VSP30.H.A	1.18
VSP30.H.P	1.19
VSP30.H.S	1.20
VSP30.M.A	1.18
VSP30.M.P	1.19
VSP30.M.S	1.20
VSP30.S.A	1.18
VSP30.S.P	1.19
VSP30.S.S	1.20
VSP40.EH.A	1.18
VSP40.EH.P	1.19
VSP40.EH.S	1.20
VSP40.H.A	1.18
VSP40.H.P	1.19
VSP40.H.S	1.20
VSP40.M.A	1.18
VSP40.M.P	1.19
VSP40.M.S	1.20
VSP40.S.A	1.18
VSP40.S.P	1.19
VSP40.S.S	1.20
VSP45.EH.A	1.18
VSP45.EH.P	1.19
VSP45.H.A	1.18
VSP45.H.P	1.19
VSP45.M.A	1.18
VSP45.M.P	1.19
VSP45.S.A	1.18
VSP45.S.P	1.19
VSP50.EH.A	1.18
VSP50.EH.P	1.19
VSP50.H.A	1.18
VSP50.H.P	1.19
VSP50.M.A	1.18
VSP50.M.P	1.19
VSP50.S.A	1.18
VSP50.S.P	1.19
VSPU.150.BT	1.40
VSPU.150.DIV	1.40
VSPU.150.HT	1.40
VSPU.150.PB	1.40
VSPU.150L.OH	1.41
VSPU.150R.OH	1.41
VSPU.200L.OH	1.41
VSPU.200R.OH	1.41
VSPU.300L.OH	1.41
VSPU.300R.OH	1.41
VSPU.350L.OH	1.41
VSPU.350R.OH	1.41
VSPU.400L.OH	1.41
VSPU.400R.OH	1.41
VSRM.80.2	1.34
VSRM.90.1	1.34
VSRM.90.2	1.34
VST45.EH.A	1.24
VST45.EH.P	1.24
VST45.EH.S	1.24
VST45.H.A	1.24

Item Code	Page
VST45.H.P	1.24
VST45.H.S	1.24
VST45.M.A	1.24
VST45.M.P	1.24
VST45.M.S	1.24
VST50.EH.A	1.24
VST50.EH.P	1.24
VST50.EH.S	1.24
VST50.H.A	1.24
VST50.H.P	1.24
VST50.H.S	1.24
VST50.M.A	1.24
VST50.M.P	1.24
VST50.M.S	1.24
VST60.EH.A	1.24
VST60.EH.P	1.24
VST60.EH.S	1.24
VST60.H.A	1.24
VST60.H.P	1.24
VST60.H.S	1.24
VST60.M.A	1.24
VST60.M.P	1.24
VST60.M.S	1.24
VSW15.S.C	1.16
VSWD.10.S	1.36
VSWD.12.S	1.36
VSWD.40.S	1.36
VSWD.45.S	1.36
VSWD.50.S	1.36
VSWD.60.S	1.36
VSWD.80.S	1.36
VSWD.90.S	1.36
VSWD.FMK	1.36
VWB001	2.40
VWB002	2.40
VWB003	2.40
VWB004	2.40
VWB005	2.40
VWB008	2.38, 2.48

Codes Starting with W

WCOV	3.83
WCT.45.GY	5.20
WCT.45.UT	5.20
WCT.45.WH	5.20
WCT.60.GY	5.20
WCT.60.WH	5.20
W08	2.38
WRS101	1.74
WRS102	1.74
WRS103	1.74
WRS104	1.74
WRS105	1.74
WRS106	1.74
WRS107	1.74
WRS108	1.74
WRS109	1.74
WSS101	6.3
WSS102	6.3

Item Code	Page
WSS103	6.3
WSS151	6.6
WSS152	6.6
WSS153	6.6
WSS201	6.11
WSS202	6.11
WSS203	6.11
WSS204	6.11
WSS205	6.7
WSS206	6.7
WSS207	6.7, 6.9
WSS208	6.8
WSS209	6.13
WSS210	6.13
WSS211	6.13
WSS212	6.13
WSS213	6.13
WSS214	6.12
WSS215	6.12
WSS216	6.12
WSS217	6.14
WSS218	6.14
WSS219	6.14
WSS220	6.14
WSS221	6.14
WSS501	6.4
WSS502	6.4
WSS701	6.5
WSS702	6.5
WSS801	6.9
WSS802	6.9
WSS803	6.9
WSS804	6.10
WSS805	6.9, 6.10
WSS806	6.9
WSS807	6.9
WSS808	6.9
WSS809	6.9
WSS810	6.8

Codes Starting with Z

Z63S	4.29
Z65S	4.29