

# Bifolding Door Gear

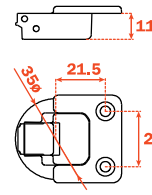
**SALICE**

## Salice Bifolding Door Gear

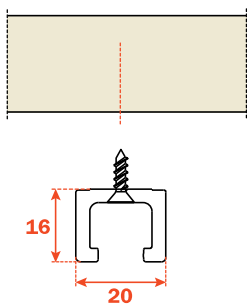
- For bifolding 2 doors to one side
- Must be used with standard Salice hinges and mounts
- Only 80mm loss of space by doors when open
- Easy assembly
- Very quiet



Item Code	Description	Length (mm)
SAL801	Salice Sliding Door Hinge for Sliding Block, Screw On	
SAL802	Salice Sliding Door Bifolding Hinge	
SAL803	Salice Sliding Door Sliding Block	
SAL804	Salice Sliding Door Track, Plastic, Screw On, White	1500
SAL805	Salice Sliding Door Track, Plastic, Screw On, White	3000



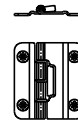
SAL801



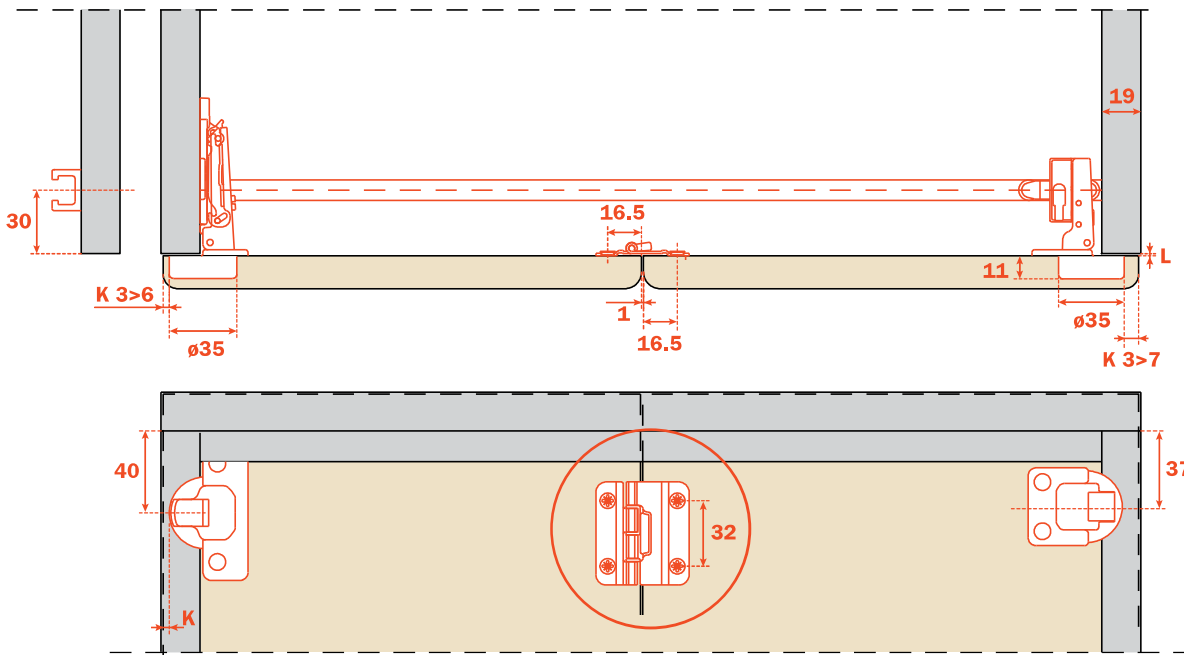
SAL804 SAL805



SAL803



SAL802



Central assembly:  
Narrow part to be mounted on the door which is fixed to the cabinet side  
Wider part to be mounted on the moving door