



# BIFOLDING DOOR SYSTEM

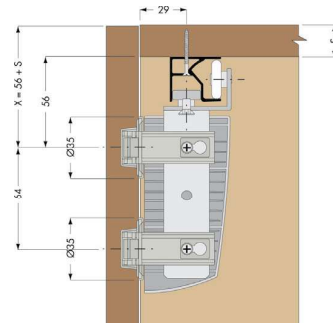
- ✓ Space efficient solution, when doors are open they fold together in a compact form
- ✓ Super smooth and quiet glide with high quality ball bearing rollers
- ✓ Provides full access to cupboard contents
- ✓ Perfect for bi-folding kitchen, pantry and wardrobe doors
- ✓ Italian design and manufactured



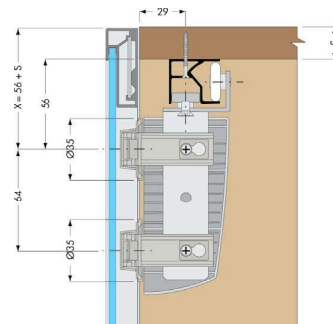
## Bifolding Door System

- Super smooth gliding with ball bearing rollers on sliding block
- Systems for doors up to 50kg
- Suits timber or aluminium framed glass doors

A superior Italian manufactured bifolding door system, this range is high value for money and provides you with a superb solution for bifolding kitchen, pantry and wardrobe doors. Extremely smooth and quiet system ideally suited to kitchen and bedroom fitouts.

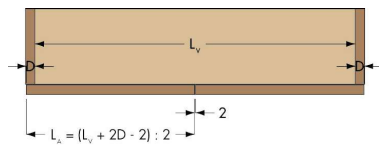


Panel Doors

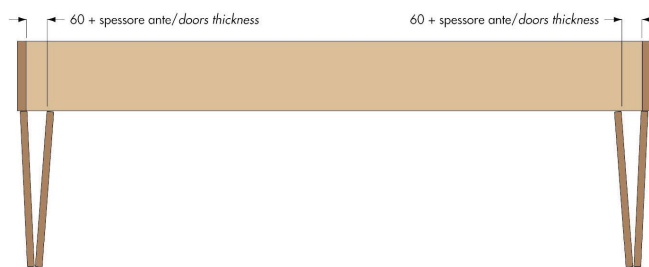
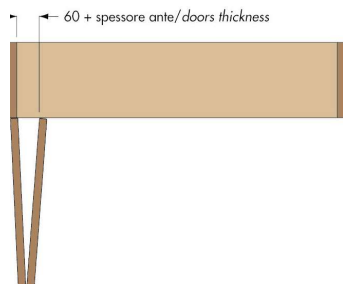
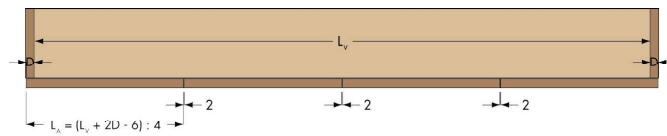


Aluminium Framed Doors

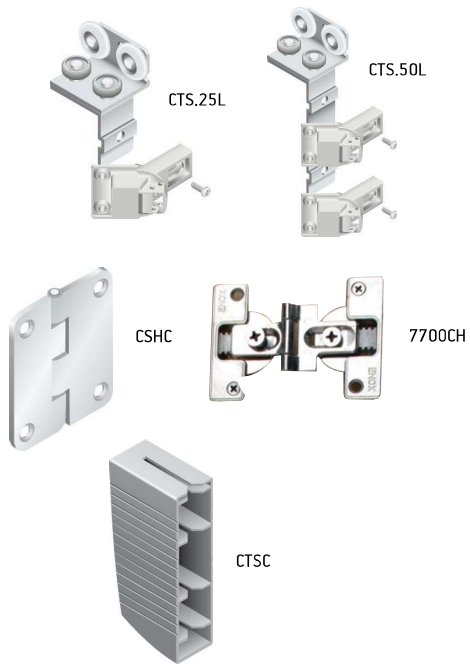
### Single Bifold Set



### Double Bifold Set



# Bifolding Door Gear



Item Code	Description	Sales Unit
CT1200C	Concertina Track 1200mm Aluminium	Ea
CT2400C	Concertina Track 2400mm Aluminium	Ea

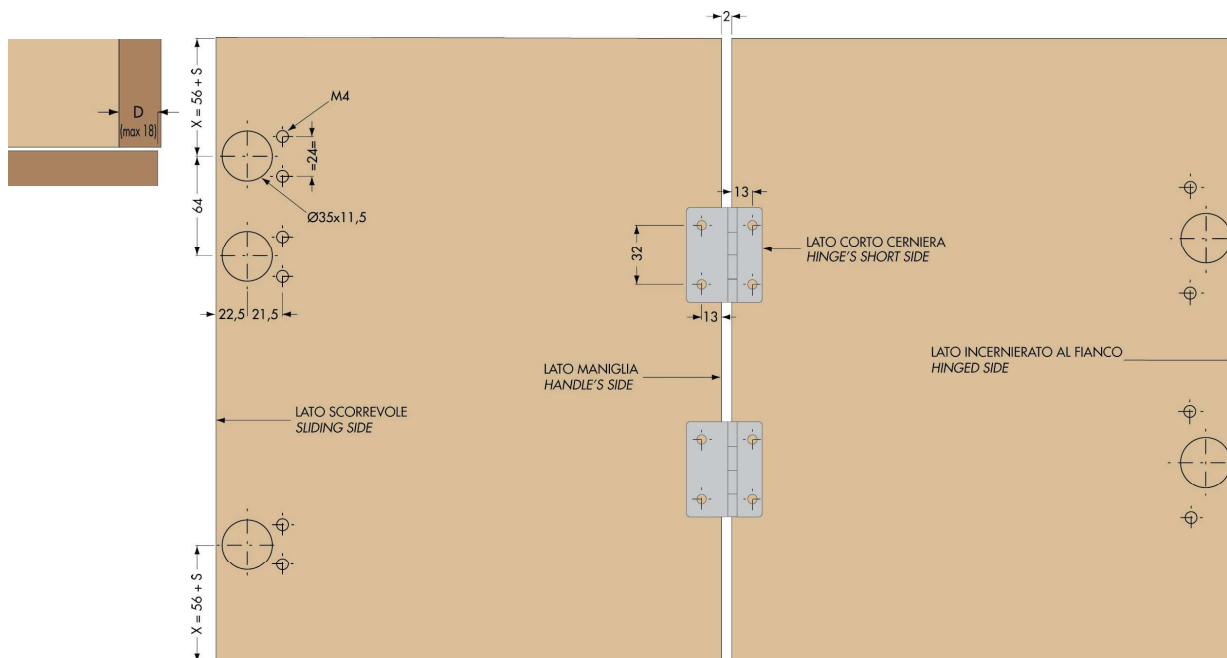
Item Code	Description	Sales Unit
CTS.25L	Concertina slide & hinge 25kg LH	Ea
CTS.25R	Concertina slide & hinge 25kg RH	Ea

Item Code	Description	Sales Unit
CTS.50L	Concertina slide & hinge 50kg LH	Ea
CTS.50R	Concertina slide & hinge 50kg RH	Ea

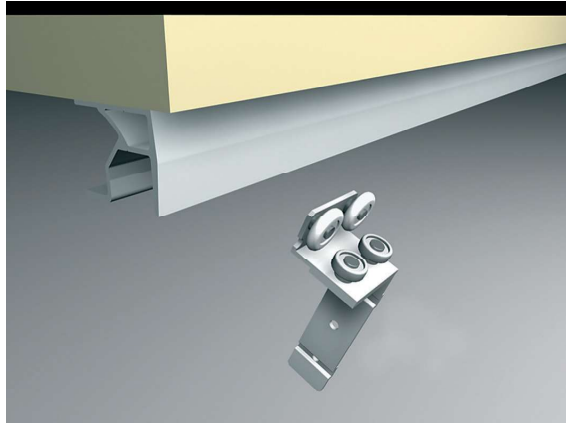
Item Code	Description	Sales Unit
CSHC	Centre bifolding hinge	Ea

Item Code	Description	Sales Unit
7700CH	Twin-Cup Centre Bifold Hinge 52mm c/c Dowel fit	Ea

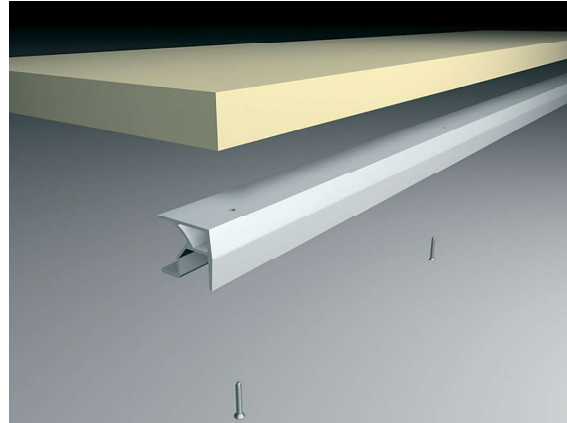
Item Code	Description	Sales Unit
CTSC	Concertina slide cover	Ea



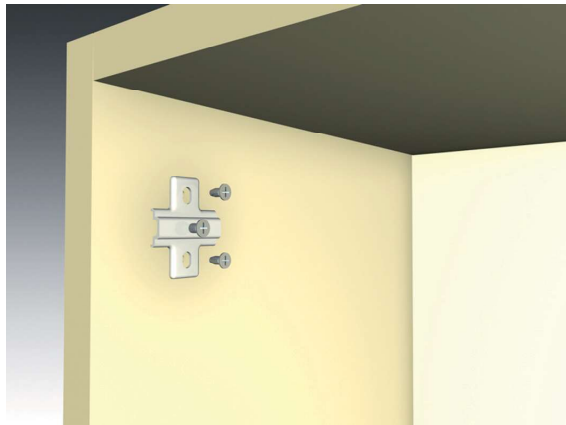
# Bifolding & Sliding Door Gear



1. Insert the sliding block into the track



2. Screw the upper track to the top of the cabinet



3. Screw the hinge mount plate to the side of the cabinet



4. Connect the hinges, previously fixed to the pair of doors



5. Screw the slide hinges to the block



6. Adjust the hinges as needed and apply cover